



ETA-Danmark A/S
Göteborg Plads 1
DK-2150 Nordhavn
Tel. +45 72 24 59 00
Fax +45 72 24 59 04
Internet www.etadanmark.dk

Authorised and notified according
to Article 29 of the Regulation (EU)
No 305/2011 of the European
Parliament and of the Council of 9
March 2011

MEMBER OF EOTA



European Technical Assessment ETA-10/0210 of 02/07/2015

I General Part

Technical Assessment Body issuing the ETA and designated according to Article 29 of the Regulation (EU) No 305/2011: ETA-Danmark A/S

Trade name of the construction product:

Gust. Alberts GmbH & Co. KG post bases type 326, 327, 345, 345VA, 365, 365v, 365VA, 366, 367, 367VA, 369, 370, 375, 376, 393, 394, 395, 396, 397, 398, 399, 401, 451, 472, 476, 480, 481, 566, 569, 577, 579, 580, 581, 583, 655, 665 and 751

Product family to which the above construction product belongs:

Three-dimensional nailing plate (Post bases for the support of timber columns and posts as load-bearing elements)

Manufacturer:

Gust. Alberts GmbH & Co KG
Gewerbegebiet Grünenthal
D-55845 Herscheid
Tel. +49 2357 907 0
Fax +49 2357 907 189
Internet www.gah.de

Manufacturing plant:

HW1, HW2 and HW3

This European Technical Assessment contains:

33 pages including 2 annexes which form an integral part of the document

This European Technical Assessment is issued in accordance with Regulation (EU) No 305/2011, on the basis of:

Guideline for European Technical Approval (ETAG) No. 015 Three Dimensional Nailing Plates, April 2013, used as European Assessment Document (EAD).

This version replaces:

The previous ETA with the same number issued on 2010-08-13 and expiry on 2015-08-13

Translations of this European Technical Assessment in other languages shall fully correspond to the original issued document and should be identified as such.

Communication of this European Technical Assessment, including transmission by electronic means, shall be in full (excepted the confidential Annex(es) referred to above). However, partial reproduction may be made, with the written consent of the issuing Technical Assessment Body. Any partial reproduction has to be identified as such.

II SPECIFIC PART OF THE EUROPEAN TECHNICAL ASSESSMENT

1 Technical description of product and intended use

Technical description of the product

The GAH post bases are made of 4.0 mm to 8.0 mm steel plates. The post bases are produced of steel grade S235JR according to EN 10025-2:2005-04 with a minimum characteristic yield strength of $R_{eH} = 235$ N/mm² and a minimum characteristic tensile strength of $R_m = 360$ N/mm² or of steel grade 1.4301 according to EN 10088-3:2005-09 with a minimum characteristic yield strength of $R_{p0.2} = 190$ N/mm² and a minimum characteristic tensile strength of $R_m = 500$ N/mm².

For the connections with metal fasteners bolts $\phi 10$ mm and $\phi 12$ mm (S235) with minimum characteristic tensile strength of $R_m = 360$ N/mm² and coach screws 8x60 mm and 10x60 mm according to EN 14592 (DIN 571 and thread according to DIN 7998) with minimum characteristic tensile strength of $R_m = 360$ N/mm² are used. The screws shall be driven into pre-drilled holes according to EN 1995-1-1, 10.4.5.

The outer diameter for washers of bolts shall be not less than $3 \cdot d_B$, where d_B is the diameter of the bolts. The thickness shall be not less than $0,3 \cdot d_B$.

For anchorage in the foundation reinforcement bars or steel profiles are used.

Dimensions are shown in Annex A and B.

2 Specification of the intended use in accordance with the applicable EAD

The intended use the post bases is the support of timber columns and posts as load-bearing elements, where requirements for mechanical resistance and stability and safety in use in the sense of the Basic Works Requirements 1 and 4 of Regulation (EU) 305/2011 shall be fulfilled.

The static and kinematical behaviour of the timber members or the supports shall be as described in Annex B.

The timber posts may be of solid timber of strength class C24 or better according to EN 338:2003-09. Minimum dimensions for the post have to be considered (Annex A). The end grain of the timber post

in general must be plane on the base plate of the post base. Post bases type 345, 345VA and 399 may have a clearance between the end grain of the timber post and the base plate of the post base due to constructive wood preservation (maximum 10 mm).

The maximum distance between the foundation and the base plate of the post base shall in general be 50 mm. For post bases type 375, 395, 396, 401, 480, 476, 481, 577, 579, 580, 581 and 583 larger distances are allowed.

Annex B states the load-carrying capacities of the post bases for solid timber of strength class C24 according to EN 338:2003-09. The design of the connections shall be in accordance with Eurocode 3 and Eurocode 5 or a similar national code. The anchorage of the post base in the foundation and imperfections exceeding the assumptions in Eurocode 5, 5.4.4 are not part of this ETA.

The post bases are for use in timber structures subject to the service classes 1, 2 and 3 of Eurocode 5 and for connections subject to static or quasi-static loading. The corrosion protection is given by stainless steel or zinc coating with minimum thickness of 55 μ m according to EN1461. The metal fasteners must also have a zinc coating for the intended use in service class 3 of EN 1995-1-1 (zinc coating Fe/Zn 25c according to EN ISO 2081).

The scope of the post bases regarding resistance to corrosion shall be defined according to national provisions that apply at the installation site considering environmental conditions.

The provisions made in this European Technical Assessment are based on an assumed intended working life of the connectors of 50 years.

The indications given on the working life cannot be interpreted as a guarantee given by the producer or Assessment Body, but are to be regarded only as a means for choosing the right products in relation to the expected economically reasonable working life of the works.

3 Performance of the product and references to the methods used for its assessment

Characteristic	Assessment of characteristic
3.1 Mechanical resistance and stability*) (BWR1)	
Characteristic load-carrying capacity	See Annex B
Stiffness	No performance determined
Ductility in cyclic testing	No performance determined
3.2 Safety in case of fire (BWR2)	
Reaction to fire	The post bases are made from steel classified as Euroclass A1 in accordance with EN 1350-1 and EC decision 96/603/EC, amended by EC Decision 2000/605/EC
3.3 Hygiene, health and the environment (BWR3)	
Influence on air quality	The product does not contain/release dangerous substances specified in TR 034, dated March 2012*)
3.7 Sustainable use of natural resources (BWR7)	
	No Performance Determined
3.8 General aspects related to the performance of the product	
	The post bases have been assessed as having satisfactory durability and serviceability when used in timber structures using the timber species described in Eurocode 5 and subject to the conditions defined by service class 1 and 2
Identification	See Annex A

*) See additional information in section 3.9 – 3.12.

**) In addition to the specific clauses relating to dangerous substances contained in this European technical Assessment, there may be other requirements applicable to the products falling within its scope (e.g. transposed European legislation and national laws, regulations and administrative provisions). In order to meet the provisions of the Construction Products Regulation, these requirements need also to be complied with, when and where they apply.

3.9 Methods of verification

The characteristic load-carrying capacities are based on the characteristic values of the connections with metal fasteners, the steel plates and the timber post.

In the case of timber failure or failure of the metal fasteners, the design values shall be calculated according to EN 1995-1-1 by dividing the characteristic values of the load-carrying capacities by different partial factors for the strength properties in addition multiplied with the coefficient k_{mod} .

In the case of steel failure, the design value shall be calculated according to EN 1993-1-1 by reducing the characteristic values of the load-carrying capacity with different partial factors.

The design value of the load-carrying capacity is the smaller value of both load-carrying capacities:

$$F_{Rd} = \min \left\{ \frac{k_{mod} \cdot F_{Rk,H}}{\gamma_{M,H}}, \frac{F_{Rk,S}}{\gamma_{Mi,S}} \right\}$$

Therefore, for timber failure or failure of the metal fasteners the load duration class and the service class are included. The different partial factors γ_M for steel or timber, respectively, are also correctly taken into account.

3.10 Mechanical resistance and stability

See Annex B for the characteristic load-carrying capacity in the different directions F_1 to F_5 for solid timber of strength class C24 according to EN 338:2003-09. Using the load-carrying capacities of the post bases, the specifications in Annex A must be fulfilled. The end grain of the timber post must in general be plane on the base plate of the post base. Post bases type 345, 345VA and 399 may have a clearance between the end grain of the timber post and the base plate of the post base due to constructive wood preservation (maximum 10 mm).

The characteristic capacities of the post bases are determined by calculation according to Eurocode 3 and Eurocode 5. They should be used for designs in accordance with Eurocode 3 and Eurocode 5 or a similar national code.

GAH Alberts connector screws

In the formulas in Annex B the capacities for coach screws 8x60 mm and 10x60 mm according to EN 14592 (DIN 571 and thread according to DIN 7998) with minimum characteristic tensile strength of $R_m =$

360 N/mm² are used. The screws shall be driven into pre-drilled holes according to EN 1995-1-1, 10.4.5.

No performance has been determined in relation to ductility of a joint under cyclic testing. The contribution to the performance of structures in seismic zones, therefore, has not been assessed.

No performance has been determined in relation to the joint's stiffness properties - to be used for the analysis of the serviceability limit state.

No performance has been determined in relation to the anchorage of the post bases in the foundation. It must be checked by the designer of the structure to ensure it is not less than the post base capacity and, if necessary, the post base capacity reduced accordingly. Therefore the specifications for the lever arms $e_{F2/F3}$ (for load case F_2 / F_3) and $e_{F4/F5}$ (for load case F_4 / F_5) in annex A have to be considered. The lever arm is the distance between the top edge of the foundation and the load.

3.11 Aspects related to the performance of the product

3.11.1 Corrosion protection in service class 1 and 2.

In accordance with ETAG 015 the post bases are made from steel grade S235JR according to EN 10025-2:2005-04 with a minimum characteristic yield strength of $R_{eH} = 235$ N/mm² and a minimum characteristic tensile strength of $R_m = 360$ N/mm²

3.11.2 Corrosion protection in service class 3

In accordance with Eurocode 5 the post bases are made from steel grade 1.4301 according to EN 10088-3:2005-09 with a minimum characteristic yield strength of $R_{p0,2} = 190$ N/mm² and a minimum characteristic tensile strength of $R_m = 500$ N/mm².

3.12 General aspects related to the fitness for use of the product

The performance given in this ETA are based on the following:

- The primary structural member – the post member shown in typical installation page 17 or a beam member - to which the post bases are fixed shall be:
 - Restrained against rotation
 - Capable to transfer the force to the post bases as assumed.
 - Free from wane in areas in contact with the post base.

- The secondary structural member – the concrete support - to which the post bases are fixed shall be:
 - Made from concrete of at least strength class C15, unless otherwise is indicated in annex B of this ETA.
- To ensure sufficient capacity the designer has to take into account splitting of the timber.
- The timber member shall be free from wane.
- There shall be no gap between the timber and the horizontal contact area.
- Otherwise, the gap between the timber member and the post base may not exceed 3 mm.
- There are no specific requirements relating to preparation of the timber members.

The calculations are based on not pre-drilled holes for nails and screws. However, the holes for lag screws, dowels and bolts have to be pre-drilled.

4 Attestation and verification of constancy of performance (AVCP)

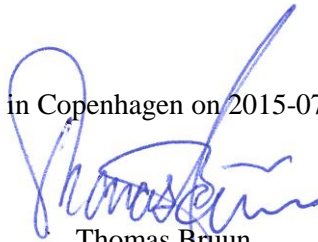
4.1 AVCP system

According to the decision 97/638/EC of the European Commission¹, as amended, the system(s) of assessment and verification of constancy of performance (see Annex V to Regulation (EU) No 305/2011) is 2+.

5 Technical details necessary for the implementation of the AVCP system, as foreseen in the applicable EAD

Technical details necessary for the implementation of the AVCP system are laid down in the control plan deposited at ETA-Danmark

Issued in Copenhagen on 2015-07-02 by



Thomas Bruun
Managing Director, ETA-Danmark

Annex A
Product details and definitions
Table A.1 Specifications of the post bases

Post base		Identification		Metal Fasteners			Post [mm]	Distances [mm]		
Type	Width	Drawing-Nr.	EAN	Bolts	Dowels	Screws	min b/h	max. a	e _{F2/F3}	e _{F4/F5}
326	76	0326 0080 2	213954	-	-	3x Sr 10x60mm	80/95	50	-	-
327	71	0327 0071 2	214234	1x Bo 10mm	-	4x Sr 10x60mm	71/115	50	139	77
	75	0327 0075 2	214241	1x Bo 10mm	-	4x Sr 10x60mm	75/115	50	139	77
	81	0327 0081 2	214258	1x Bo 10mm	-	4x Sr 10x60mm	81/115	50	139	77
	91	0327 0091 2	214265	1x Bo 10mm	-	4x Sr 10x60mm	91/115	50	139	77
	95	0327 0095 2	214272	1x Bo 10mm	-	4x Sr 10x60mm	95/115	50	139	77
	101	0327 0101 2	214289	1x Bo 10mm	-	4x Sr 10x60mm	101/115	50	139	77
	121	0327 0121 2	214296	1x Bo 10mm	-	4x Sr 10x60mm	121/115	50	139	77
	141	0327 0141 2	214302	1x Bo 10mm	-	4x Sr 10x60mm	141/115	50	139	77
345	71	0345 0071 2	212766	2x Bo 10mm	-	-	71/80	-	175	25
	81	0345 0081 2	212780	2x Bo 10mm	-	-	81/80	-	175	25
	91	0345 0091 2	212797	2x Bo 10mm	-	-	91/80	-	175	25
	96	0345 0096 2	212803	2x Bo 10mm	-	-	96/80	-	175	25
	101	0345 0101 2	212810	2x Bo 10mm	-	-	101/80	-	175	25
	111	0345 0111 2	212841	2x Bo 10mm	-	-	111/80	-	175	25
	116	0345 0116 2	212858	2x Bo 10mm	-	-	116/80	-	175	25
	121	0345 0121 2	212827	2x Bo 10mm	-	-	121/80	-	175	25
345 VA	71	0345 0071 2VA	212902	2x Bo 10mm	-	-	71/80	-	175	25
	91	0345 0091 2VA	212919	2x Bo 10mm	-	-	91/80	-	175	25
365	71	0365 0071 2	213800	2x Bo 10mm	-	-	71/80	50	125	77
	81	0365 0081 2	213817	2x Bo 10mm	-	-	81/80	50	125	77
	91	0365 0091 2	213824	2x Bo 10mm	-	-	91/80	50	125	77
	101	0365 0101 2	203917	2x Bo 10mm	-	-	101/80	50	125	77
	111	0365 0111 2	203924	2x Bo 10mm	-	-	111/80	50	125	77
	116	0365 0116 2	203931	2x Bo 10mm	-	-	116/80	50	125	77
	121	0365 0121 2	203948	2x Bo 10mm	-	-	121/80	50	125	77
365 v	91	365v 0091 2	213626	2x Bo 10mm	-	-	91/80	50	130	82
	95	365v 0095 2	213886	2x Bo 10mm	-	-	95/80	50	130	82
	101	365v 0101 2	213831	2x Bo 10mm	-	-	101/80	50	130	82
	111	365v 0111 2	213879	2x Bo 10mm	-	-	111/80	50	130	82
	116	365v 0116 2	213916	2x Bo 10mm	-	-	116/80	50	130	82
	121	365v 0121 2	213848	2x Bo 10mm	-	-	121/80	50	130	82
	141	365v 0141 2	213893	2x Bo 10mm	-	-	141/80	50	130	82
365 VA	91-141	365v 0094 2VA	213701	2x Bo 10mm	-	-	91/80	50	125	-
	91	0365 0091 2VA	213718	2x Bo 10mm	-	-	91/80	50	125	77
366	76	0366 0080 2	214005	-	-	3x Sr 10x60mm	80/95	50	-	-

Continuation of Table A.1 Specifications of the post bases

Post base		Identification		Metal Fasteners			Post [mm]	Distances [mm]		
Type	Width	Drawing-Nr.	EAN	Bolts	Dowels	Screws	min b/h	max. a	e _{F2/F3}	e _{F4/F5}
367	71	0367 0071 2	214043	1x Bo 10mm	-	4x Sr 10x60mm	71/115	50	139	77
	81	0367 0081 2	214067	1x Bo 10mm	-	4x Sr 10x60mm	81/115	50	139	77
	91	0367 0091 2	214074	1x Bo 10mm	-	4x Sr 10x60mm	91/115	50	139	77
	101	0367 0101 2	214098	1x Bo 10mm	-	4x Sr 10x60mm	101/115	50	139	77
	121	0367 0121 2	214104	1x Bo 10mm	-	4x Sr 10x60mm	121/115	50	139	77
	141	0367 0141 2	214111	1x Bo 10mm	-	4x Sr 10x60mm	141/115	50	139	77
367 VA	71	0367 0071 2VA	214203	1x Bo 10mm	-	4x Sr 10x60mm	71/115	50	139	77
	91	0367 0091 2VA	214210	1x Bo 10mm	-	4x Sr 10x60mm	91/115	50	139	77
369	91	0369 0091 2	214401	1x Bo 10mm	-	4x Sr 10x60mm	91/115	50	139	77
	101	0369 0101 2	214418	1x Bo 10mm	-	4x Sr 10x60mm	101/115	50	139	77
	121	0369 0121 2	212711	1x Bo 10mm	-	4x Sr 10x60mm	121/115	50	139	77
	141	0369 0141 2	212728	1x Bo 10mm	-	4x Sr 10x60mm	141/115	50	139	77
	161	0369 0161 2	212896	1x Bo 10mm	-	4x Sr 10x60mm	161/115	50	139	77
370	71-131	0370 0110 2	214494	1x Bo 10mm	-	4x Sr 10x60mm	71/95	50	-	-
375	71-131	0375 0110 2	214500	1x Bo 10mm	-	4x Sr 10x60mm	71/95	75	-	-
393	70	0393 0070 2	215446	-	-	4x Sr 10x60mm	70/70	50	-	-
394	71	0394 0071 2	216740	2x Bo 10mm	-	-	71/80	50	225	74
	75	0394 0075 2	216757	2x Bo 10mm	-	-	75/80	50	225	74
	81	0394 0081 2	216764	2x Bo 10mm	-	-	81/80	50	225	74
	91	0394 0091 2	216771	2x Bo 10mm	-	-	91/80	50	225	74
	96	0394 0096 2	216788	2x Bo 10mm	-	-	96/80	50	225	74
	101	0394 0101 2	216795	2x Bo 10mm	-	-	101/80	50	225	74
	111	0394 0111 2	216818	2x Bo 10mm	-	-	111/80	50	225	74
	116	0394 0116 2	216832	2x Bo 10mm	-	-	116/80	50	225	74
	121	0394 0121 2	216801	2x Bo 10mm	-	-	121/80	50	225	74
	141	0394 0141 2	216825	2x Bo 10mm	-	-	141/80	50	225	74
	91-2	0394 0092 2	216870	2x Bo 10mm	-	-	91/80	50	225	74
395	80	0395 0080 2	217532	-	-	4x Sr 8x60mm	80/80	230	-	-
396	300	0396 0300 2	212674	-	4x Do 10mm	-	120/100	100	218	140
	500	0396 0500 2	212681	-	4x Do 10mm	-	120/100	200	318	240
397	100	0397 0100 2	215453	-	-	-	100/100	-	-	-
398	80	0398 0080 2	215521	4x Bo 10mm	-	-	80/120	50	130	70
399	100	0399 0130 2	215538	4x Bo 10mm	-	-	120/120	-	115	32
401	150	0401 0150 2	212698	-	4x Do 10mm	-	120/100	150	260	173
	200	0401 0200 2	212704	-	4x Do 10mm	-	120/100	200	310	221

Continuation of Table A.1 Specifications of the post bases

Post base		Identification		Metal Fasteners			Post [mm]	Distances [mm]		
Type	Width	Drawing-Nr.	EAN	Bolts	Dowels	Screws	min b/h	max. a	e _{F2/F3}	e _{F4/F5}
451	71	0451 0071 2	217600	1x Bo 10mm	-	4x Sr 10x60mm	71/115	-	135	68
	81	0451 0081 2	217617	1x Bo 10mm	-	4x Sr 10x60mm	81/115	-	135	68
	91	0451 0091 2	217624	1x Bo 10mm	-	4x Sr 10x60mm	91/115	-	135	68
	101	0451 0101 2	217631	1x Bo 10mm	-	4x Sr 10x60mm	101/115	-	135	68
	121	0451 0121 2	217648	1x Bo 10mm	-	4x Sr 10x60mm	121/115	-	135	68
472	91	0472 0091 2	214432	2x Bo 10mm	-	-	91/80	-	265	215
476	70	0476 0000 2	218102	-	-	4x Sr 10x60mm	70/70	150	-	-
	150	0476 0150 2	218119	-	-	4x Sr 10x60mm	150/150	150	-	-
480	-	0480 0000 2	208028	-	-	-	100/100	200	-	-
481	-	0481 0000 2	208035	-	-	-	100/100	56	-	-
566	91	0566 0091 2	219703	2x Bo 10mm	-	-	91/80	50	225	78
569	121	0569 0121 2	219758	1x Bo 10mm	-	4x Sr 10x60mm	121/145	50	135	80
	141	0569 0141 2	219765	1x Bo 10mm	-	4x Sr 10x60mm	141/145	50	135	80
	161	0569 0161 2	219772	1x Bo 10mm	-	4x Sr 10x60mm	161/145	50	135	80
577	150	0577 0100 2	219819	-	-	4x Sr 10x60mm	150/150	95	-	-
	150	0577 0150 2	210823	-	-	4x Sr 10x60mm	150/150	145	-	-
579	100	0579 0100 2	219802	-	-	4x Sr 10x60mm	100/100	95	-	-
	70	0579 0070 2	219826	-	-	4x Sr 8x60mm	70/90	74	-	-
580	71-161	0580 0110 2	218058	1x Bo 10mm	-	4x Sr 10x60mm	71/95	175	-	-
581	71-161	0581 0110 2	219901	1x Bo 10mm	-	4x Sr 10x60mm	71/95	220	-	-
583	70	0583 0000 2	212391	-	-	4x Sr 10x60mm	70/70	175	-	-
655	91	0655 0091 2	219925	2x Bo 10mm	-	-	91/80	50	130	82
	111	0655 0111 2	219949	2x Bo 10mm	-	-	111/80	50	130	82
	116	0655 0116 2	208417	2x Bo 10mm	-	-	116/80	50	130	82
	121	0655 0121 2	208424	2x Bo 10mm	-	-	121/80	50	130	82
	141	0655 0141 2	208431	2x Bo 10mm	-	-	141/80	50	130	82
665	116	0665 0116 2	208448	2x Bo 12mm	-	-	116/100	50	210	107
	121	0665 0121 2	205003	2x Bo 12mm	-	-	121/100	50	210	107
	141	0665 0141 2	205010	2x Bo 12mm	-	-	141/100	50	210	107
	161	0665 0161 2	208455	2x Bo 12mm	-	-	161/100	50	210	107
751	71	0751 0071 2	208509	1x Bo 10mm	-	4x Sr 10x60mm	71/115	50	185	118
	81	0751 0081 2	208516	1x Bo 10mm	-	4x Sr 10x60mm	81/115	50	185	118
	91	0751 0091 2	208523	1x Bo 10mm	-	4x Sr 10x60mm	91/115	50	185	118
	101	0751 0101 2	208530	1x Bo 10mm	-	4x Sr 10x60mm	101/115	50	185	118
	121	0751 0121 2	208547	1x Bo 10mm	-	4x Sr 10x60mm	121/115	50	185	118

Table A.2 Specifications of the metal fasteners according to EN 14592

Fastener type (S235)	Size (mm)			Finish
	Diameter	Length	Thickness	
Dowels	10 mm			Galvanic zinc coating
Bolts	10, 12 mm			Galvanic zinc coating
Washers	30, 36 mm		3, 3.6 mm	Galvanic zinc coating
Screws	8, 10 mm	60 mm		Galvanic zinc coating

The load-carrying-capacities of the metal fasteners were calculated according to Eurocode 5 for lateral loads. The contribution to the load-carrying capacity due to the rope effect was considered according to Eurocode 5.

Annex B
Characteristic load-carrying capacities

Table B.1 Characteristic load-carrying capacities for post bases

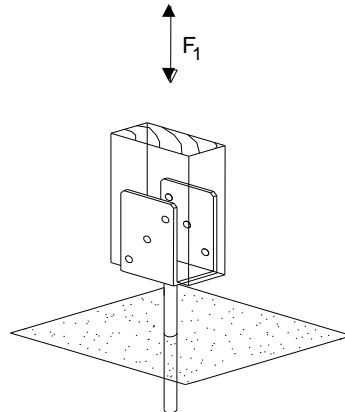
Post Base		F ₁ (Compression)			F ₁ (Tension)			F ₂₃			F ₄₅	
Type	Width	Timber	Steel		Timber	Steel		Timber	Steel		Timber	Steel
326	76	61,7	-	33,8	4,46	2,81	3,45	-	-	-	-	-
		γ_m	-	$\gamma_{m,0}$	γ_m	$\gamma_{m,0}$	$\gamma_{m,2}$	-	-	-	-	-
327	71	56,1	-	48,3	8,91	6,28	6,90	5,94	-	2,11	11,7	5,58
	75	58,6	-	48,3	8,91	5,74	6,90	5,94	-	2,11	12,3	5,58
	81	62,4	-	48,3	8,91	5,09	-	5,94	-	2,11	12,3	5,58
	91	68,7	-	48,3	8,91	4,28	-	5,94	-	2,11	12,3	5,58
	95	71,2	-	48,3	8,91	4,03	-	5,94	-	2,11	12,3	5,58
	101	75,0	-	48,3	8,91	3,69	-	5,94	-	2,11	12,3	5,58
	121	87,6	-	48,3	8,91	2,90	-	5,94	-	2,11	12,3	5,58
	141	100,2	-	48,3	8,91	2,38	-	5,94	-	2,11	12,3	5,58
			γ_m	-	$\gamma_{m,0}$	γ_m	$\gamma_{m,0}$	$\gamma_{m,2}$	γ_m	-	$\gamma_{m,2}$	γ_m
345	71	23,2	-	27,6	12,7	6,36	-	8,17	1,32	-	7,81	2,57
	81	23,2	-	27,6	12,7	7,41	-	9,32	1,32	-	7,81	2,57
	91	23,2	-	27,6	12,7	8,86	-	10,5	1,32	-	7,81	2,57
	96	23,2	-	27,6	12,7	9,82	-	10,7	1,32	-	7,81	2,57
	101	23,2	-	27,6	12,7	11,0	-	10,7	1,32	-	7,81	2,57
	111	23,2	-	27,6	12,7	14,6	-	10,7	1,32	-	7,81	2,57
	116	23,2	-	27,6	12,7	16,9	-	10,7	1,32	-	7,81	2,57
	121	23,2	-	27,6	12,7	17,1	-	10,7	1,32	-	7,81	2,57
			γ_m	-	$\gamma_{m,1}$	γ_m	$\gamma_{m,0}$	-	γ_m	$\gamma_{m,0}$	-	γ_m
345 VA	71	23,2	-	26,3	12,7	5,14	-	8,17		1,08	8,17	3,13
	91	23,2	-	26,3	12,7	5,14	-	10,5		1,08	9,76	3,13
			γ_m	-	$\gamma_{m,1}$	γ_m	$\gamma_{m,0}$	-	γ_m	-	$\gamma_{m,2}$	γ_m
365	71	25,3	-	45,5	12,7	-	81,8	8,17	15,6	-	7,85	3,88
	81	25,3	-	45,5	12,7	-	81,8	9,32	15,6	-	7,85	3,88
	91	25,3	-	45,5	12,7	-	81,8	10,5	15,6	-	7,85	3,88
	101	25,3	-	45,5	12,7	-	81,8	11,6	15,6	-	7,85	3,88
	111	25,3	-	45,5	12,7	-	81,8	12,8	15,6	-	7,85	3,88
	116	25,3	-	45,5	12,7	-	81,8	13,3	15,6	-	7,85	3,88
	121	25,3	-	45,5	12,7	-	81,8	13,9	15,6	-	7,85	3,88
			γ_m	-	$\gamma_{m,1}$	γ_m	-	$\gamma_{m,2}$	γ_m	$\gamma_{m,1}$	-	γ_m
365 v	91	27,1	-	71,0	13,6	-	98,2	10,5	19,3	-	10,4	5,05
	95	27,1	-	71,0	13,6	-	98,2	10,9	19,3	-	10,4	5,05
	101	27,1	-	71,0	13,6	-	98,2	11,6	19,3	-	10,4	5,05
	111	27,1	-	71,0	13,6	-	98,2	12,8	19,3	-	10,4	5,05
	116	27,1	-	71,0	13,6	-	98,2	13,3	19,3	-	10,4	5,05
	121	27,1	-	71,0	13,6	-	98,2	13,9	19,3	-	10,4	5,05
	141	27,1	-	71,0	13,6	-	98,2	16,2	19,3	-	10,4	5,05
			γ_m	-	$\gamma_{m,1}$	γ_m	-	$\gamma_{m,2}$	γ_m	$\gamma_{m,1}$	-	γ_m

Continuation of Table B.1 Characteristic load-carrying capacities for post bases

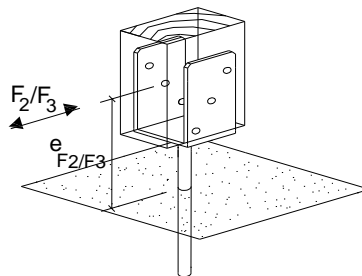
Post Base		F ₁ (Compression)			F ₁ (Tension)			F ₂₃			F ₄₅	
Type	Width	Timber	Steel		Timber	Steel		Timber	Steel		Timber	Steel
581	71-161	29,2	21,1	-	-	-	-	-	-	-	-	-
		γ_m	$\gamma_{m,0}$	-	-	-	-	-	-	-	-	-
583	70	64,1	44,0	-	-	-	-	-	-	-	-	-
		γ_m	$\gamma_{m,0}$	-	-	-	-	-	-	-	-	-
655	91	27,1	-	71,0	13,6	-	98,2	10,5	19,3	-	10,4	5,05
	111	27,1	-	71,0	13,6	-	98,2	12,8	19,3	-	10,4	5,05
	116	27,1	-	71,0	13,6	-	98,2	13,3	19,3	-	10,4	5,05
	121	27,1	-	71,0	13,6	-	98,2	13,9	19,3	-	10,4	5,05
	141	27,1	-	71,0	13,6	-	98,2	16,2	19,3	-	10,4	5,05
		γ_m	-	$\gamma_{m,1}$	γ_m	-	$\gamma_{m,2}$	γ_m	$\gamma_{m,1}$	-	γ_m	$\gamma_{m,0}$
665	116	38,9	-	176,3	38,9	-	300,8	16,2	28,3	-	16,8	12,9
	121	38,9	-	176,3	38,9	-	300,8	16,9	28,3	-	17,5	12,9
	141	38,9	-	176,3	38,9	-	300,8	19,7	28,3	-	20,4	12,9
	161	38,9	-	176,3	38,9	-	300,8	22,5	28,3	-	22,6	12,9
		γ_m	-	$\gamma_{m,1}$	γ_m	-	$\gamma_{m,0}$	γ_m	$\gamma_{m,1}$	-	γ_m	$\gamma_{m,0}$
751	71	12,7	5,61	6,90	8,91	5,61	6,90	5,94	-	1,39	7,43	2,46
	81	12,7	4,64	-	8,91	4,64	-	5,94	-	1,39	7,43	2,46
	91	12,7	3,96	-	8,91	3,96	-	5,94	-	1,39	7,43	2,46
	101	12,7	3,45	-	8,91	3,45	-	5,94	-	1,39	7,43	2,46
	121	12,7	2,75	-	8,91	2,75	-	5,94	-	1,39	7,43	2,46
		γ_m	$\gamma_{m,0}$	$\gamma_{m,2}$	γ_m	$\gamma_{m,0}$	$\gamma_{m,2}$	γ_m	-	$\gamma_{m,2}$	γ_m	$\gamma_{m,0}$

Definitions of forces, their directions and eccentricity

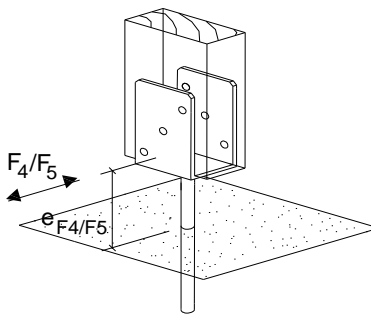
- Force F_1 : tensile or compression load



- Force F_2 / F_3 : horizontal load parallel to the side plates of the post base



- Force F_4 / F_5 : horizontal load perpendicular to the side plates of the post base



Acting forces

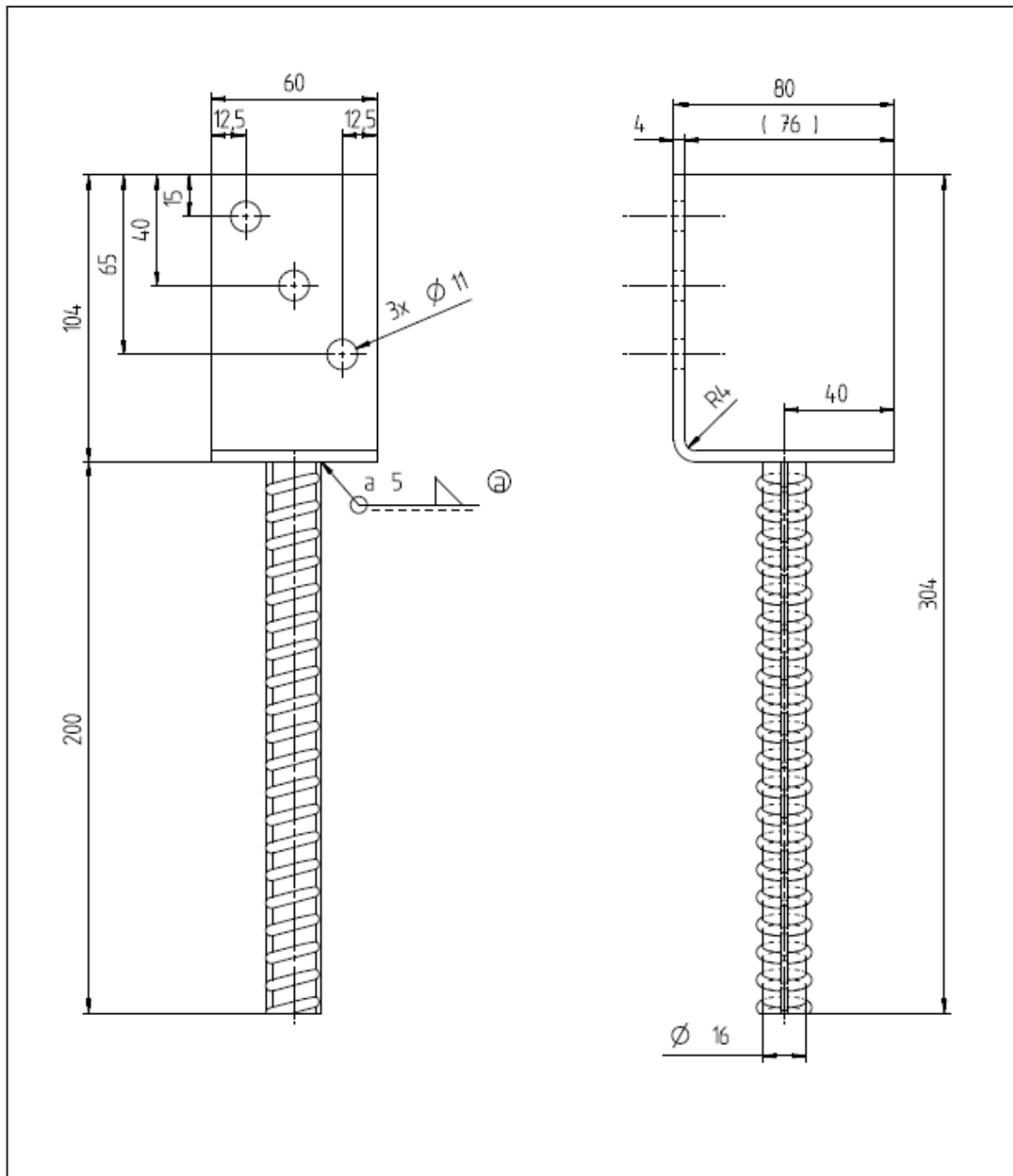
- | | |
|-----------------|---|
| F_1 | axial force (tension or compression) acting along the central axis of the joint |
| F_2 and F_3 | horizontal force parallel to the side plates of the post base acting with the lever arm e_{F_2/F_3} above the foundation |
| F_4 and F_5 | horizontal force perpendicular to the side plates of the post base acting with the lever arm e_{F_4/F_5} above the foundation |

Combined forces

If the forces F_1 and F_2/F_3 or F_4/F_5 act at the same time, the following inequality shall be fulfilled:

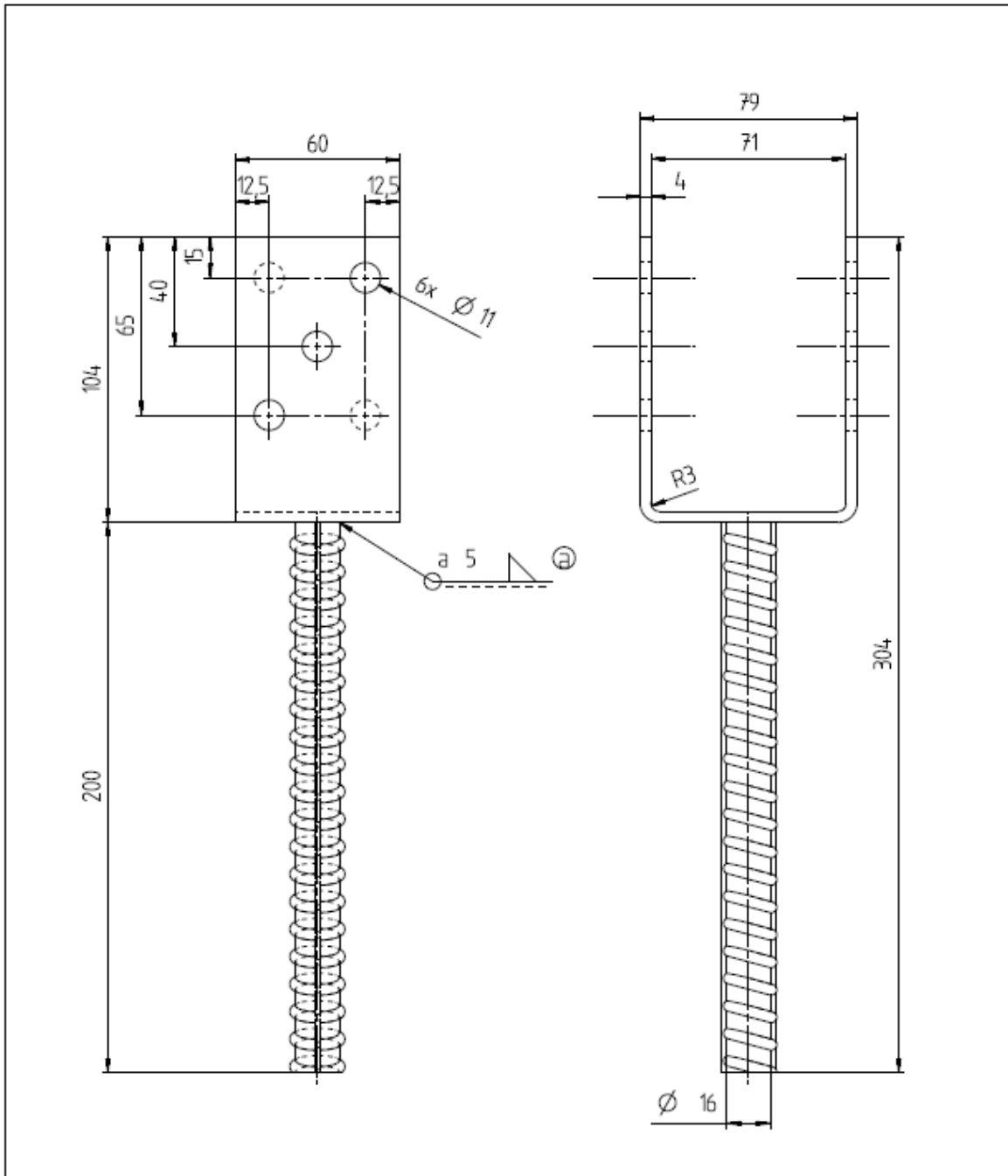
$$\sum \frac{F_{i,d}}{R_{i,d}} \leq 1$$

The forces F_2 and F_3 or F_4 and F_5 are forces with opposite direction. Therefore only one force F_2 or F_3 , and F_4 or F_5 , respectively, is able to act simultaneously with F_1 .



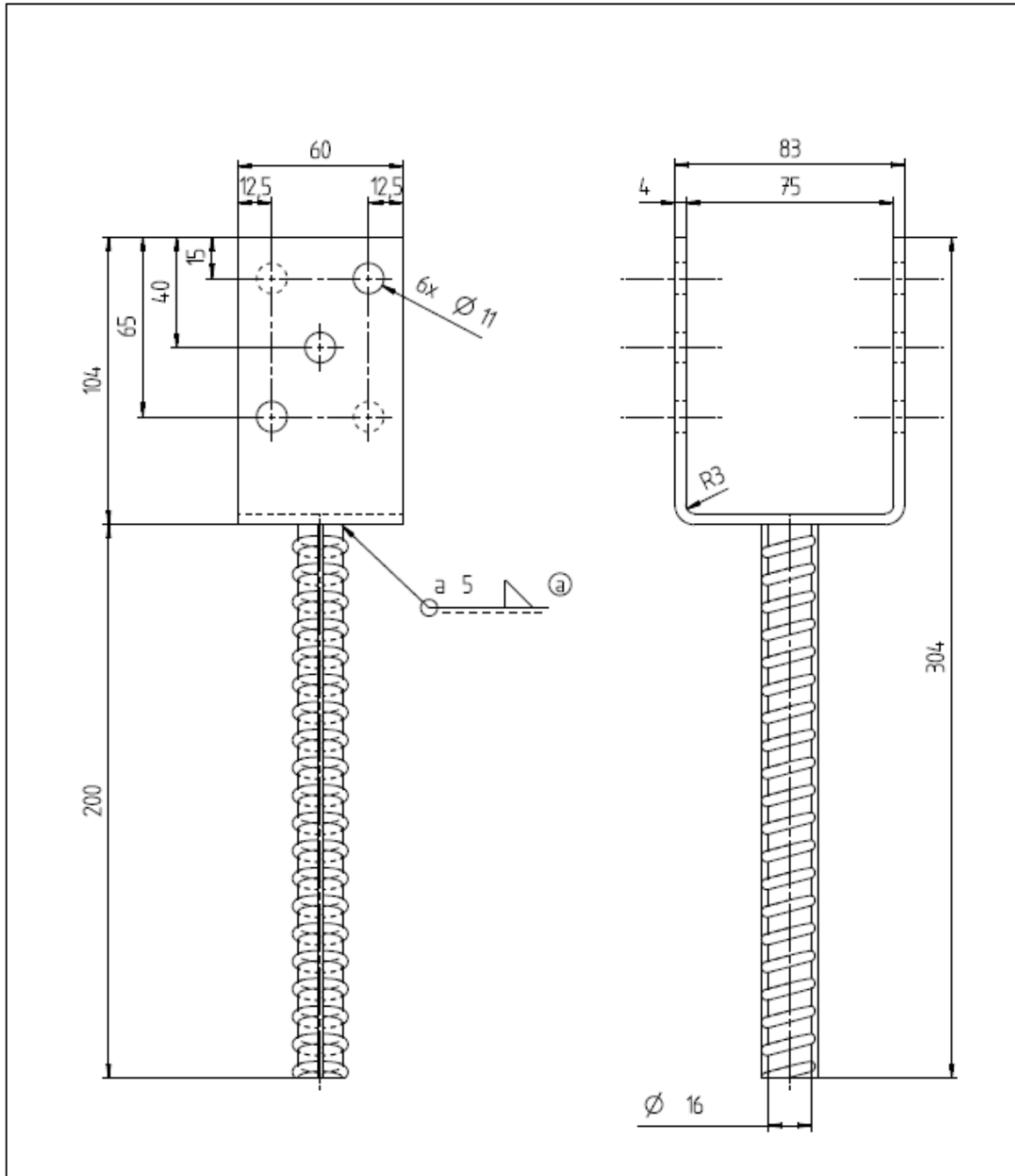
Gewicht: 0,7 kg

Pos. position	Stck. pc.	Benennung / description		Abmessung dimensions	Zeichnungsnr. drawing number	Bemerkung notes / remarks
Änderungen nur durch Abteilung K modification only from department K				Maßstab scale	Material / material S235JR / 1.0037	
				Typ Nr. typ-number	Bemerkung / notes / remarks	
					326	213954
Ⓐ	Schweißnaht war a7 und jetzt a5		23.09.2014	Bogdan	Benennung / description	
Zust. condition	Änderung / modification		Datum/date	Name/name	Pfosträger, L-Form Post support, L-Shape	
	Datum/date	Name/name	Zul. Abw. acceptance tolerance			
Bearb./drawer	28.7.09	Hunka	ISO 2768			
Gepr./manner			mittel			
Norm/standard				Zeichnungsnummer drawing number		Version
GAH ALBERTS				0326 0080 2		CE



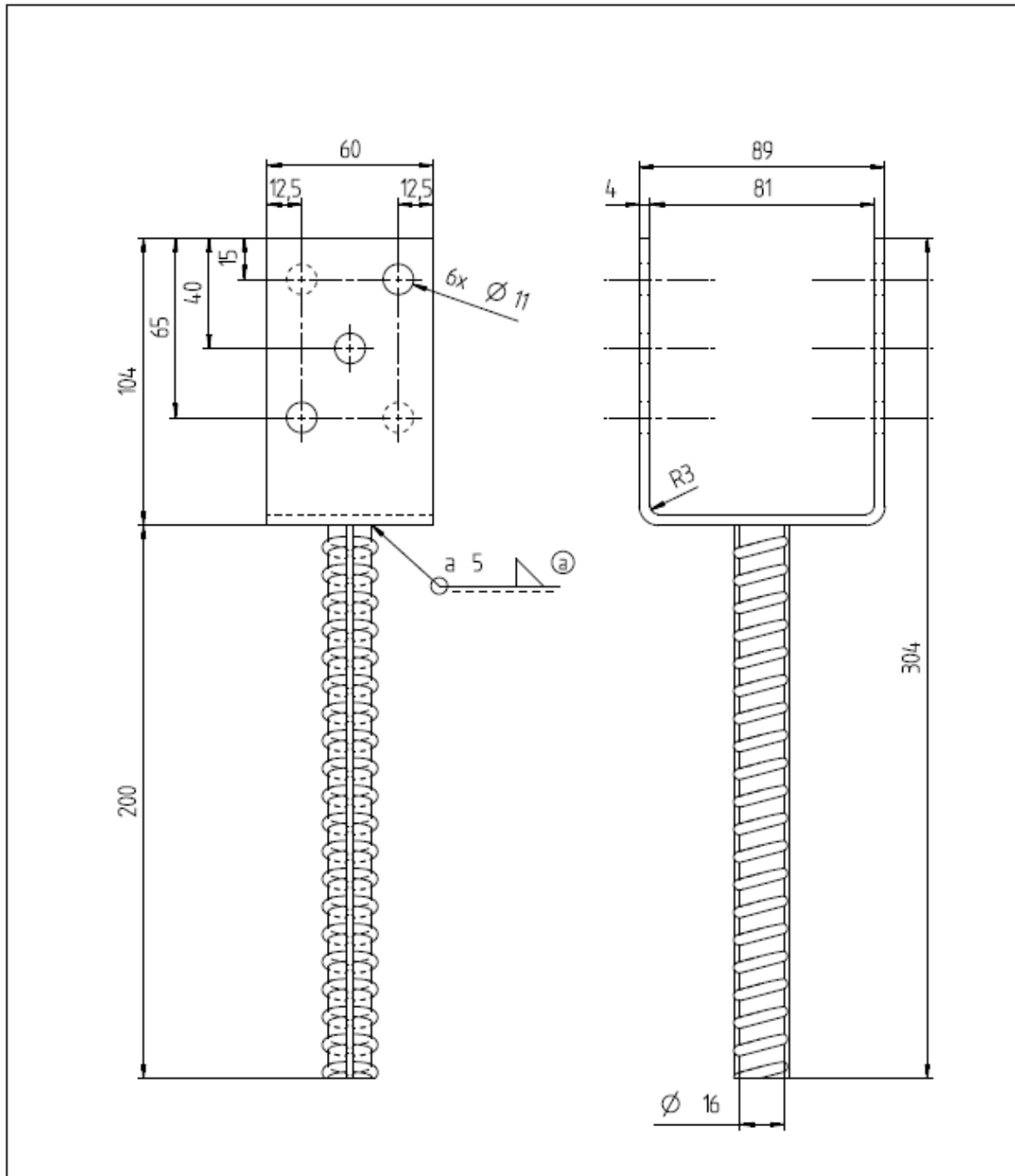
Gewicht: 0,874 kg

Pos. position	Stück. pc.	Benennung / description		Abmessung dimensions	Zeichnungsnr. drawing number	Bemerkung notes / remarks
Änderungen nur durch Abteilung K modification only from department K				Maßstab scale	Material / material S235JR / 1.0037	
				Typ Nr. typ-number	Bemerkung / notes / remarks	
					327	214234
Ⓐ	Schweißnaht war a7 und jetzt a5 Änderung / modification		Datum/date	Name/name		
Zeit condition		Datum/date	Name/name	Benennung / description		
Bearb./drawer		27.7.09	Hunka	Pfostenträger, U-Form, 71mm Post support, U-Shape, 71mm		
Gepr. examiner						
Norm/standard						
				Zul. Abw. acceptance tolerance	Zeichnungsnummer drawing number	
				ISO 2768 mittel	0327 0071 2	
GAH ALBERTS						Version CE



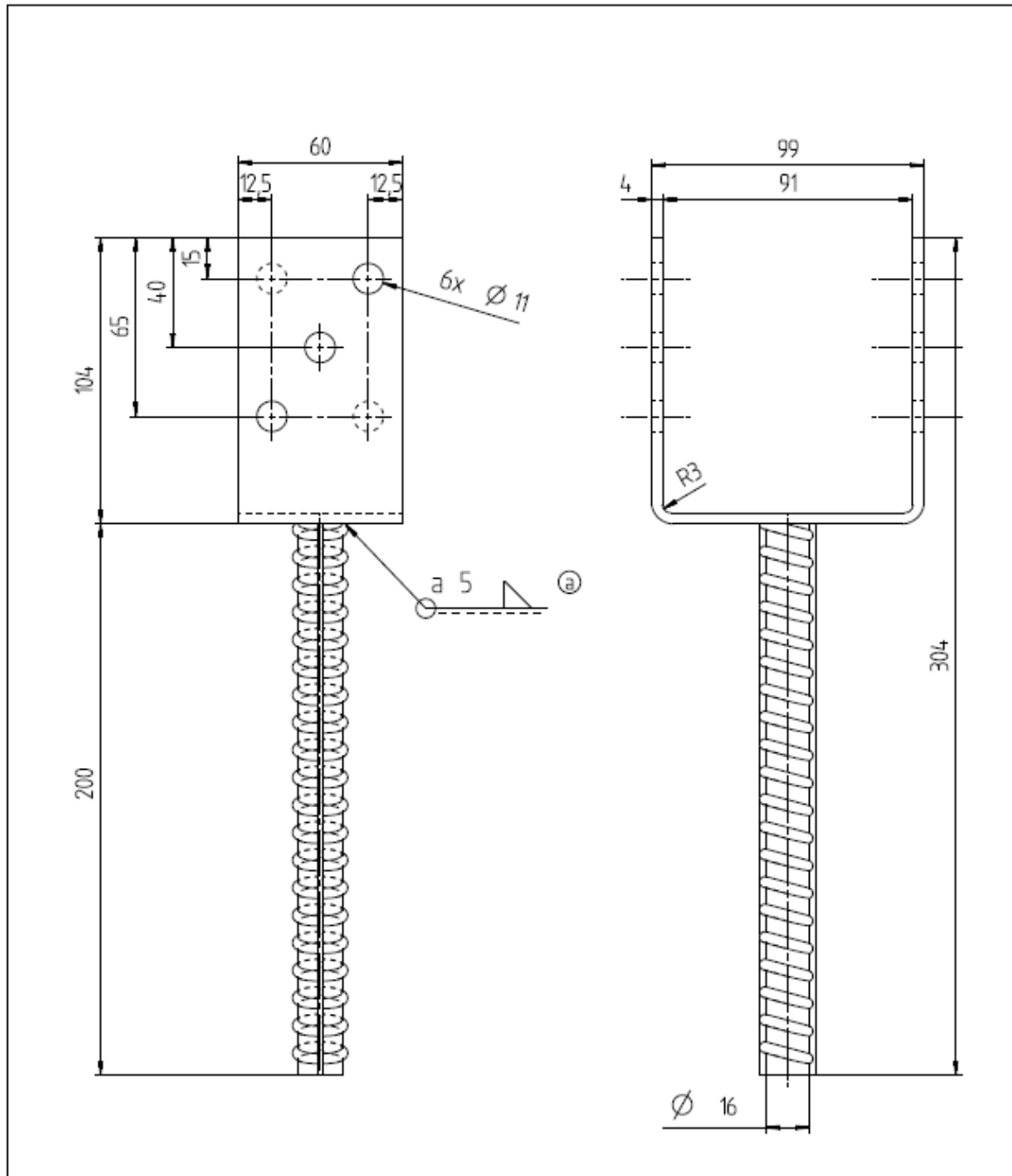
Gewicht: 0,881 kg

Pos. position	Stck. pc.	Benennung / description		Abmessung dimensions	Zeichnungsnr. drawing number	Bemerkung notes / remarks
		Änderungen nur durch Abteilung K modification only from department K		Massstab scale	Material / material	S235JR / 1.0037
				Typ Nr. typ-number	Bemerkung / notes / remarks	
					327	214241
(a)		Schweissnaht war a7 und jetzt a5 Änderung / modification		Datum/date	Name/name	
		Datum/date	Name/name	Zul. Abw. acceptance tolerance		
Bearb./drawer		27.7.09	Hunka	ISO 2768 mittel		
Gez./maker						
Norm/standard						
GAH ALBERTS				Zeichnungsnummer drawing number	0327 0075 2	
						Version CE



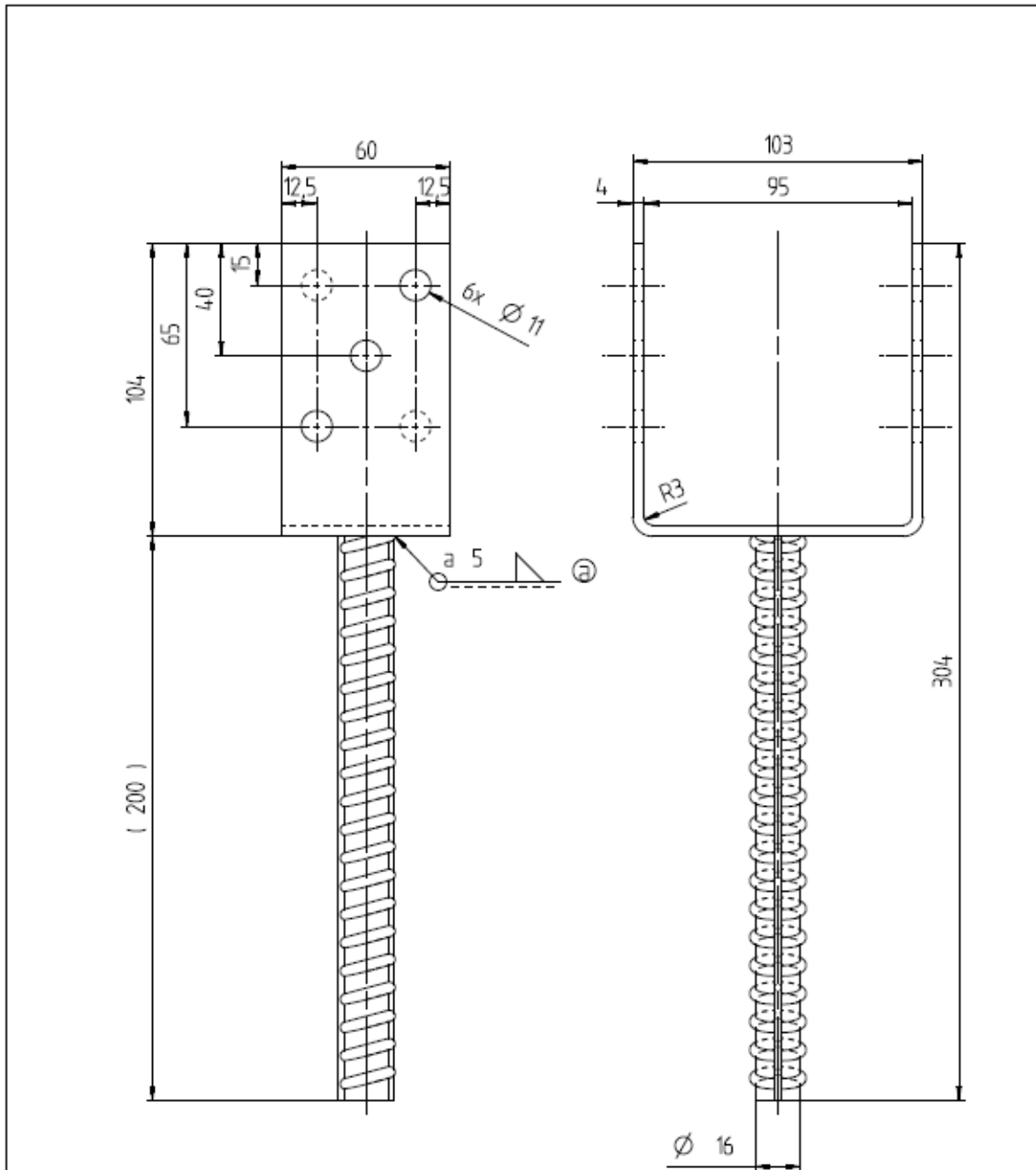
Gewicht: 0,892 kg

Pos. position	Stk. pc.	Benennung / description		Abmessung dimensions	Zeichnungsnr. drawing number	Bemerkung notes / remarks
Änderungen nur durch Abteilung K modification only from department K				Massstab scale	Material / material	S235JR / 1.0037
				Typ Nr. type-number	327	Bemerkung / notes / remarks 214258
(a)		Schweißnaht war a7 und jetzt a5 Änderung / modification		23.09.2014	Bogdan	Benennung / description
Bearb./drawer	27.7.09	Name/name Hunka		Zul. Abw. acceptance tolerance ISO 2768 mittel		Pfostenträger, U-Form, 81mm Post support, U-Shape, 81mm
Gepr. v. author						
Norm/standard						
GAH ALBERTS				Zeichnungsnummer drawing number	0327 0081 2	Version CE



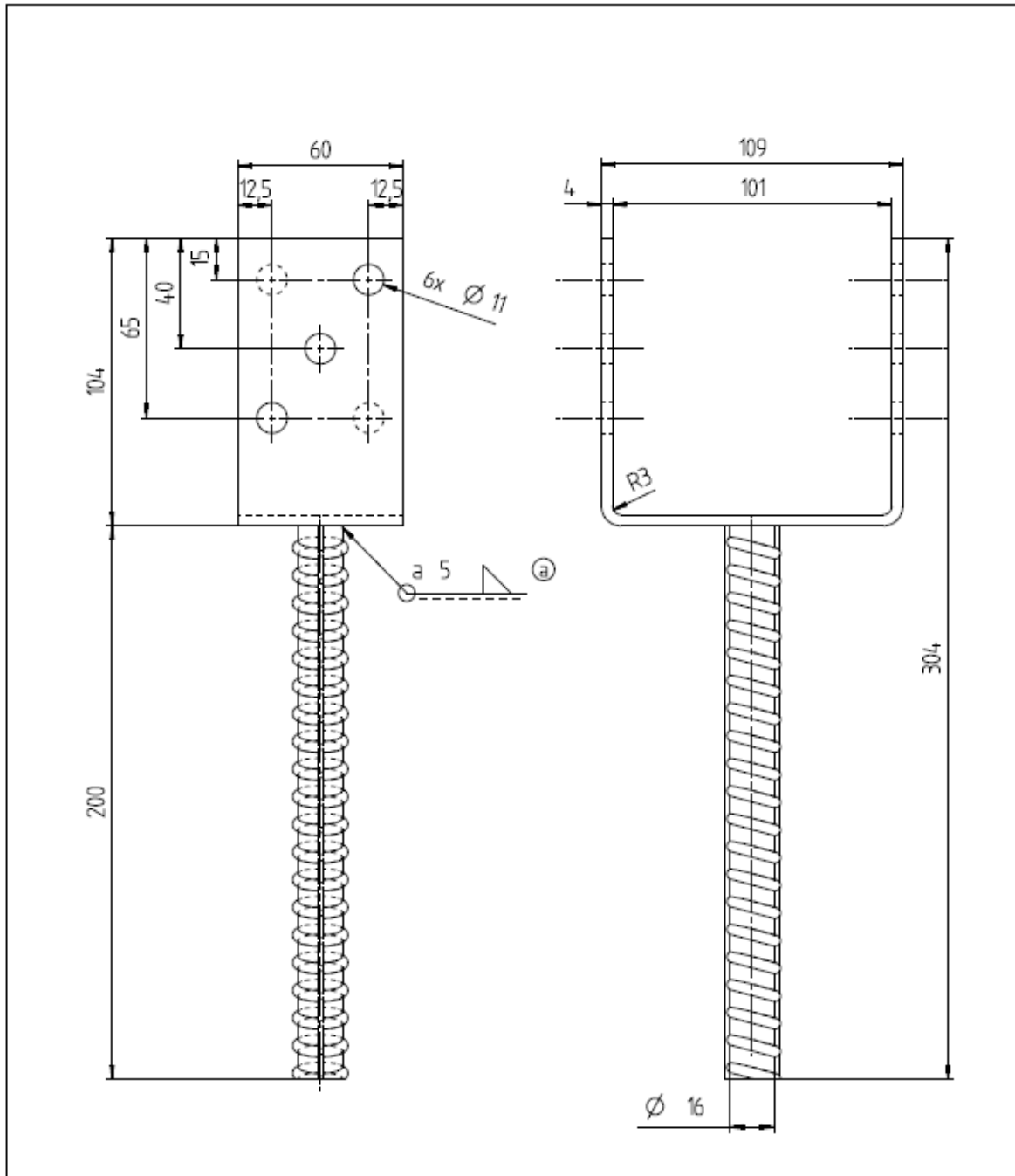
Gewicht: 0,908 kg

Pos. position	Stk. pc.	Benennung / description		Abmessung dimensions	Zeichnungsnr. drawing number	Bemerkung notes / remarks
Änderungen nur durch Abteilung K modification only from department K				Massstab scale	Material / material	S235JR / 1.0037
				Typ Nr. typ-number	327	Bemerkung / notes / remarks 214265
(a)		Schweißnaht war a7 und jetzt a5 Anderung / modification	23.09.2014	Bogdan	Benennung / description Pfostenträger, U-Form, 91mm Post support, U-Shape, 91mm	
Zust. condition	Datum/date	Name/name	Zul. Abw. acceptance tolerance ISO 2768 mittel			
Bearb./drawer	27.7.09	Hunka				
Gepr. number						
Norm/standard						
GAH ALBERTS				Zeichnungsnummer drawing number	0327 0091 2	Version CE



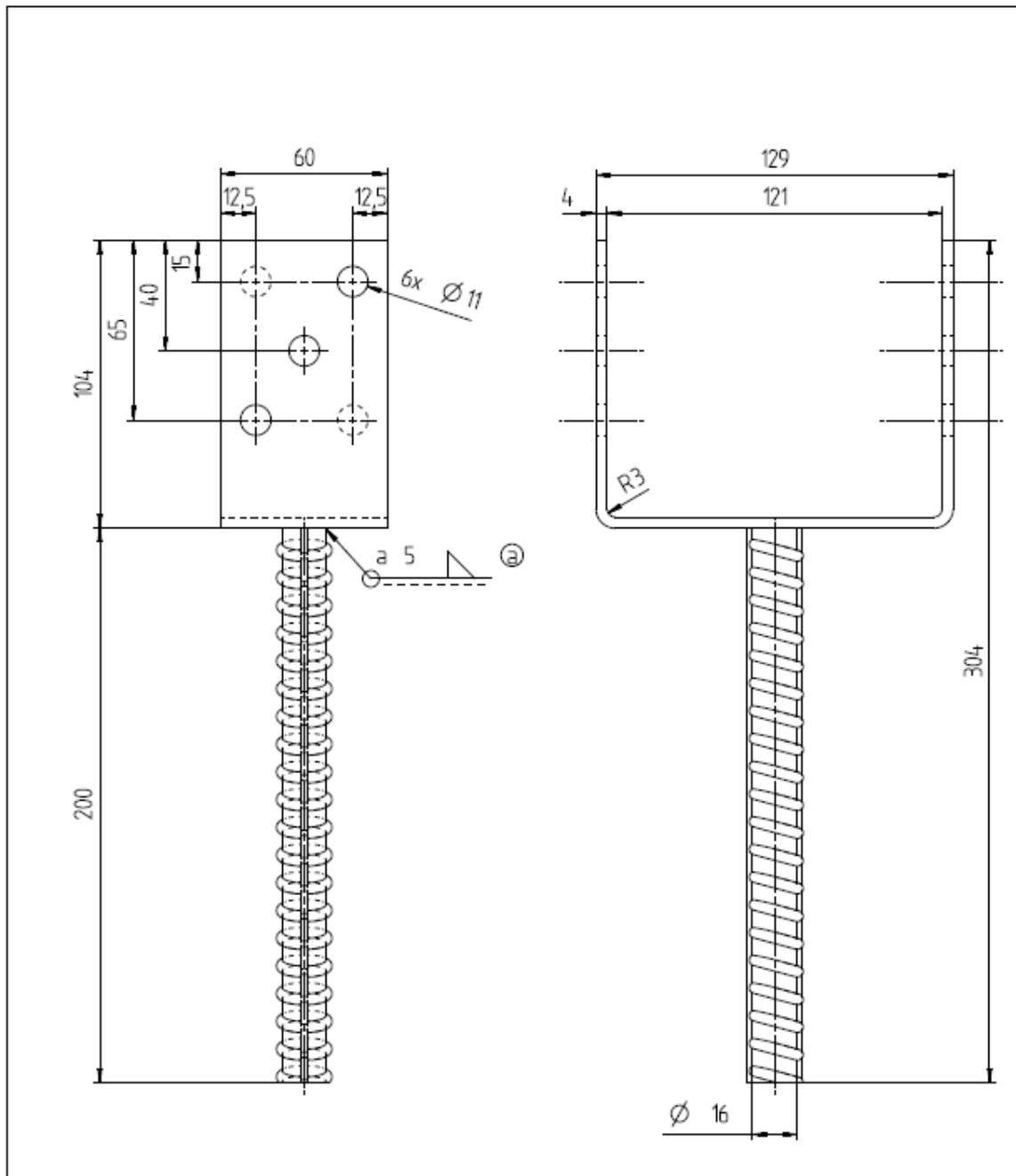
Gewicht: 0,919 kg

Pos. position	Sfck. pt.	Benennung / description		Abmessung dimensions	Zeichnungsnr. drawing number	Bemerkung notes / remarks
		Änderungen nur durch Abteilung K modification only from department K		Massstab scale	Material / material	S235JR / 1.0037
				Typ Nr. typ-number	Bemerkung / notes / remarks	
				327		214272
Ⓐ		Schweißnaht war a7 und jetzt a5		23.09.2014	Bogdan	
Zust. condition	Änderung / modification		Datum/date	Benennung / description		
	Datum/date	Name/name	Zul. Abw. acceptance tolerance			
Bearb./drawer	28.7.09	Hunka	ISO 2768			
Gepr. examiner			mittel			
Norm/standard						
GAH ALBERTS				Zeichnungsnummer drawing number	0327 0095 2	Version CE



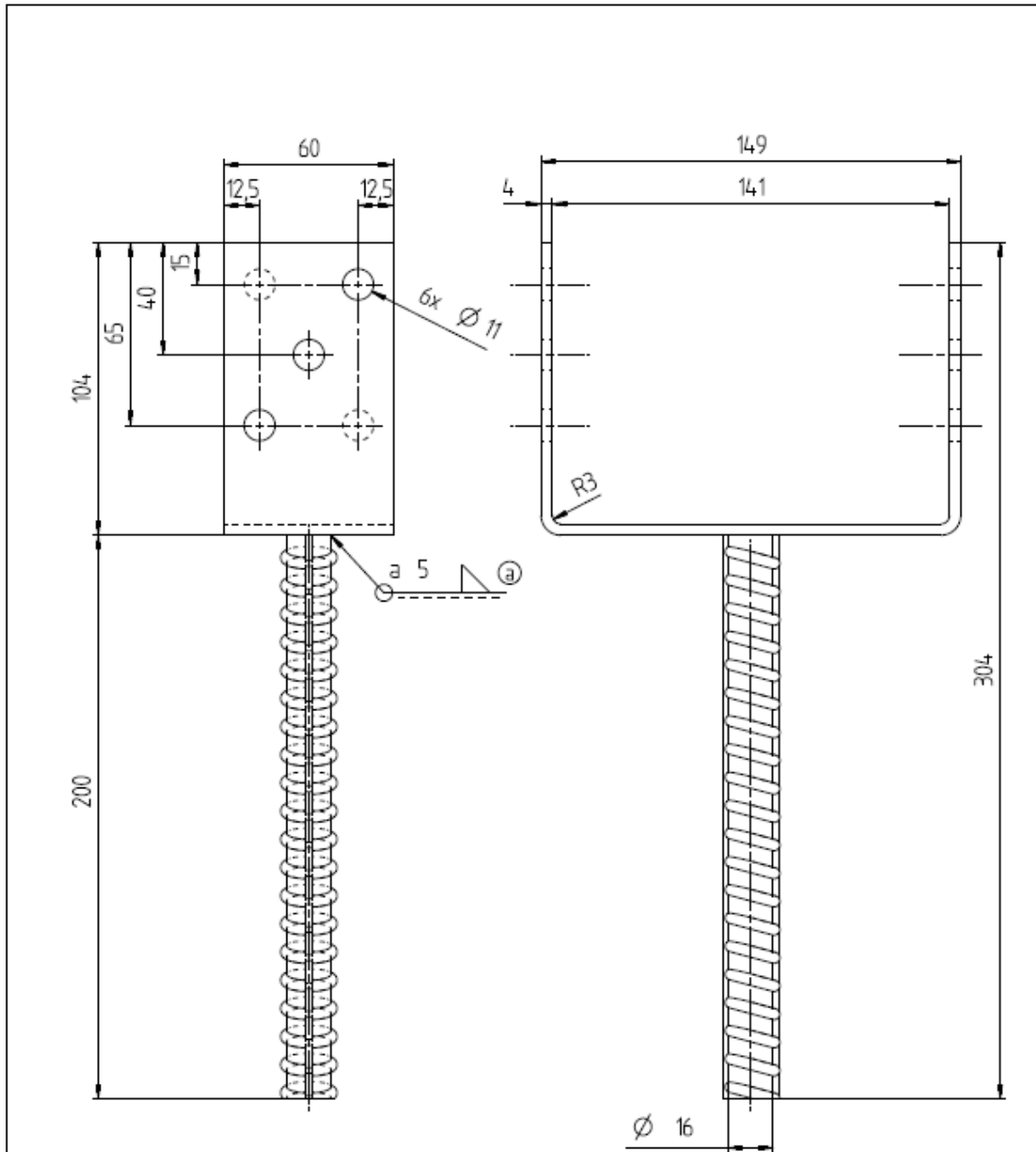
Gewicht: 0,93 kg

Pos. position	Stck. pc.	Benennung / description	Abmessung dimensions	Zeichnungsnr. drawing number	Bemerkung notes / remarks
Änderungen nur durch Abteilung K modification only from department K			Massstab scale	Material / material	S235JR / 1,0037
			Typ Nr. typ-number	Bemerkung / notes / remarks	
				327	214289
(a)	Schweißnaht war a7 und jetzt a5		23.09.2014	Bogdan	Benennung / description
Zust. condition	Änderung / modification		Datum/date	Name/name	Pfosträger, U-Form, 101mm Post support, U-Shape, 101mm
	Datum/date	Name/name	Zul. Abw. acceptance tolerance		
Bearb./dräwer	28.7.09	Hunka	ISO 2768		
Exp./master			mittel		
Norm/standard					
GAH ALBERTS				Zeichnungsnummer drawing number	0327 0101 2
				Version	CE



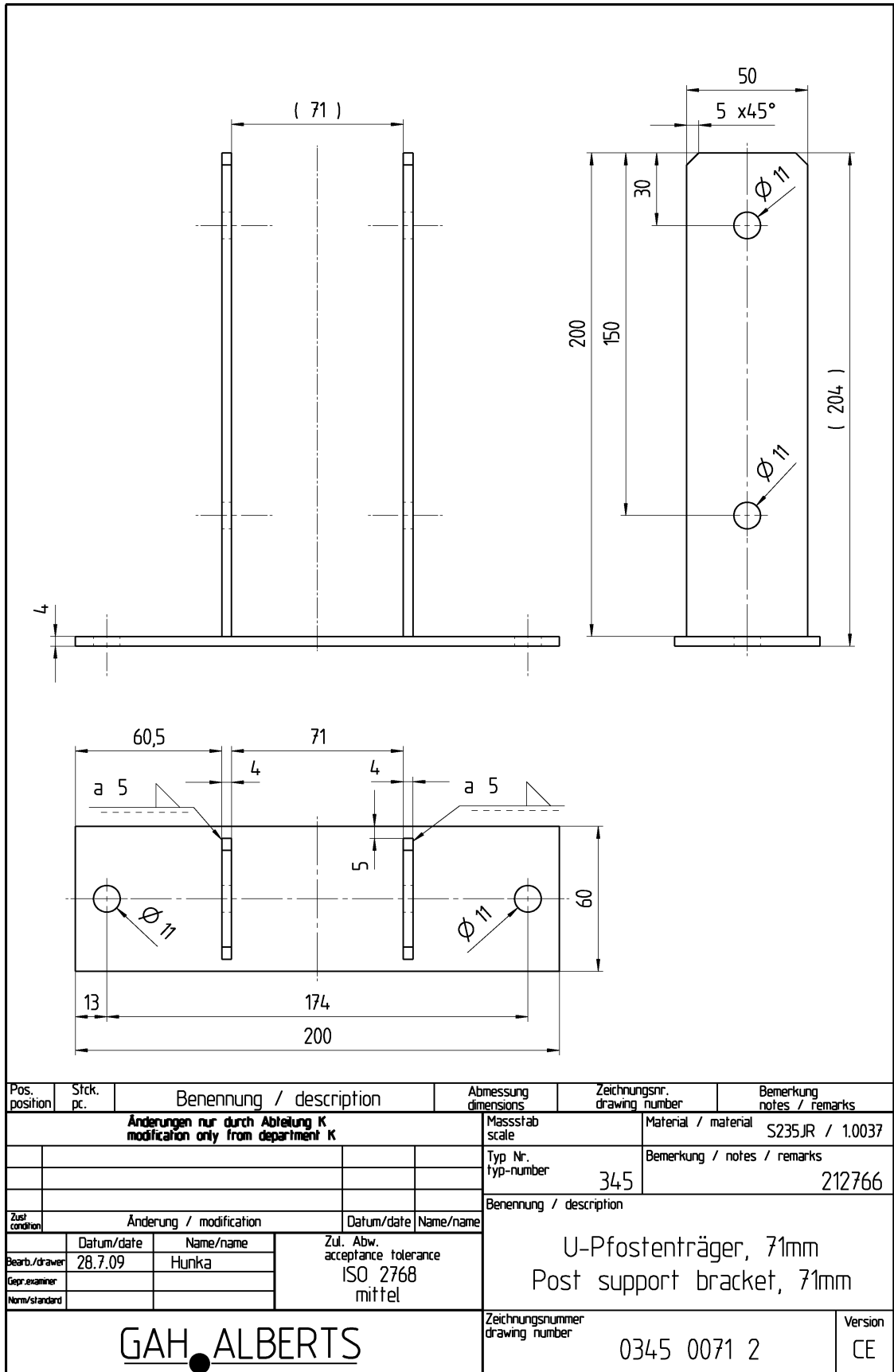
Gewicht: 0,967 kg

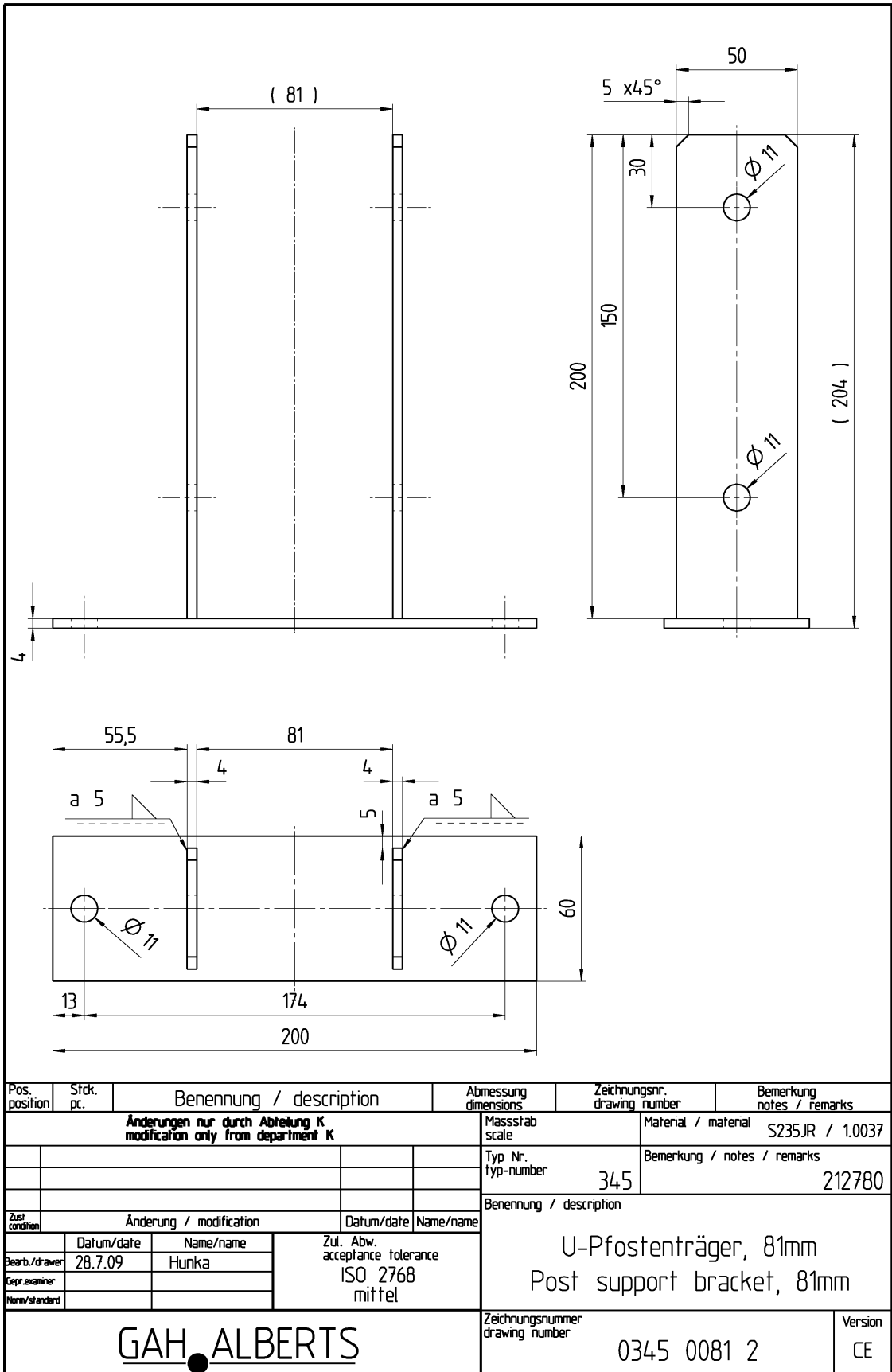
Pos. position	Stck. pc.	Benennung / description		Abmessung dimensions	Zeichnungsnr. drawing number	Bemerkung notes / remarks
		Änderungen nur durch Abteilung K modification only from department K		Maßstab scale	Material / material	S235JR / 1,0037
				Typ Nr. typ-number	Bemerkung / notes / remarks	
				327	214296	
ⓐ		Schweißnaht war a7 und jetzt a5		Datum/date	Name/name	
		23.09.2014		Bogdan		
Zust. condition	Änderung / modification		Datum/date	Name/name		
	Datum/date	Name/name		Zul. Abw. acceptance tolerance ISO 2768 mittel		
Bearb./drawer	5.8.09	Hunka				
Gepr. examiner						
Norm/standard						
GAH ALBERTS				Zeichnungsnummer drawing number	0327 0121 2	
				Version		CE

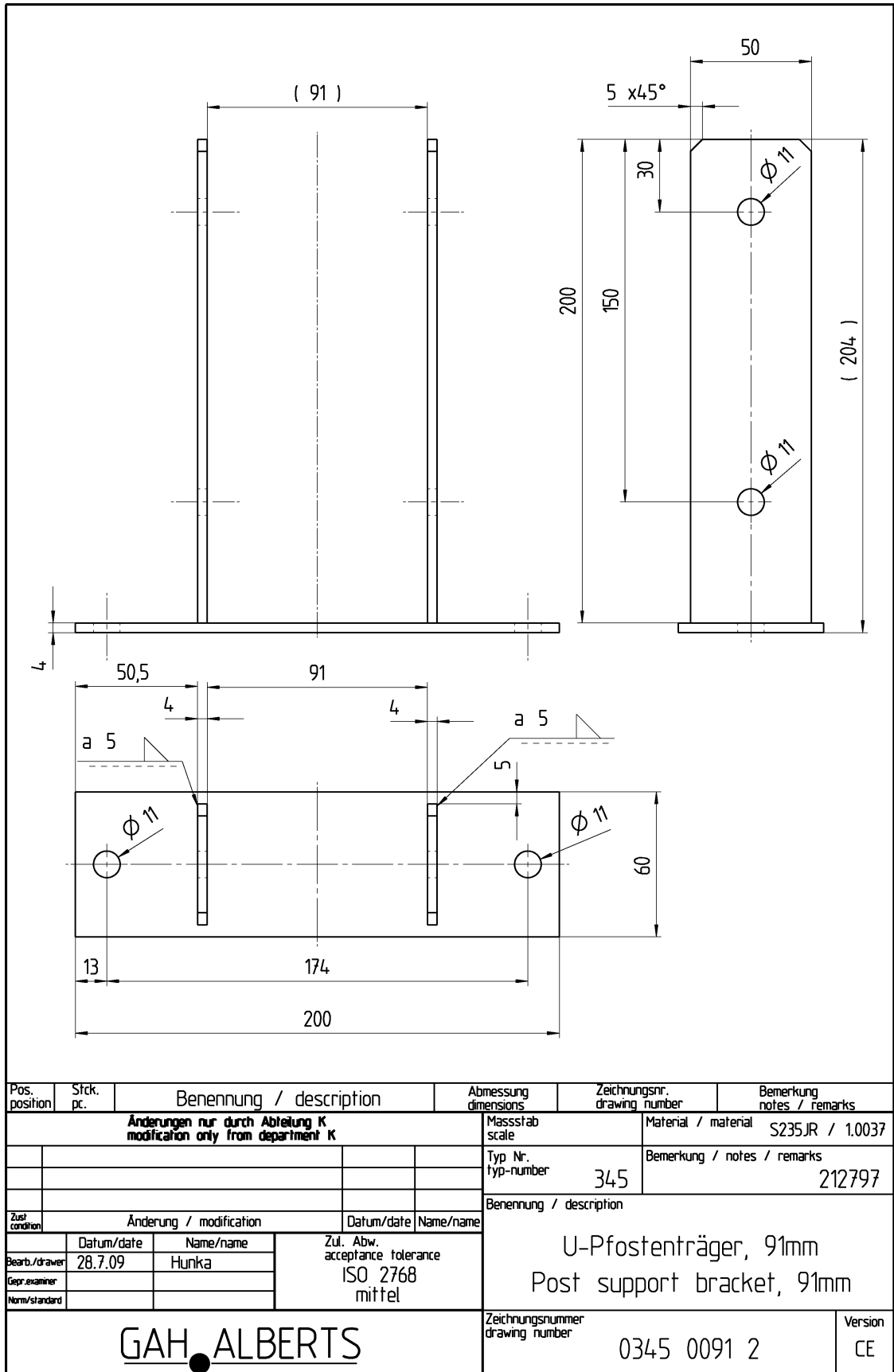


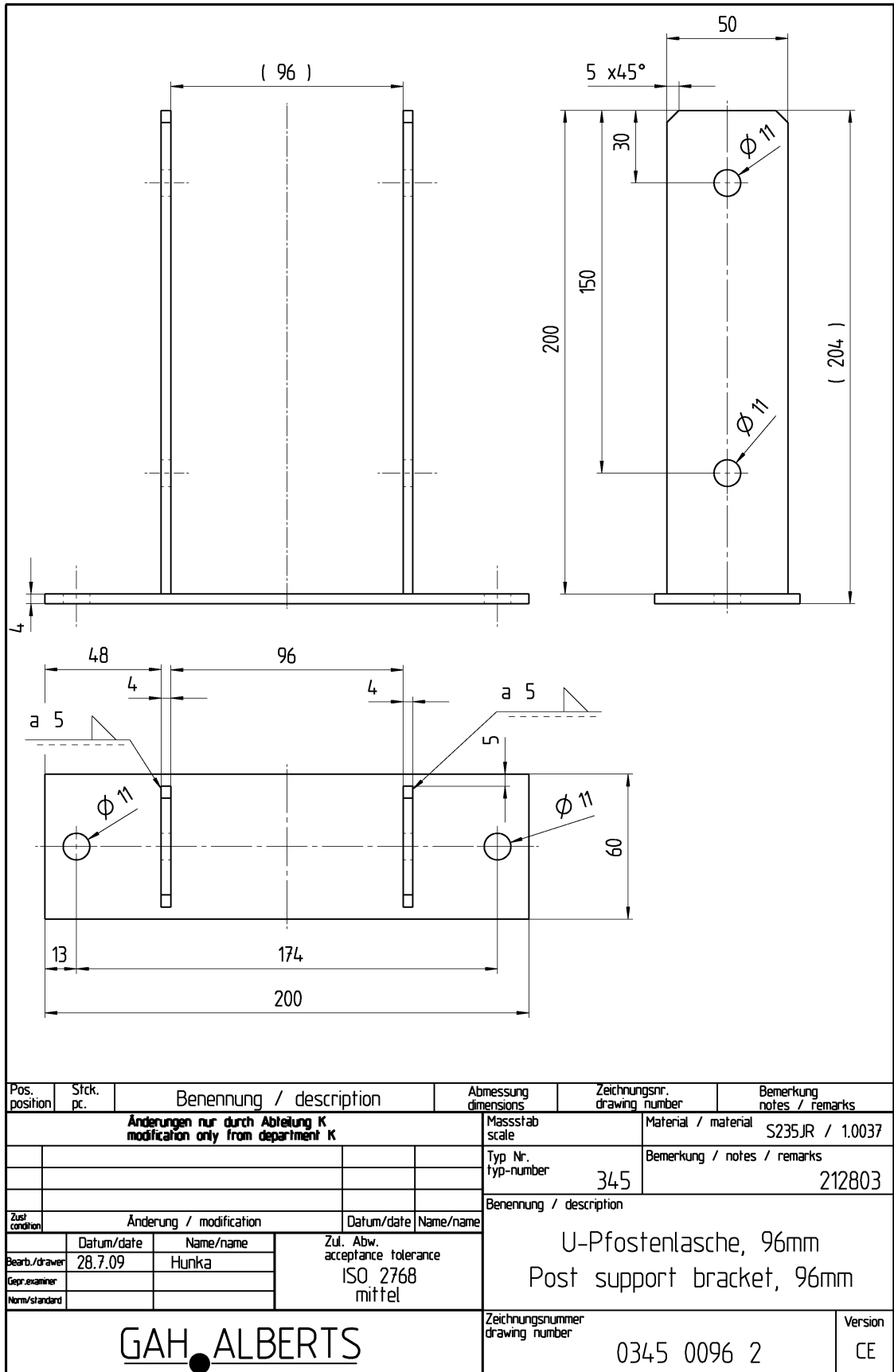
Gewicht: 1,005 kg

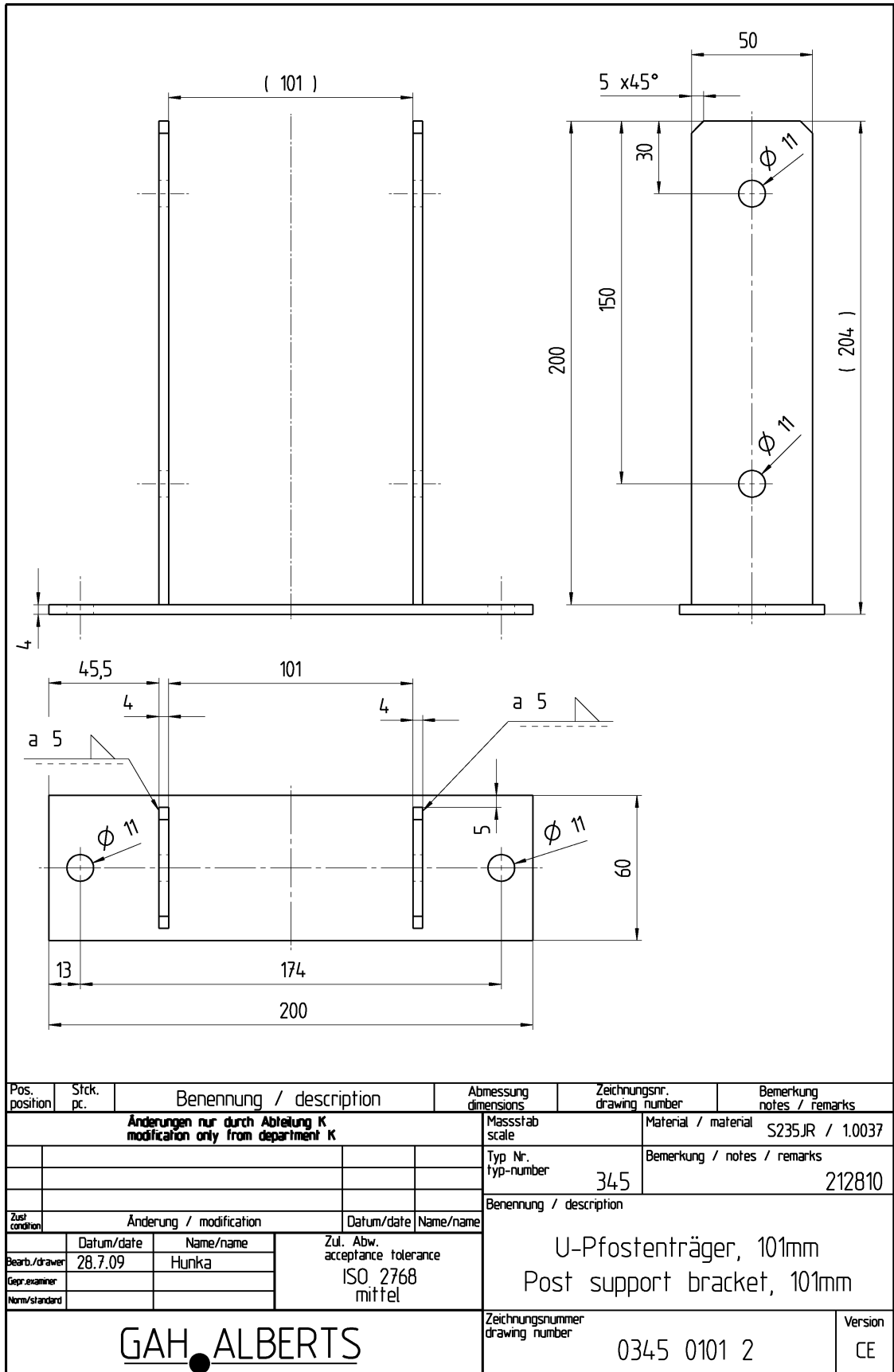
Pos. position	Stck. pc.	Benennung / description	Abmessung dimensions	Zeichnungsnr. drawing number	Bemerkung notes / remarks
		Änderungen nur durch Abteilung K modification only from department K	Massstab scale		Material / material S235JR / 1.0037
			Typ Nr. typ-number	327	Bemerkung / notes / remarks 214.302
(a)		Schweißnaht war a7 und jetzt a5	Datum/date	23.09.2014	Name/name Bogdan
Zust. condition		Änderung / modification	Datum/date		Name/name
Bearb./drawer		Datum/date			
Gepr. examiner		Name/name			
Norm/standard					
			Zul. Abw. acceptance tolerance	Pfostenträger, U-Form, 141mm	
			ISO 2768	Post support, U-Shape, 141mm	
			mittel		
GAH ALBERTS				Zeichnungsnummer drawing number	0327 0141 2
				Version	CE

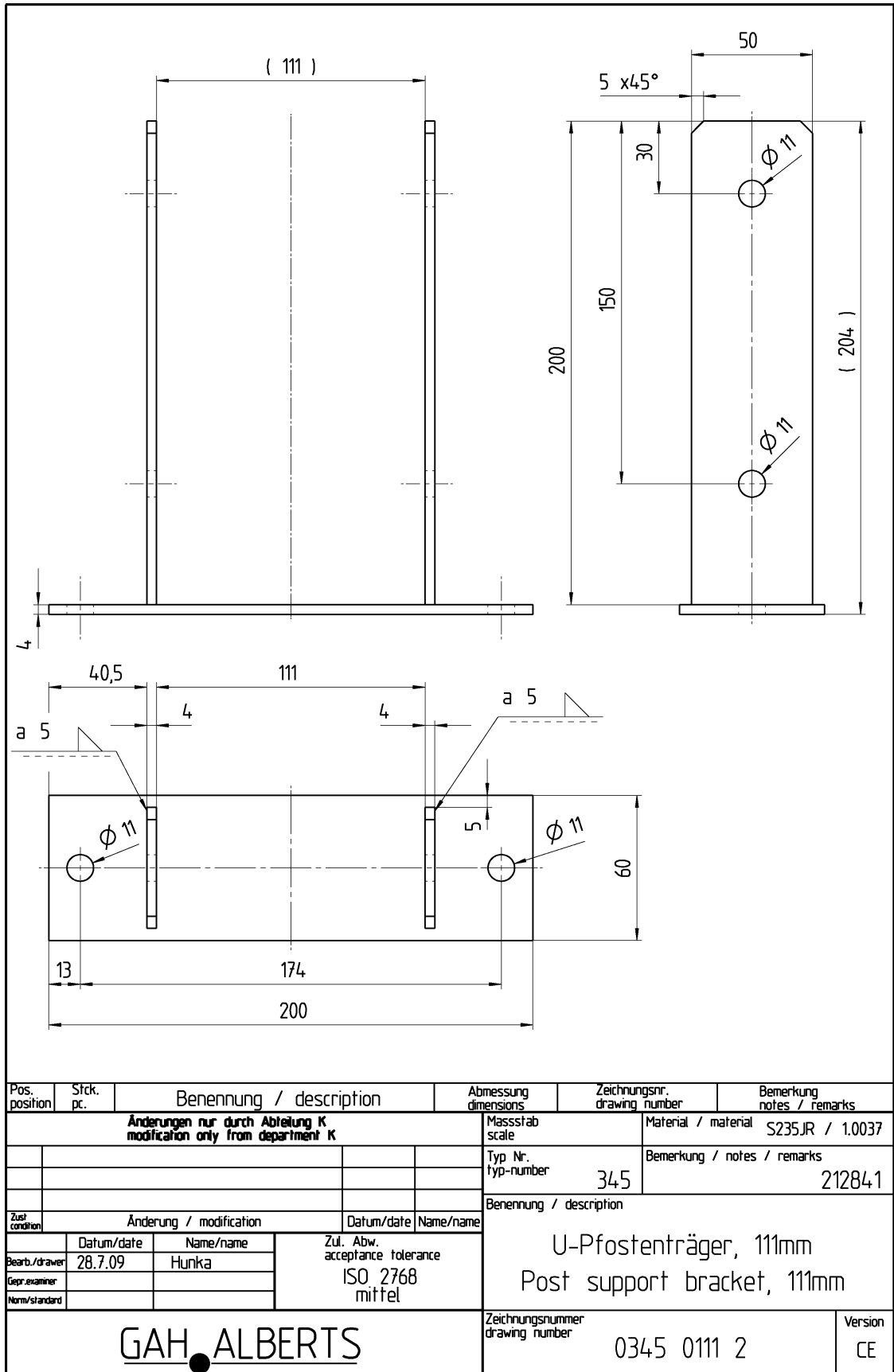


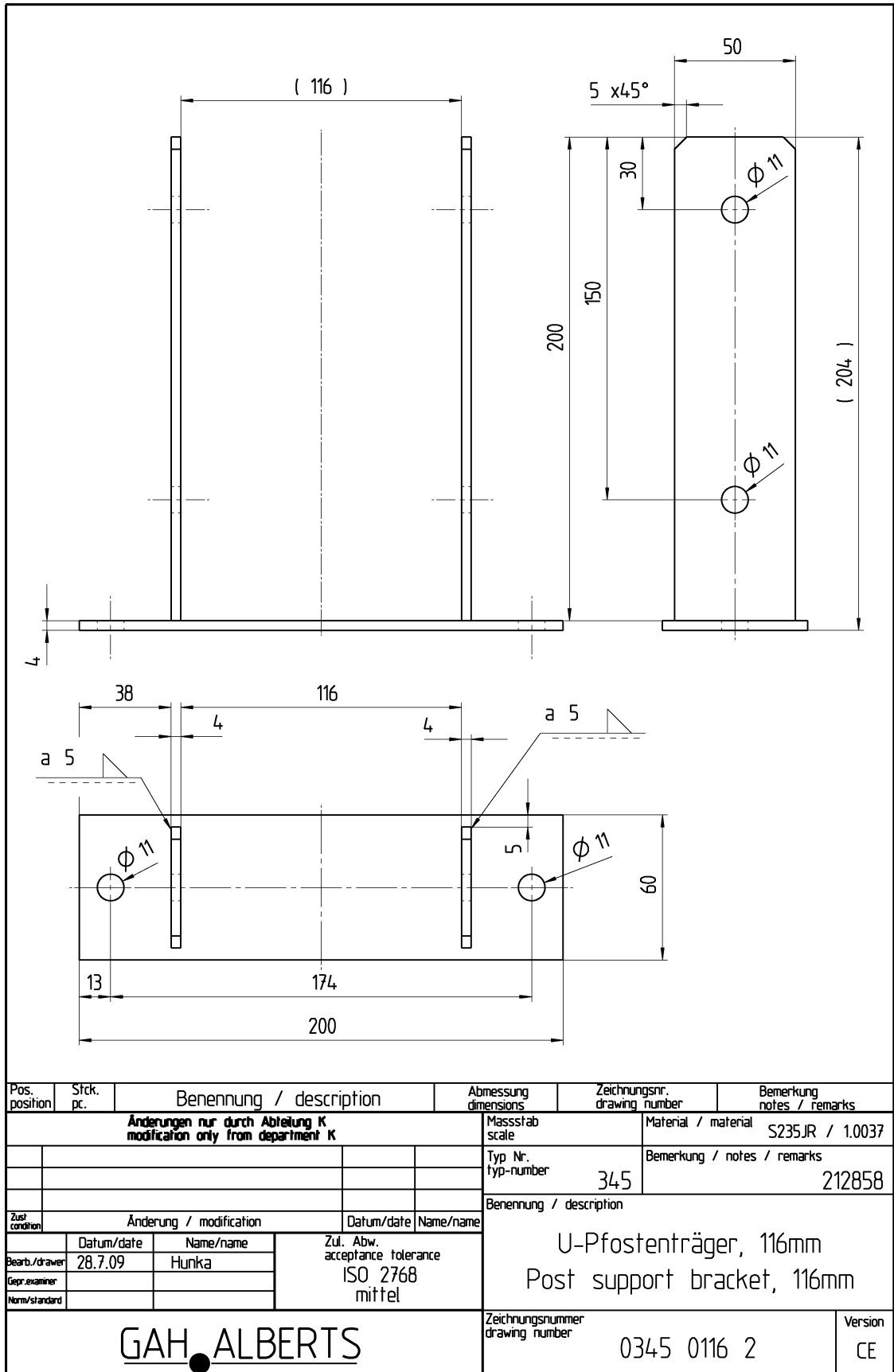


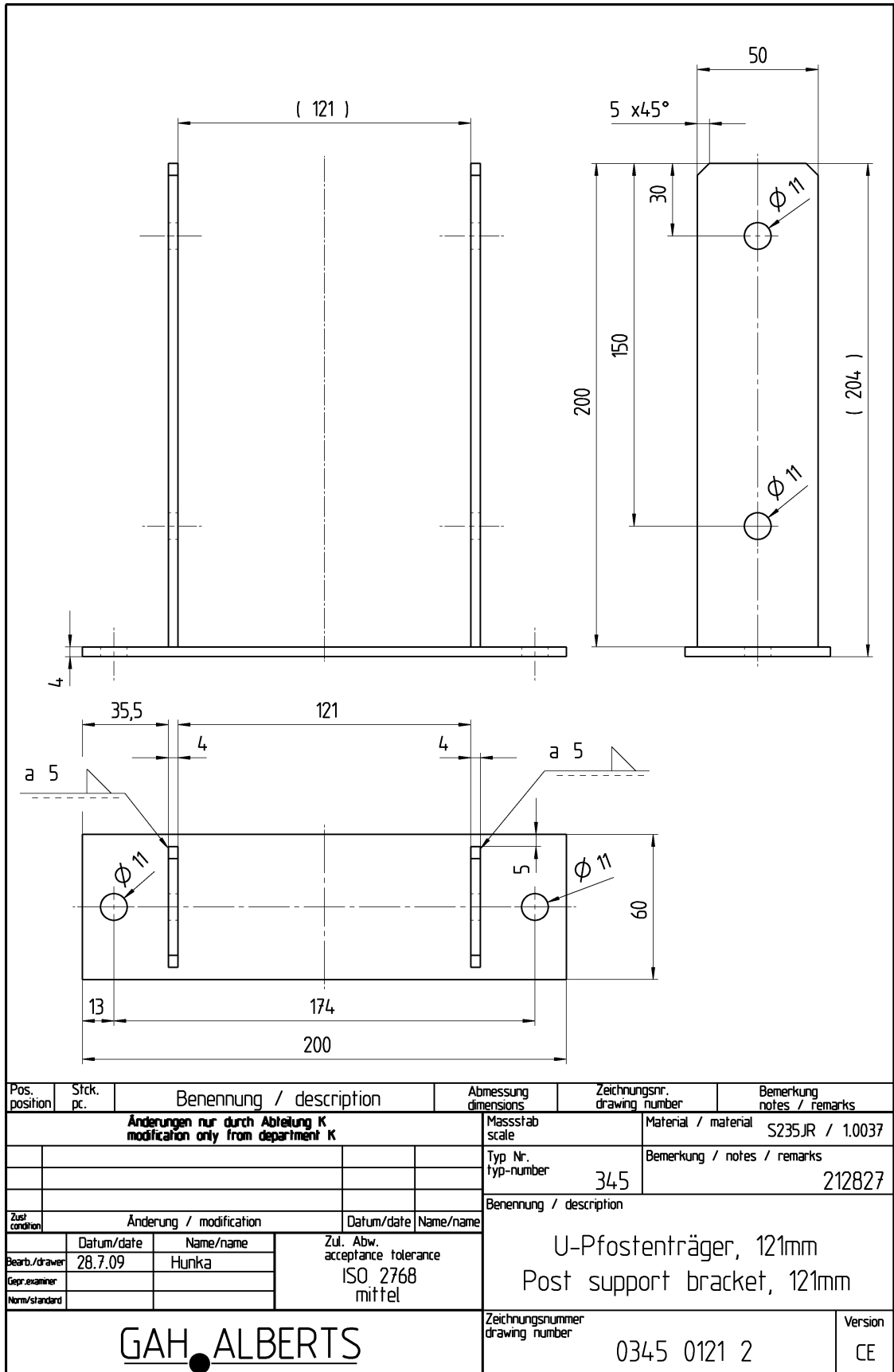


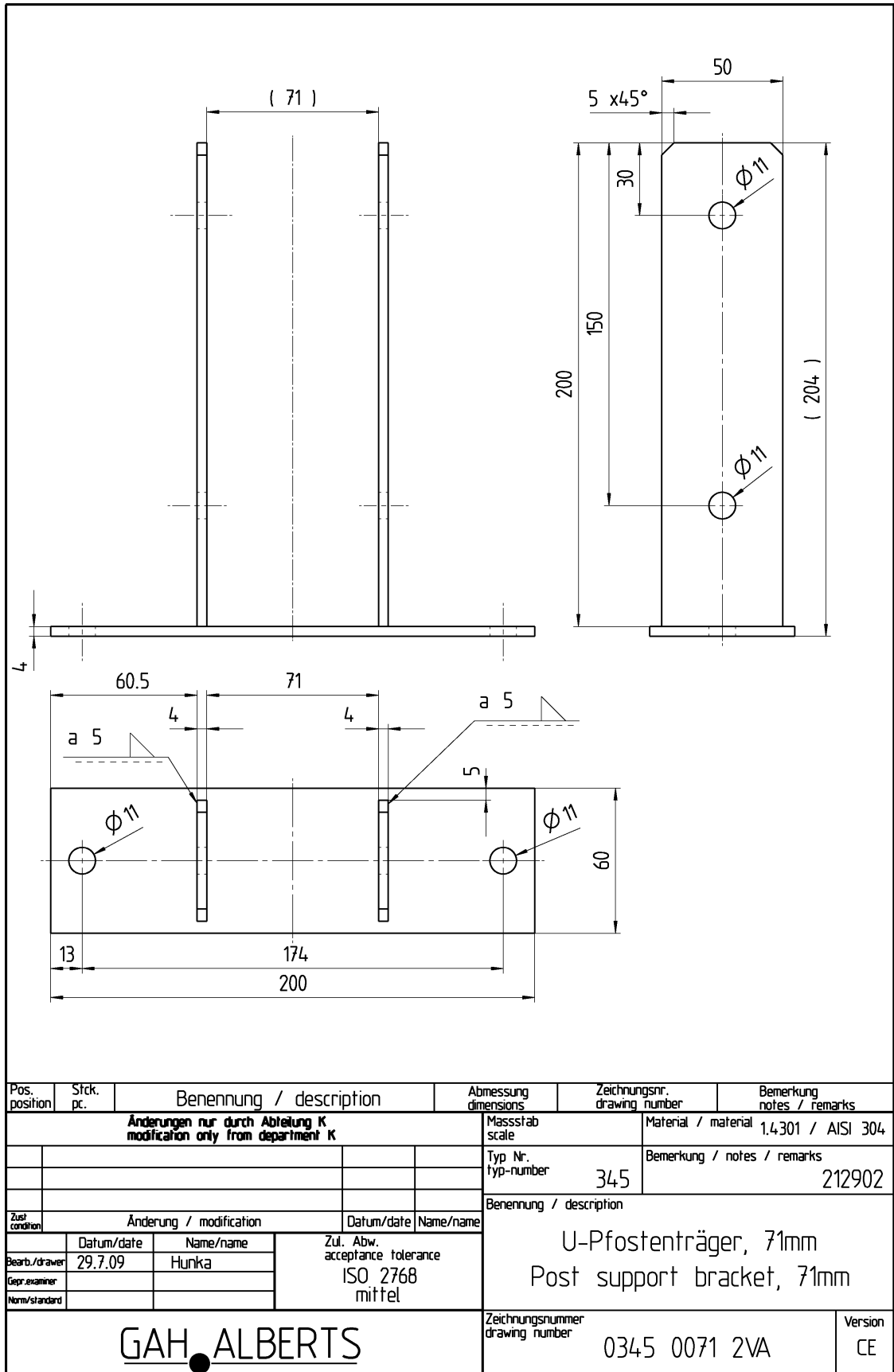


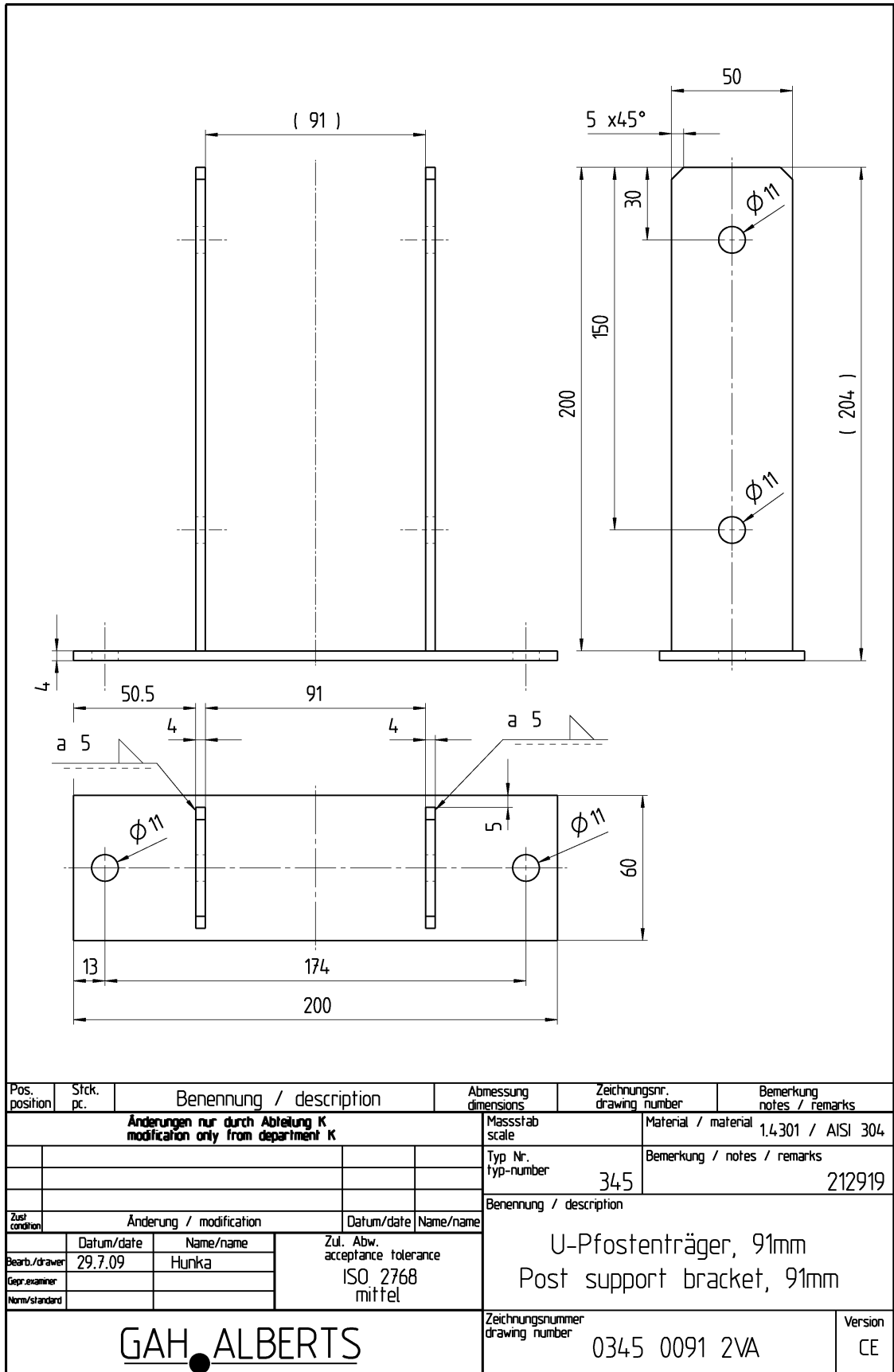


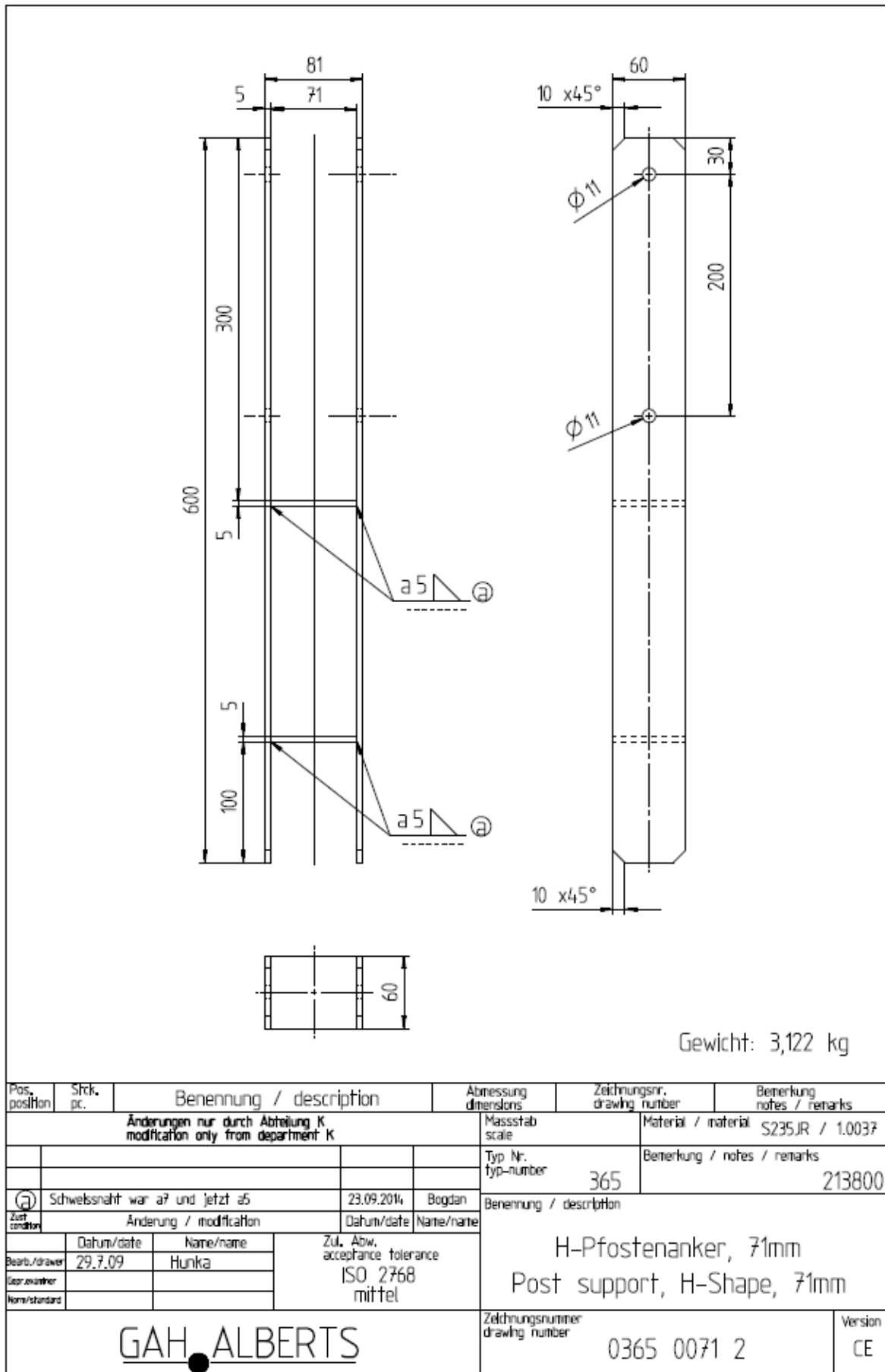


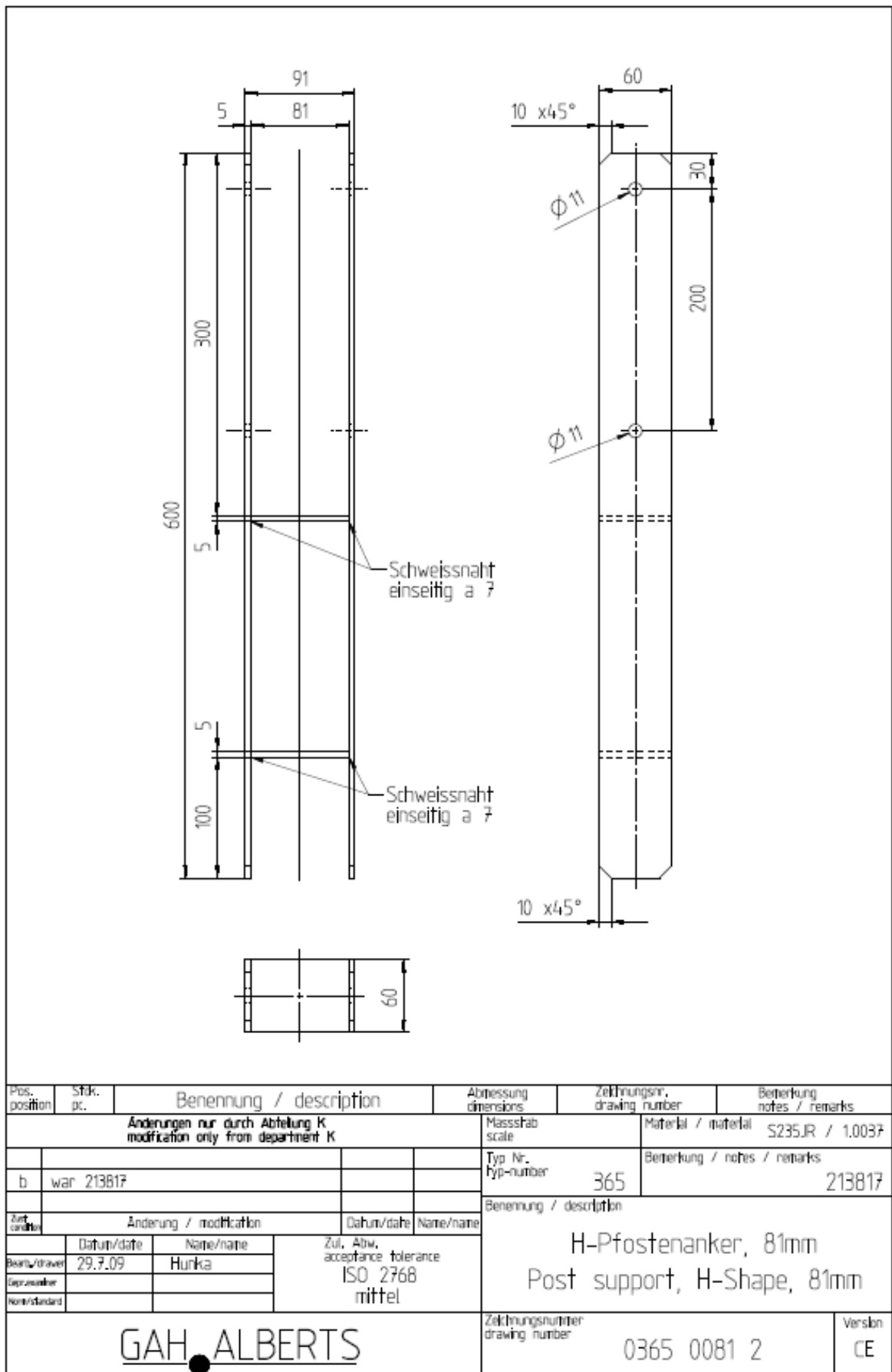


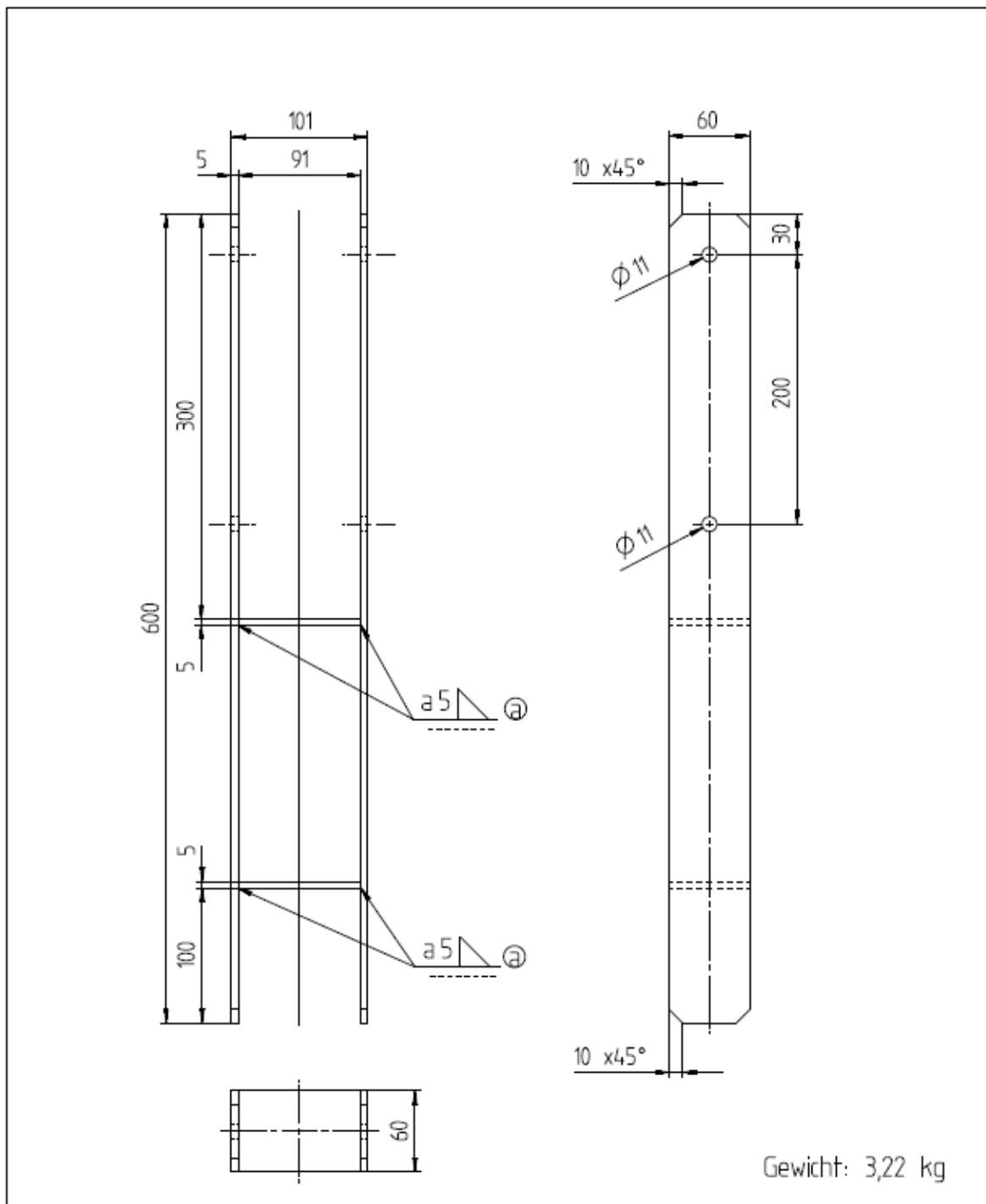






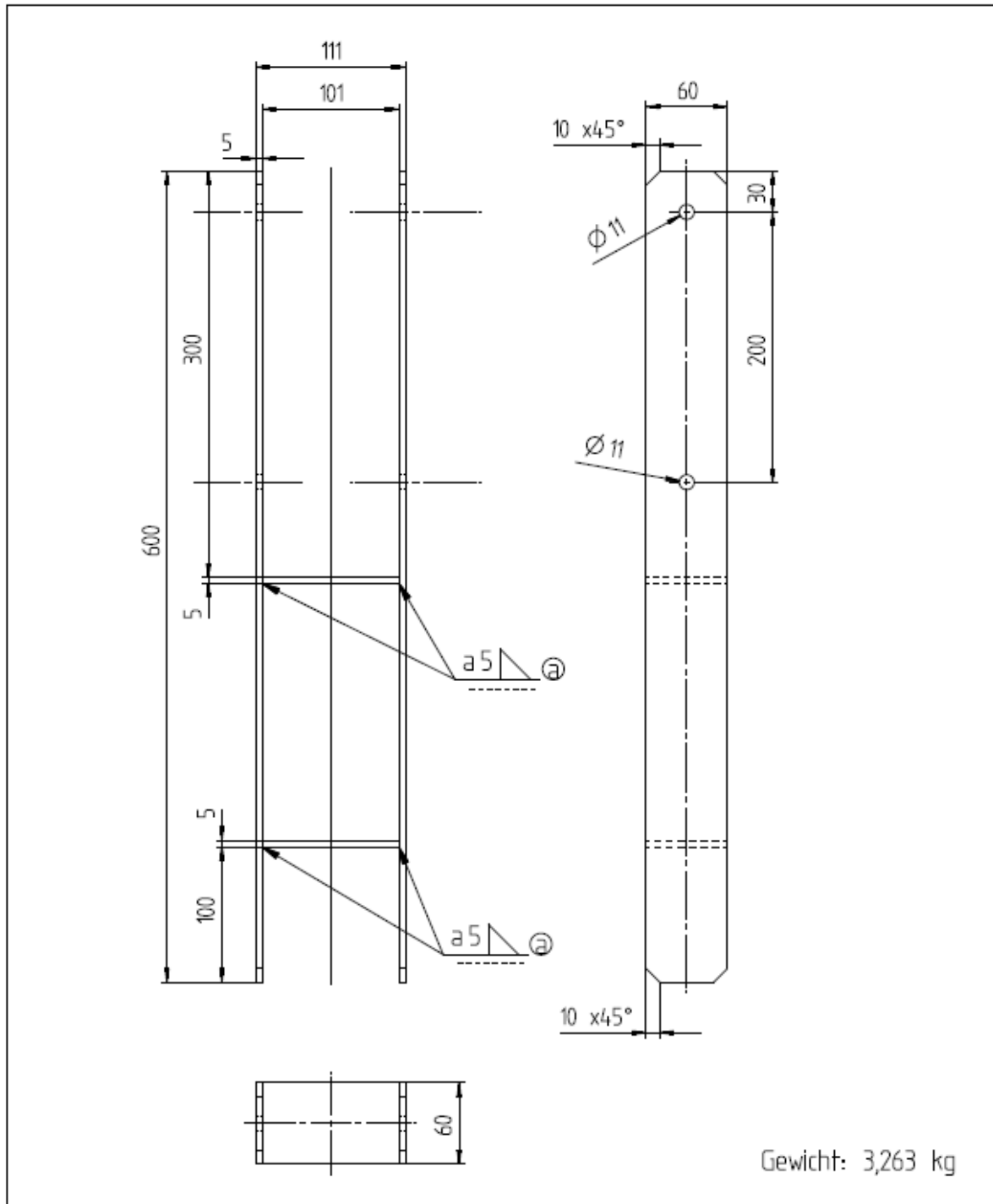






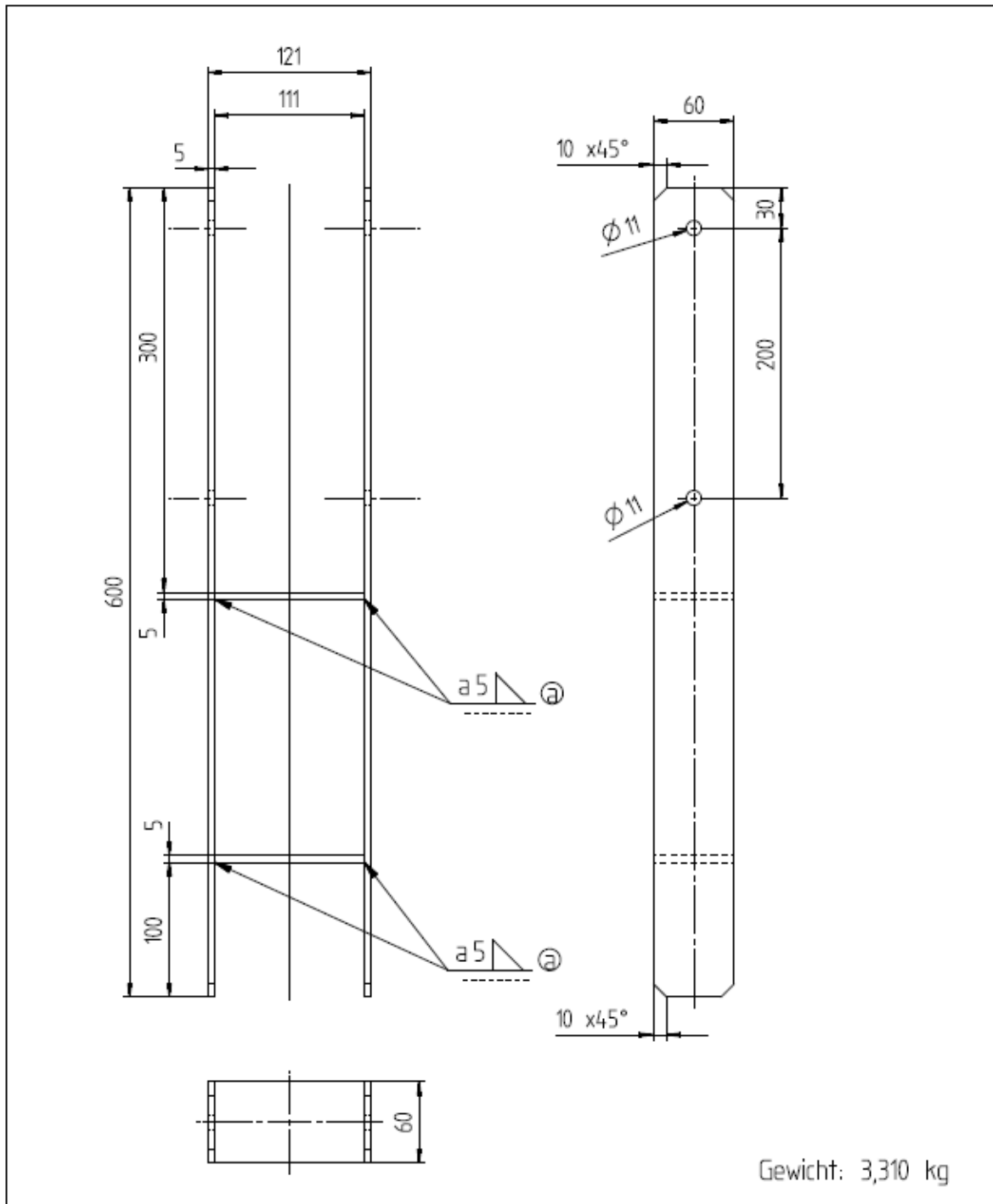
Gewicht: 3,22 kg

Pos. position	Sfck. pc.	Benennung / description		Abmessung dimensions	Zeichnungsnr. drawing number	Bemerkung notes / remarks
Änderungen nur durch Abteilung K modification only from department K				Massstab scale	Material / material S235JR / 1.0037	
				Typ Nr. typ-number	Bemerkung / notes / remarks	
					365	213824
Ⓐ		Schweißnaht war a7 und jetzt a5 Aenderung / modification		Datum/date	Benennung / description	
				Datum/date	Name/name	
		Datum/date	Name/name	Zul. Abw. acceptance tolerance ISO 2768 mittel		
		29.7.09	Hunka			
GAH ALBERTS				Zeichnungsnummer drawing number	0365 0091 2	
					Version CE	



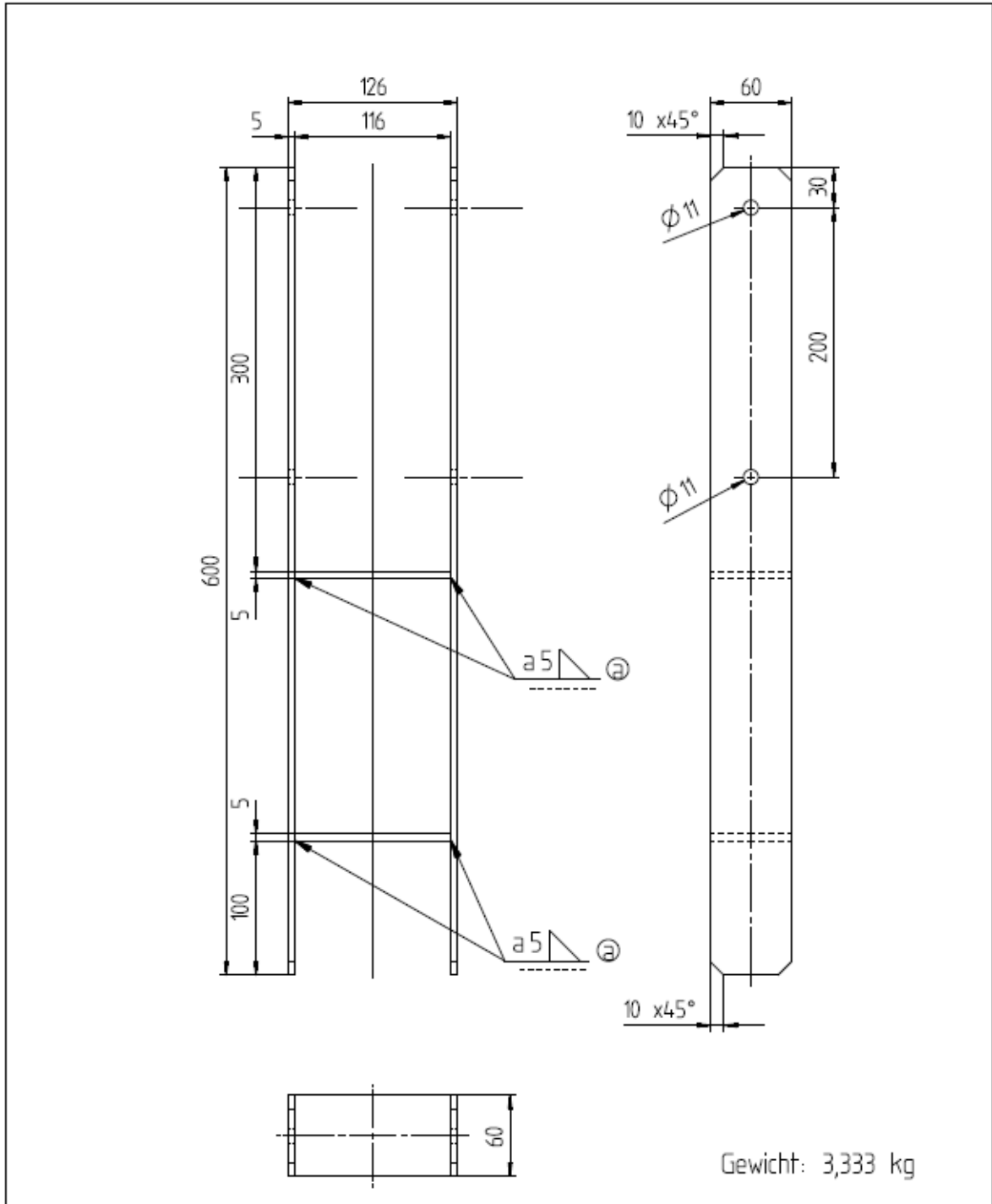
Gewicht: 3,263 kg

Pos. position	Stck. pc.	Benennung / description		Abmessung dimensions	Zeichnungsnr. drawing number	Bemerkung notes / remarks
		Änderungen nur durch Abteilung K modification only from department K		Massstab scale	Material / material	S235JR / 1.0037
				Typ Nr. typ-number	365	Bemerkung / notes / remarks 203917
Ⓐ		Schweißnaht war a7 und jetzt a5	23.09.2014	Bogdan	Benennung / description	
Zust. condition	Änderung / modification		Datum/date	Name/name	H-Pfostenanker, 101mm Post support, H-Shape, 101mm	
Bearb./drawer	Datum/date	Name/name	Zul. Abw. acceptance tolerance ISO 2768 mittel			
Gepr. number						
Norm/standard						
GAH ALBERTS				Zeichnungsnummer drawing number	0365 0101 2	Version CE



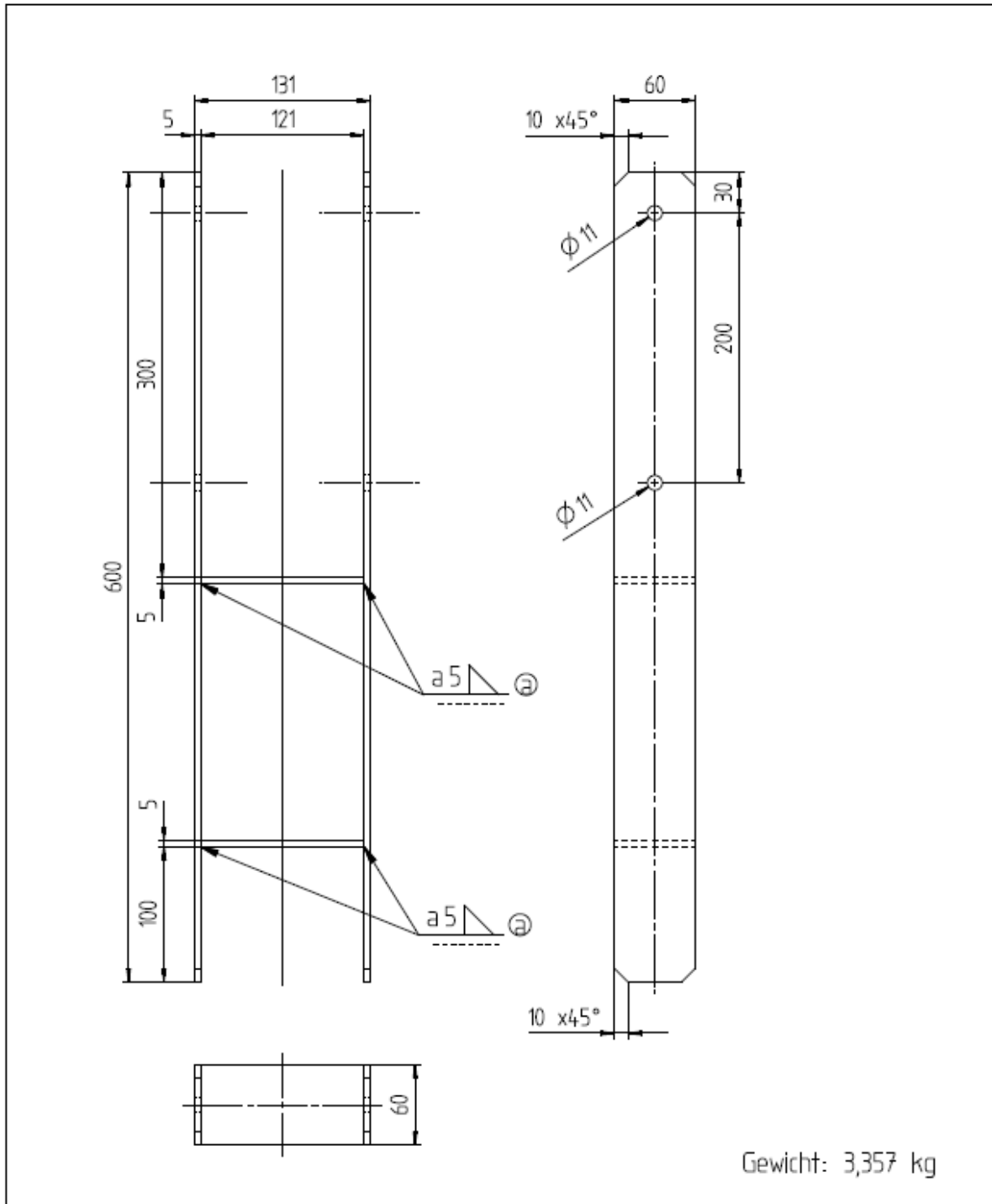
Gewicht: 3,310 kg

Pos. position	Stck. pc.	Benennung / description		Abmessung dimensions	Zeichnungsnr. drawing number	Bemerkung notes / remarks
		Änderungen nur durch Abteilung K modification only from department K		Massstab scale	Material / material	S235JR / 1,0037
				Typ Nr. typ-number	365	Bemerkung / notes / remarks 203924
ⓐ		Schweissnaht war a7 und jetzt a5		23.09.2014	Bogdan	
Zust. condition	Änderung / modification		Datum/date	Name/name		
	Datum/date	Name/name	Zul. Abw. acceptance tolerance			
Bearb./drawer	29.7.09	Hunka	ISO 2768 mittel			
Gez. engineer						
Norm/standard						
GAH ALBERTS				Zeichnungsnummer drawing number	0365 0111 2	Version CE



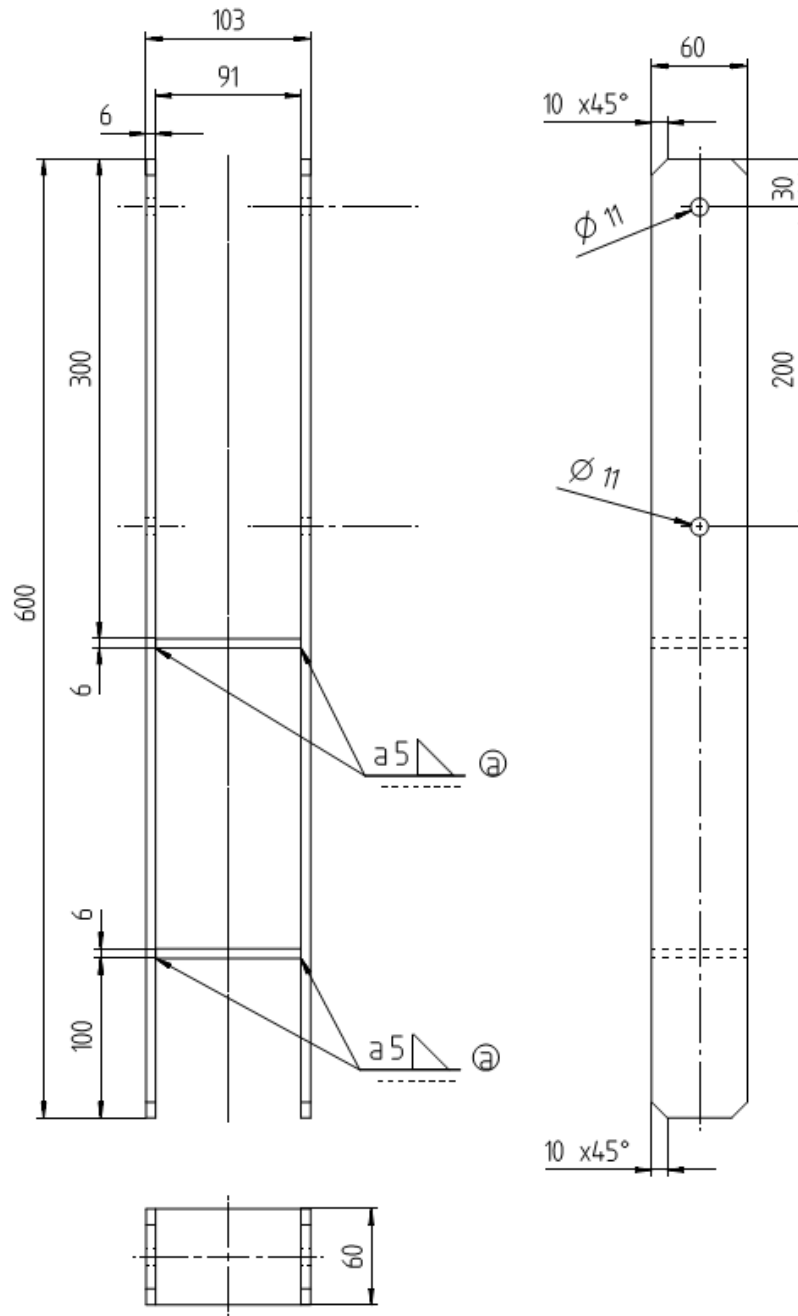
Gewicht: 3,333 kg

Pos. position	Stk. pc.	Benennung / description		Abmessung dimensions	Zeichnungsnr. drawing number	Bemerkung notes / remarks
		Änderungen nur durch Abteilung K modification only from department K		Massstab scale		Material / material S235JR / 1.0037
				Typ Nr. typ-number	365	Bemerkung / notes / remarks 203931
⊕		Schweissnaht war a7 und jetzt a5	23.09.2014	Bogdan	Benennung / description	
Zust. condition	Änderung / modification		Datum/date	Name/name	H-Pfostenträger, 116mm Post support, H-Shape, 116mm	
Bearb./drawer	Datum/date	Name/name	Zul. Abw. acceptance tolerance ISO 2768 mittel			
Gepr. examiner						
Norm/standard						
GAH ALBERTS				Zeichnungsnummer drawing number	0365 0116 2	Version CE



Gewicht: 3,357 kg

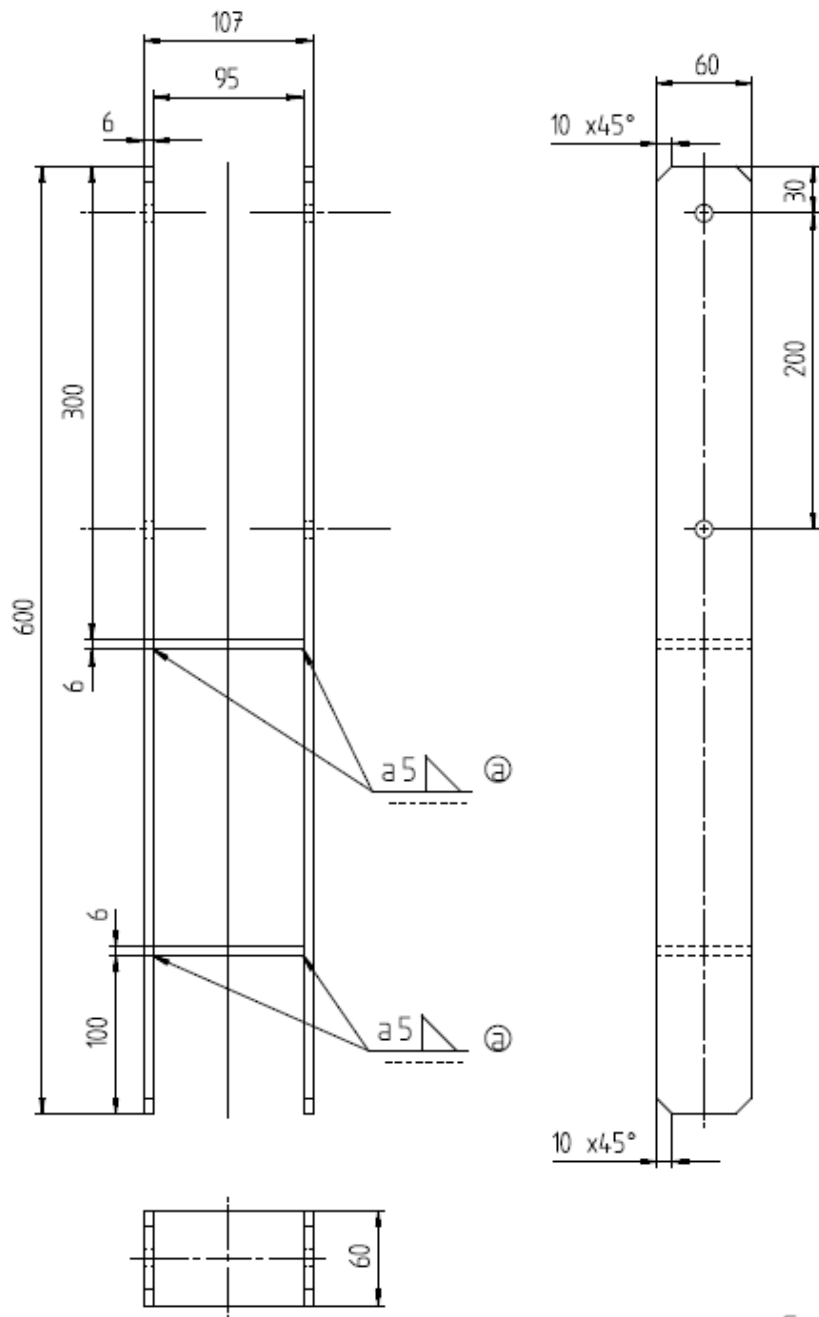
Pos. position	Sfck. pt.	Benennung / description		Abmessung dimensions	Zeichnungsnr. drawing number	Bemerkung notes / remarks
		Änderungen nur durch Abteilung K modification only from department K		Massstab scale		Material / material S235JR / 1.0037
				Typ Nr. typ-number	365	Bemerkung / notes / remarks 203948
Ⓐ		Schweissnaht war a7 und jetzt a5	23.09.2014	Bogdan	Benennung / description	
Zust. condition	Änderung / modification		Datum/date	Name/name	H-Pfostenanker, 121mm Post support, H-Shape, 121mm	
Bearb./drawer	Datum/date	Name/name	ZUL. Abw. acceptance tolerance ISO 2768 mittel			
Gepr. executor						
Norm/standard						
GAH ALBERTS				Zeichnungsnummer drawing number	0365 0121 2	Version CE



Gewicht: 3,86 kg

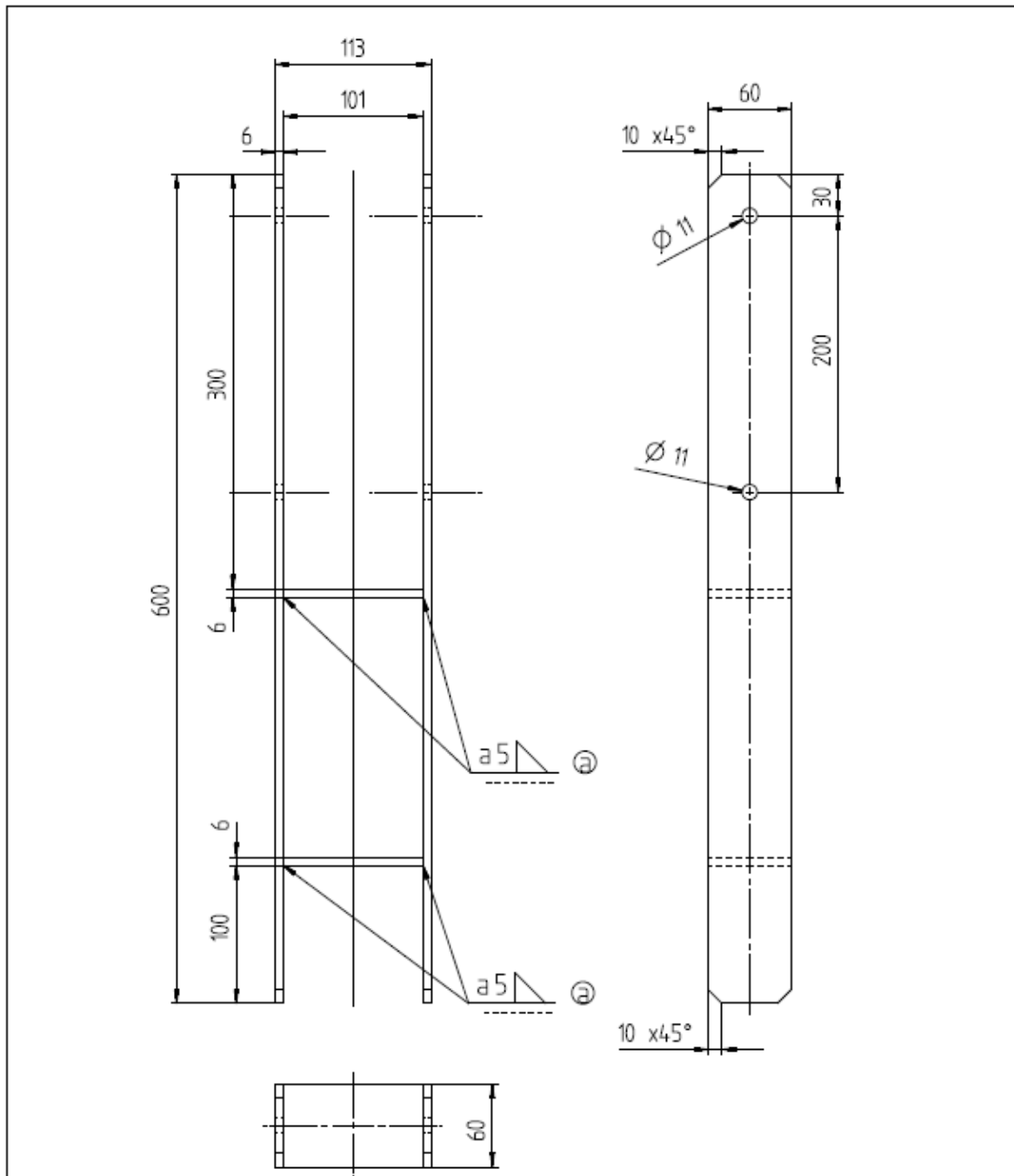
Pos. position	Stck. pc.	Benennung / description	Abmessung dimensions	Zeichnungsnr. drawing number	Bemerkung notes / remarks
		Änderungen nur durch Abteilung K modification only from department K		Massstab scale	Material / material S235JR / 1.0037
				Typ Nr. typ-number 365v	Bemerkung / notes / remarks 213626
Ⓐ		Schweissnaht war a7 und jetzt a5	23.09.2014	Bogdan	
Zust. condition		Änderung / modification	Datum/date	Name/name	Benennung / description
Bearb./drawer	Datum/date	Name/name	Zul. Abw. acceptance tolerance ISO 2768 mittel		
Gepr. examiner					
Norm/standard					
GAH ALBERTS				Zeichnungsnummer drawing number	Version
				365v 0091 2	CE

H-Pfostenanker, schwer, 91mm
Post support, H-Shape, heavy, 91mm



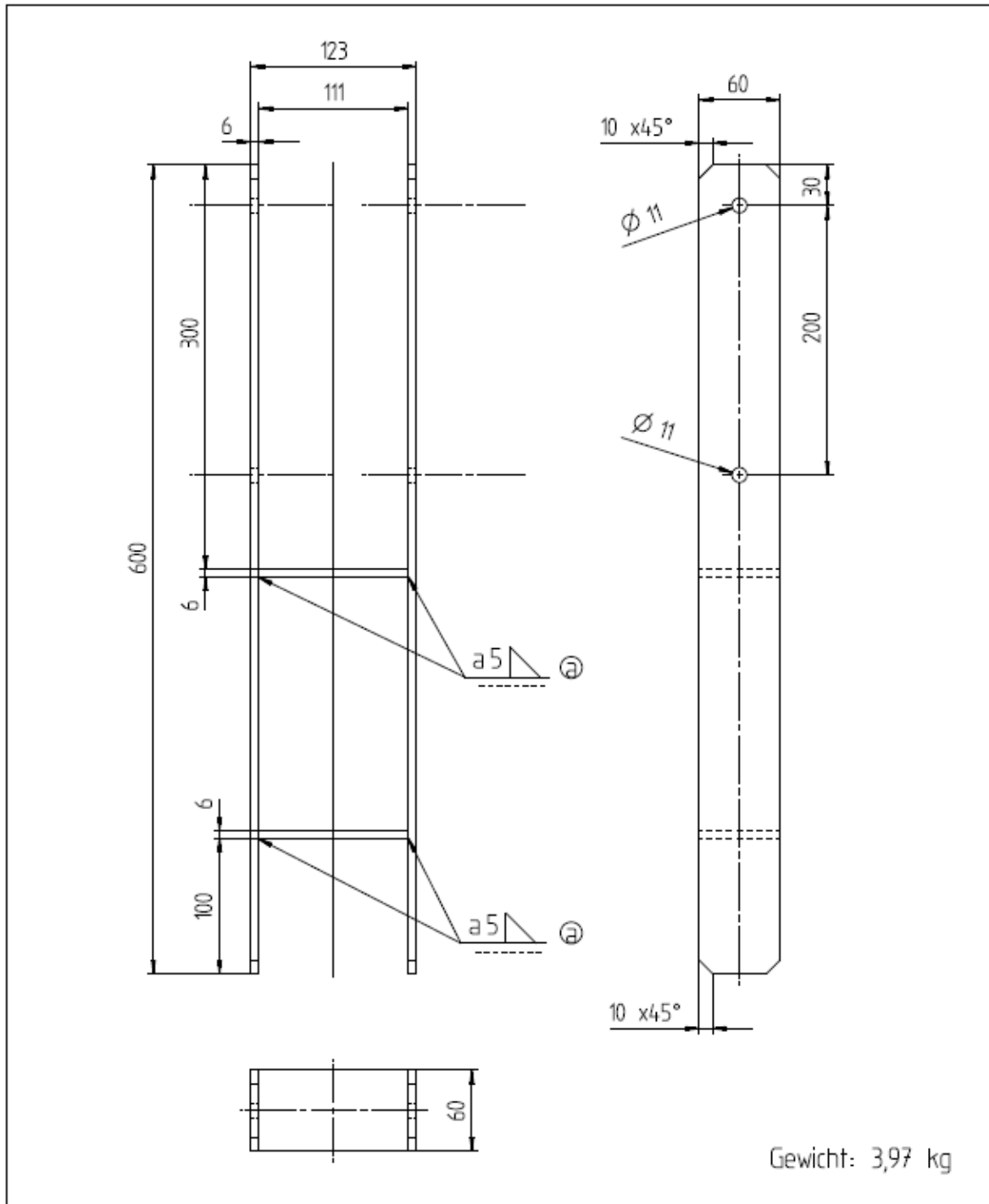
Gewicht: 3,88 kg

Pos. position	Stck. pc.	Benennung / description	Abmessung dimensions	Zeichnungsnr. drawing number	Bemerkung notes / remarks
Änderungen nur durch Abteilung K modification only from department K			Massstab scale	Material / material	S235JR / 1.0037
			Typ Nr. typ-number	Bemerkung / notes / remarks	
				365v	213886
ⓐ	Schweißnaht war a7 und jetzt a5		23.09.2014	Bogdan	Benennung / description
Zust. condition	Änderung / modification		Datum/date	Name/name	H-Pfostenanker, schwer, 95mm Post support, H-Shape, heavy, 95mm
Bearb./drawer	Datum/date	Name/name	Zul. Abw. acceptance tolerance		
Gez. number			ISO 2768		
Norm/standard			mittel		
GAH ALBERTS				Zeichnungsnummer drawing number	Version
				365v 0095 2	CE



Gewicht: 3,92 kg

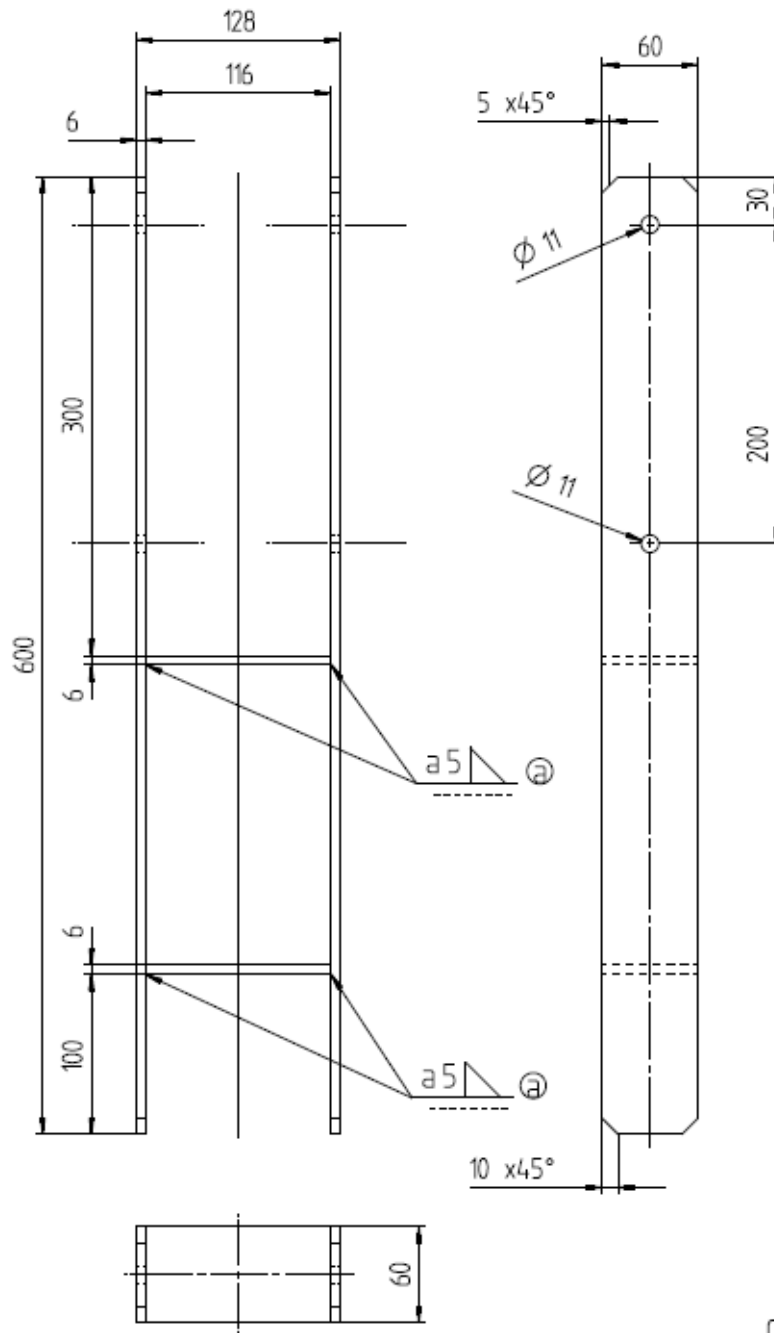
Pos. position	Stck. pc.	Benennung / description		Abmessung dimensions	Zeichnungsnr. drawing number	Bemerkung notes / remarks
Änderungen nur durch Abteilung K modification only from department K				Massstab scale	Material / material S35JR / 1.0037	
				Typ Nr. typ-number	Bemerkung / notes / remarks	
					365v	213831
ⓐ	Schweißnaht war a7 und jetzt a5		23.09.2014	Bogdan	Benennung / description	
Zust. condition	Änderung / modification		Datum/date	Name/name	H-Pfostenanker, schwer, 101mm Post support, H-Shape, heavy, 101mm	
Bearb./drawer	Datum/date	Name/name	Zul. Abw. acceptance tolerance			
Gezeichnet	28.7.09	Hunka	ISO 2768 mittel			
Nom./standard						
GAH ALBERTS					Zeichnungsnummer drawing number	Version
					365v 0101 2	CE



Gewicht: 3,97 kg

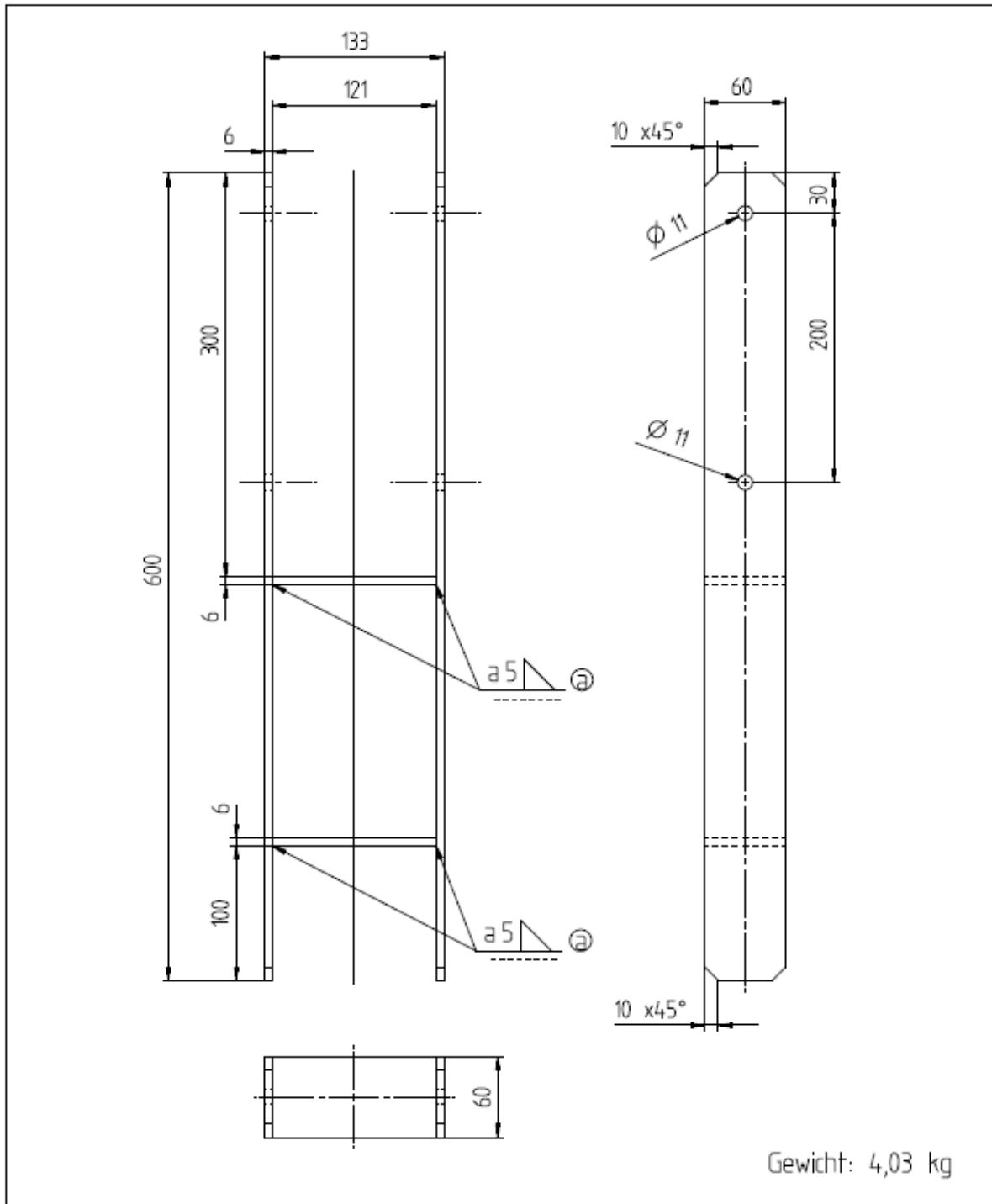
Pos. position	Stck. pc.	Benennung / description	Abmessung dimensions	Zeichnungsnr. drawing number	Bemerkung notes / remarks
Änderungen nur durch Abteilung K modification only from department K			Massstab scale	Material / material S235JR / 1.0037	
			Typ Nr. typ-number	Bemerkung / notes / remarks	
			365v	213879	
Ⓐ		Schweissnaht war a7 und jetzt a5	23.09.2014	Bogdan	Benennung / description
Zust. condition	Änderung / modification		Datum/date	Name/name	
Bearb./drawer	Datum/date	Name/name	Zul. Abw. acceptance tolerance ISO 2768 mittel		
Gepr. number					
Norm/standard					
GAH ALBERTS			Zeichnungsnummer drawing number	365v 0111 2	
			Version		CE

H-Pfostenanker, schwer, 111mm
Post support, H-Shape, heavy, 111mm



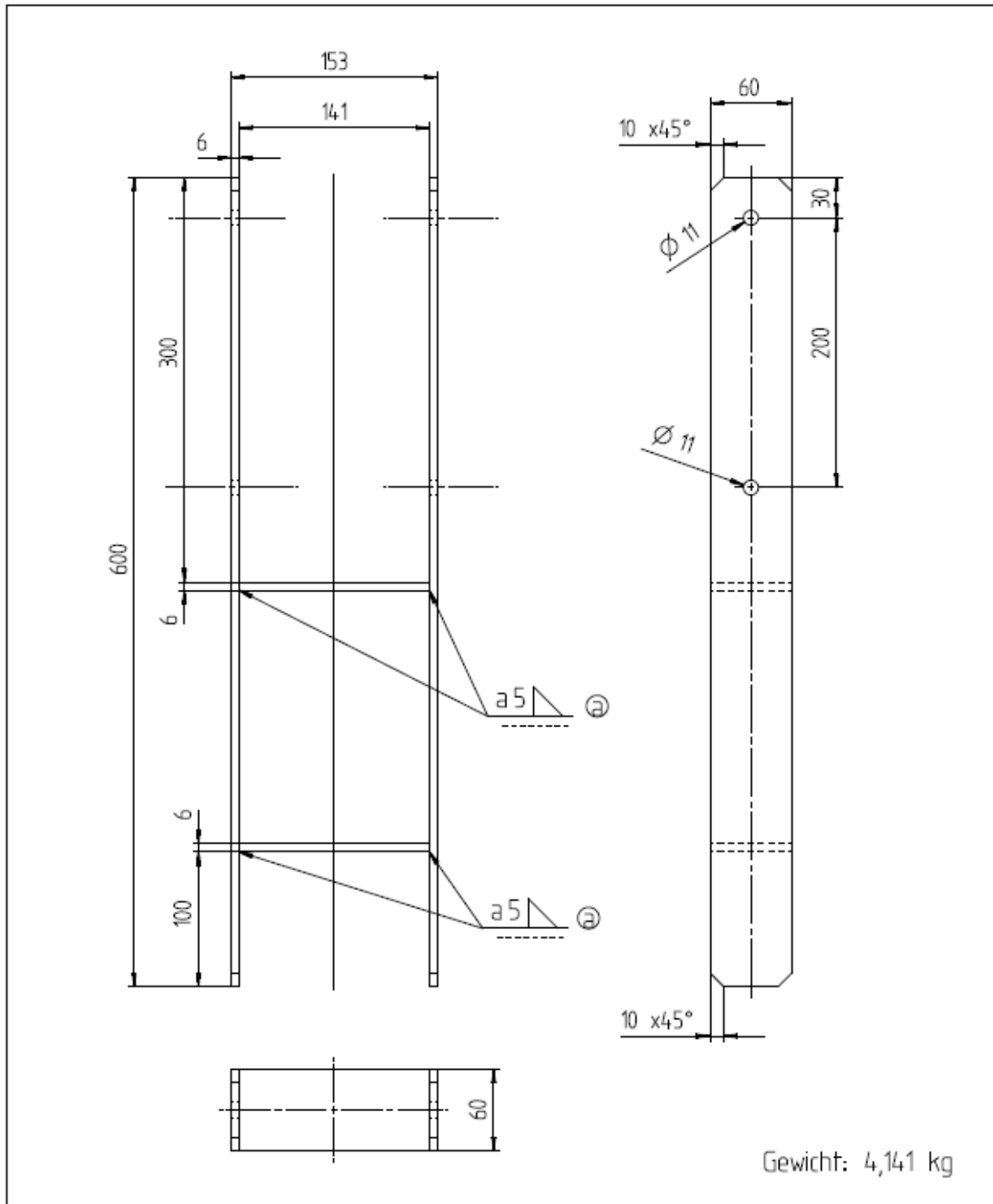
Gewicht: 4,0 kg

Pos. position	Stck. pc.	Benennung / description		Abmessung dimensions	Zeichnungsnr. drawing number	Bemerkung notes / remarks
		Änderungen nur durch Abteilung K modification only from department K		Massstab scale	Material / material	S235JR / 1.0037
				Typ Nr. typ-number	365v	Bemerkung / notes / remarks 213916
Ⓐ		Schweißnaht war a7 und jetzt a5	23.09.2014	Bogdan	Benennung / description	
Zust. condition	Änderung / modification		Datum/date	Name/name	H-Pfostenanker, schwer, 116mm Post support, H-Shape, heavy, 116mm	
Bearb./drawer	28.7.09	Hunka	Zul. Abw. acceptance tolerance ISO 2768 mittel		Zeichnungsnummer drawing number 365v 0116 2	
Gepr./anther						
Norm/standard						
GAH ALBERTS				Version		CE



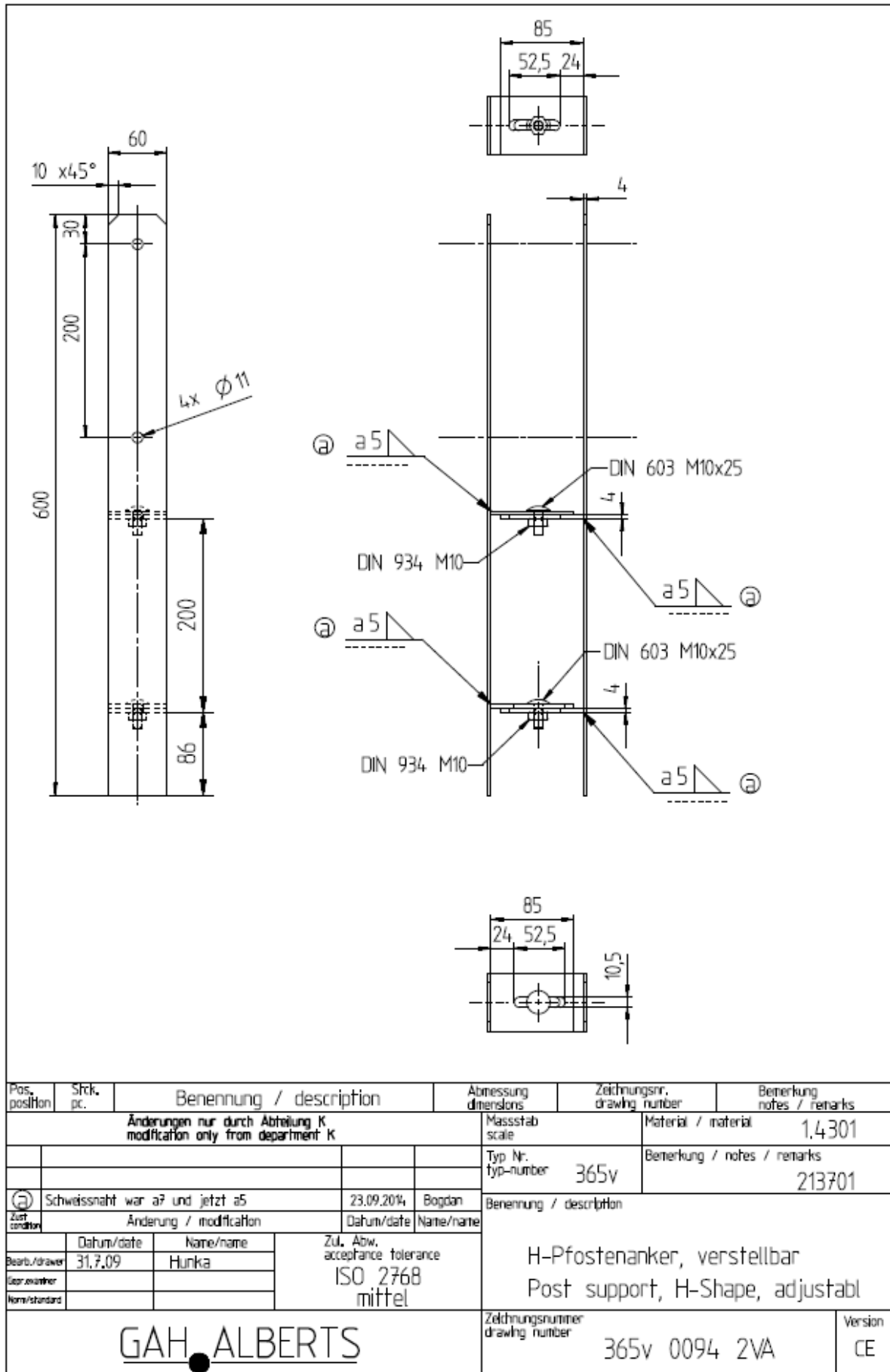
Gewicht: 4,03 kg

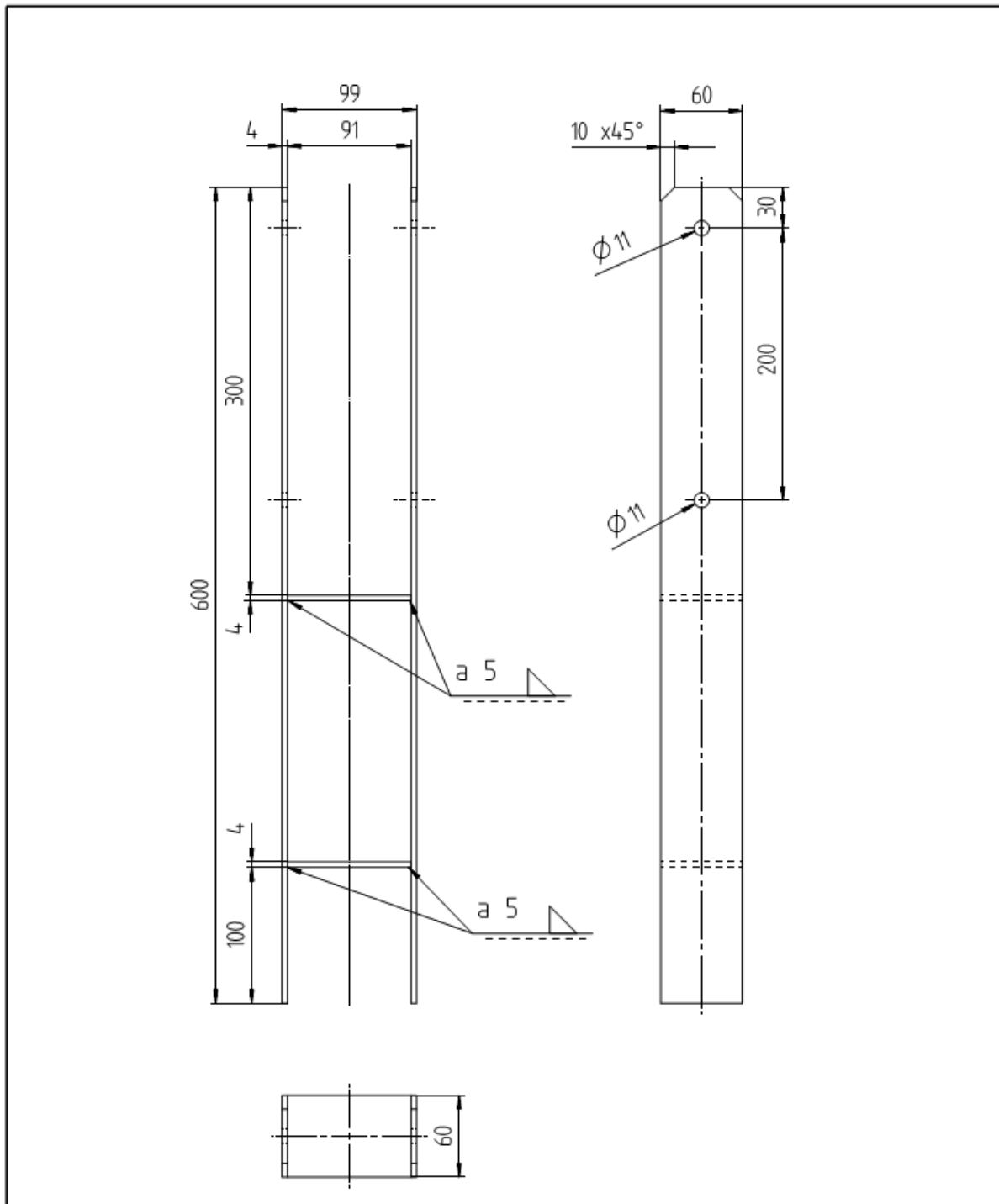
Pos. position	Stck. pc.	Benennung / description		Abmessung dimensions	Zeichnungsnr. drawing number	Bemerkung notes / remarks
Änderungen nur durch Abteilung K modification only from department K				Massstab scale	Material / material S235JR / 1.0037	
b	war 213848			Typ Nr. typ-number	365v	Bemerkung / notes / remarks 213848
ⓐ	Schweißnaht war a7 und jetzt a5		23.09.2014	Bogdan	Benennung / description	
Zust. condition	Änderung / modification		Datum/date	Name/name	H-Pfostenanker, schw, 121mm Post support, H-Shape, heavy, 121mm	
Bearb./drawer	Datum/date	Name/name	Zul. Abw. acceptance tolerance ISO 2768 mittel			
Gez. number						
Nom./standard						
GAH ALBERTS				Zeichnungsnummer drawing number	365v 0121 2	Version CE



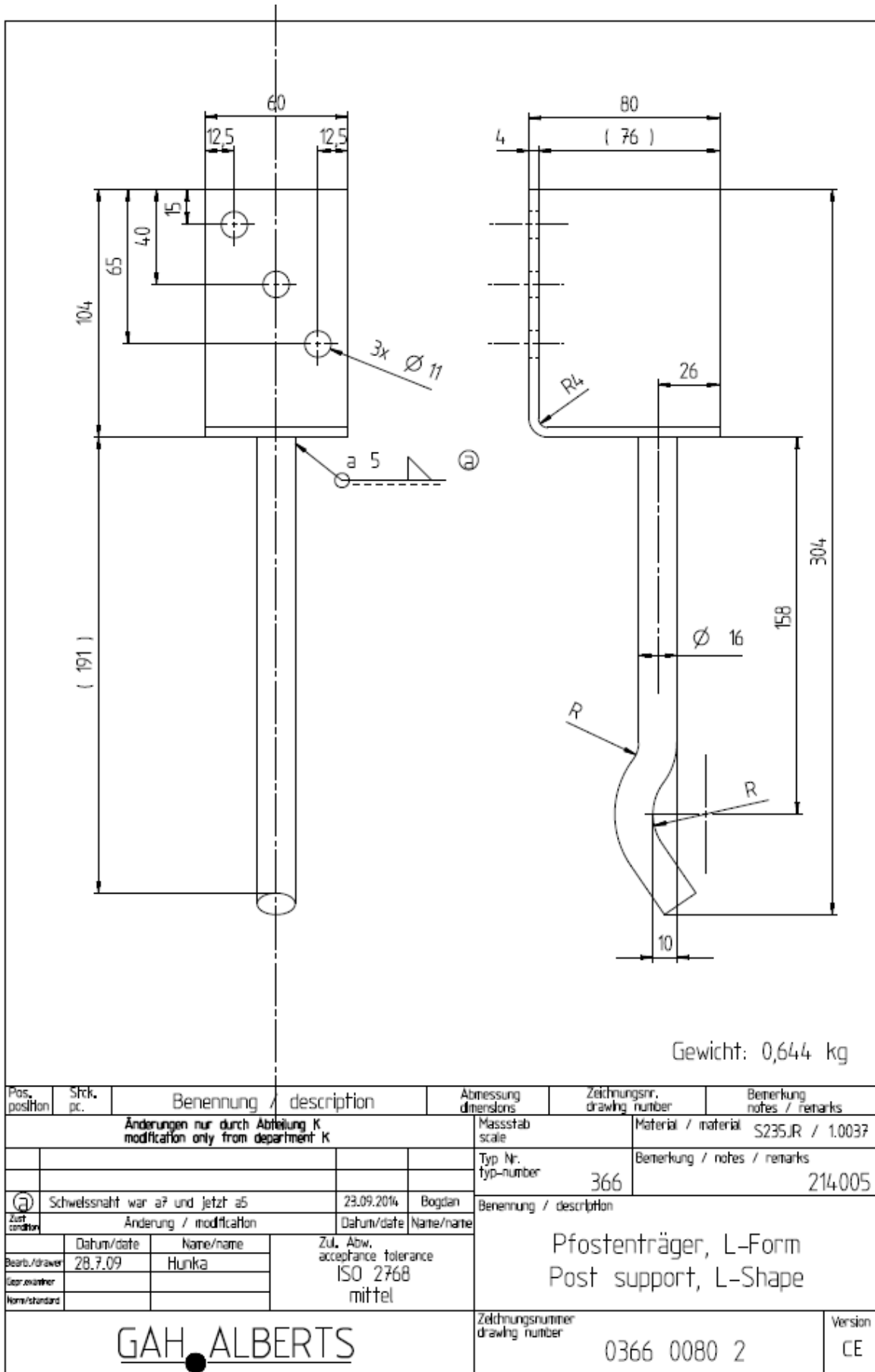
Gewicht: 4,141 kg

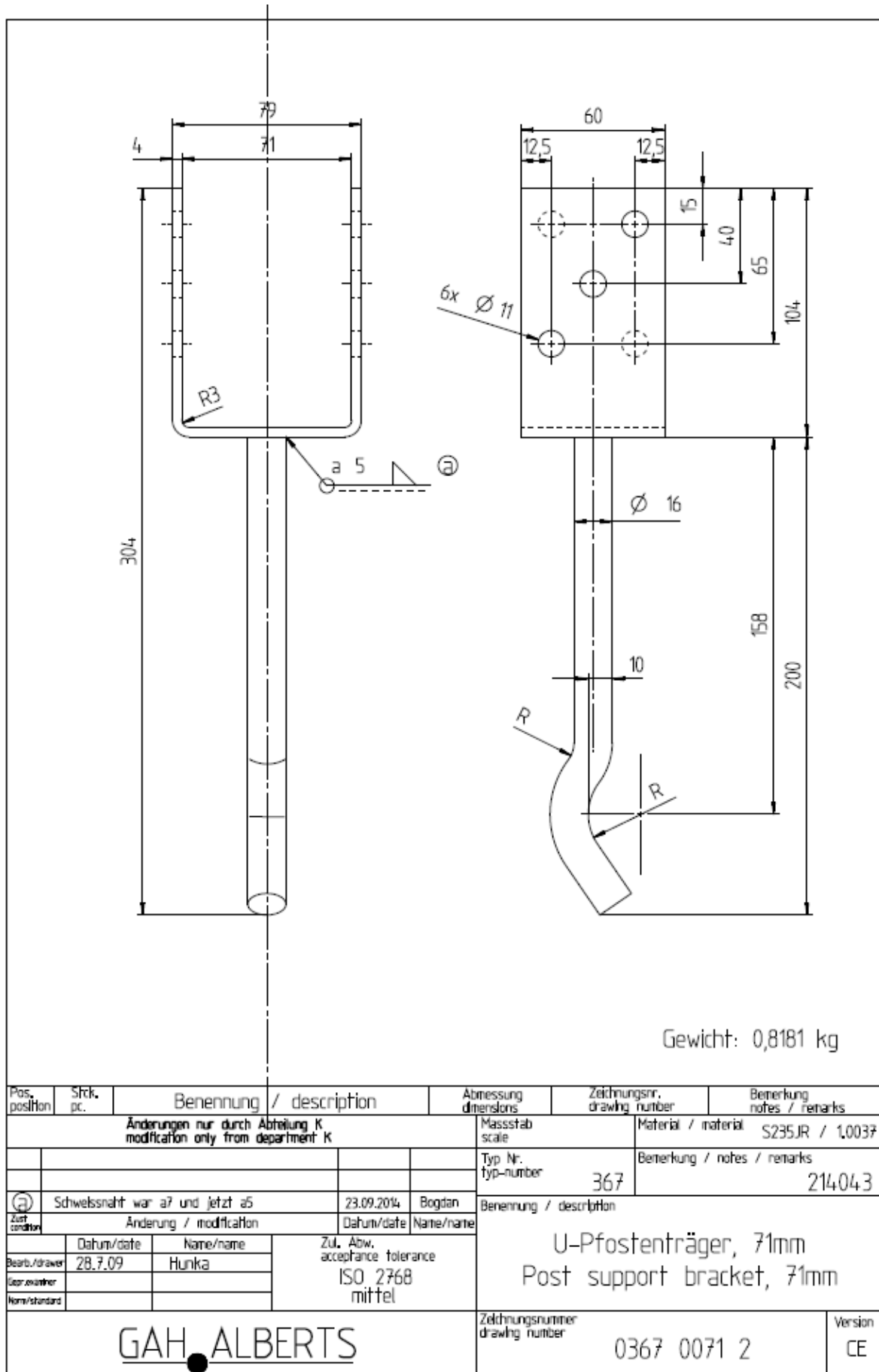
Pos. position	Stck. pc.	Benennung / description		Abmessung dimensions	Zeichnungsnr. drawing number	Bemerkung notes / remarks
Änderungen nur durch Abteilung K modification only from department K				Massstab scale	Material / material	S235JR / 1.0037
				Typ Nr. typ-number	365v	Bemerkung / notes / remarks 213893
Ⓐ		Schweißnaht war a7 und jetzt a5	23.09.2014	Bogdan	Benennung / description	
Zust. condition	Änderung / modification		Datum/date	Name/name	H-Pfostenanker, schwer, 141mm Post support, H-Shape, heavy, 141mm	
Bearb./drawer	Datum/date	Name/name	Zul. Abw. acceptance tolerance ISO 2768 mittel			
Gepr. number						
Norm/standard						
GAH ALBERTS				Zeichnungsnummer drawing number	365v 0141 2	Version CE



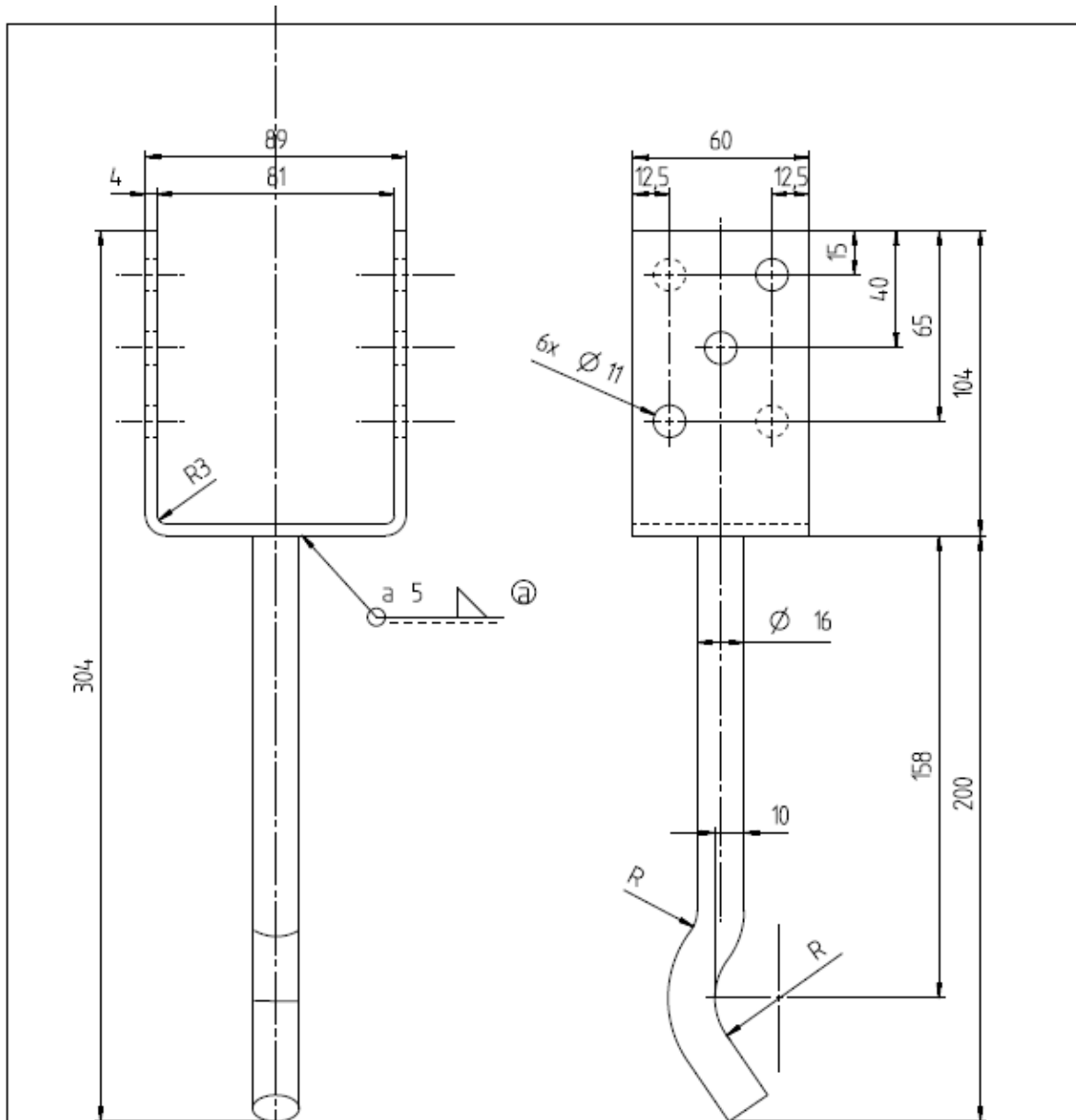


Pos. position	Stck. pc.	Benennung / description		Abmessung dimensions	Zeichnungsnr. drawing number	Bemerkung notes / remarks
Änderungen nur durch Abteilung K modification only from department K				Massstab scale	Material / material	1.4301
				Typ Nr. typ-number	365	Bemerkung / notes / remarks 213718
Zust. condition	Änderung / modification		Datum/date	Name/name		
Bearb./drawer	Datum/date	Name/name	Zul. Abw. acceptance tolerance ISO 2768 mittel			
Gepr. examiner						
Norm/standard						
GAH ALBERTS				Zeichnungsnummer drawing number		Version
				0365 0091 2VA		CE



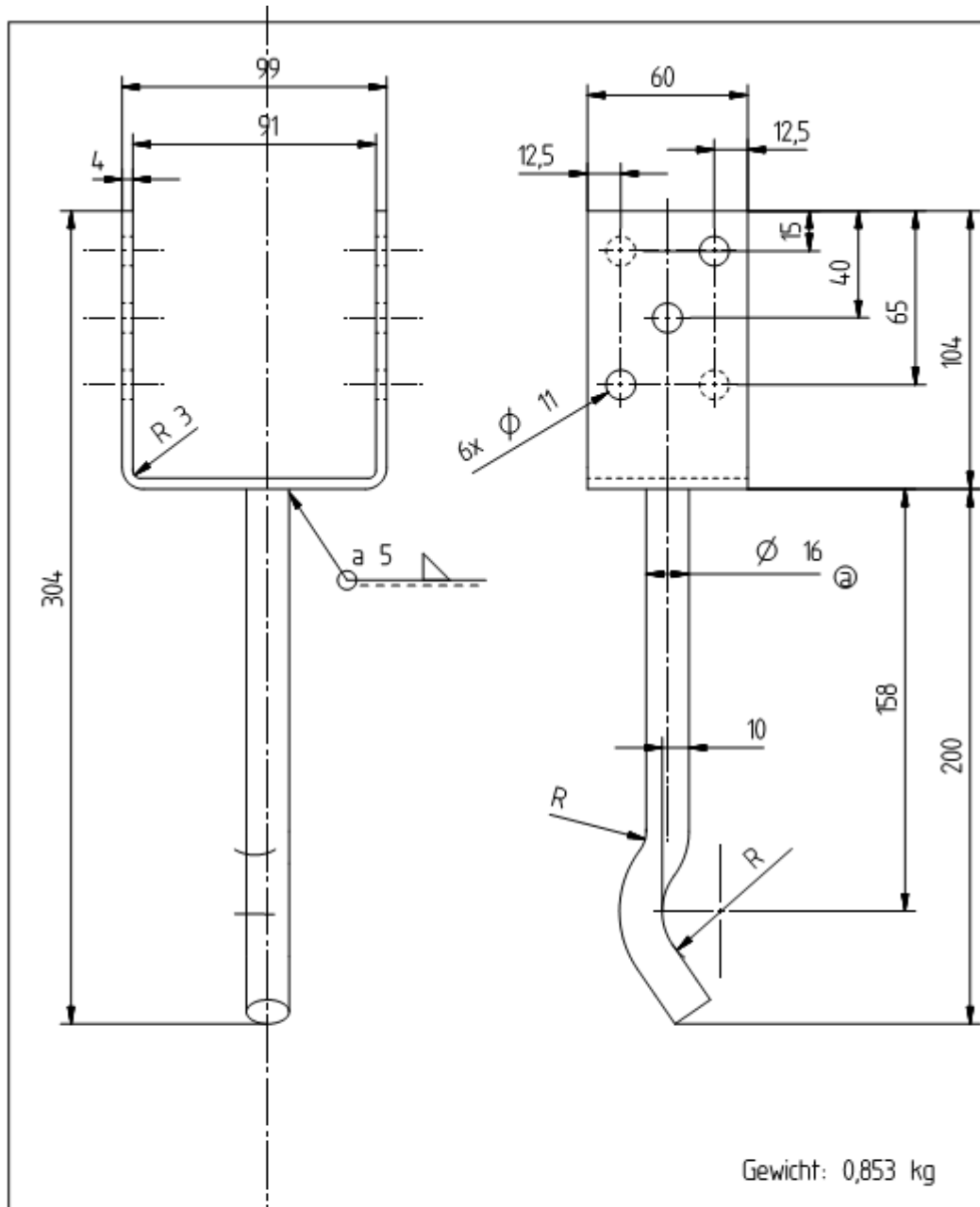


Pos. position	Stck. pc.	Benennung / description	Abmessung dimensions	Zeichnungsnr. drawing number	Bemerkung notes / remarks
Änderungen nur durch Abteilung K modification only from department K			Massstab scale	Material / material	S235JR / 1.0037
			Typ Nr. typ-number	Bemerkung / notes / remarks	
			367	214.043	
Ⓐ	Schweißnaht war a7 und jetzt a5 Anderung / modification		23.09.2014	Bogdan	Benennung / description
	Datum/date	Name/name	U-Pfostenträger, 71mm Post support bracket, 71mm		
Bearb./drawer	28.7.09	Hunka			
Gepr. examiner					
Norm/standard					
			Zul. Abw. acceptance tolerance		
			ISO 2768		
			mittel		
GAH ALBERTS				Zeichnungsnummer drawing number	Version
				0367 0071 2	CE



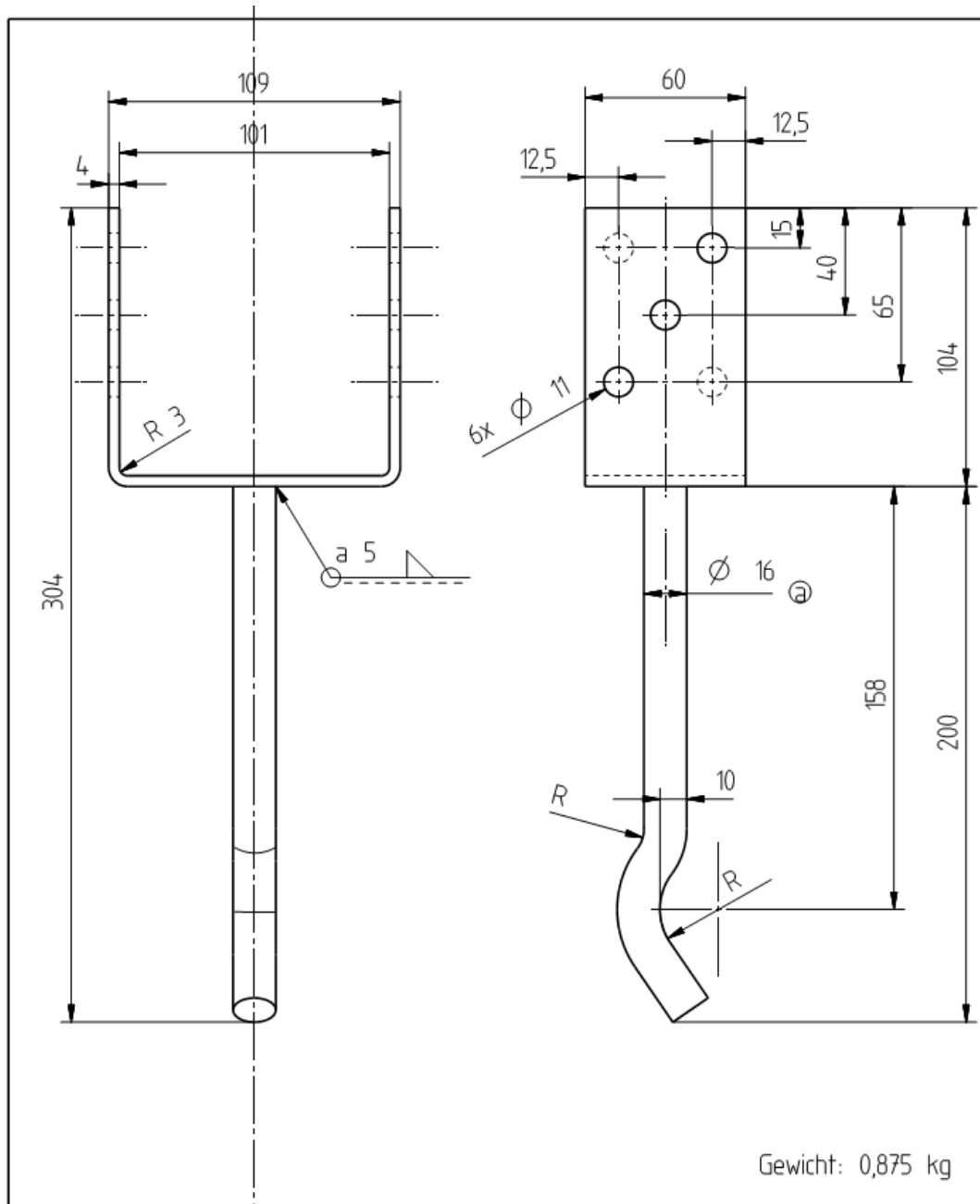
Gewicht: 0,837 kg

Pos. position	Stck. pc.	Benennung / description		Abmessung dimensions	Zeichnungsnr. drawing number	Bemerkung notes / remarks
		Änderungen nur durch Abteilung K modification only from department K		Massstab scale	Material / material	S235JR / 1,0037
				Typ Nr. typ-number	Bemerkung / notes / remarks	
					367	214067
Ⓐ		Schweißnaht war a7 und jetzt a5 Anderung / modification		Datum/date	Name/name	Benennung / description
		Datum/date	Name/name	Zul. Abw. acceptance tolerance		U-Pfostenträger, 81mm Post support bracket, 81mm
Bearb./drawer	28.7.09	Hunka	ISO 2768			
Gepr.zeichner			mittel			
Norm/standard						
GAH ALBERTS				Zeichnungsnummer drawing number	0367 0081 2	Version CE



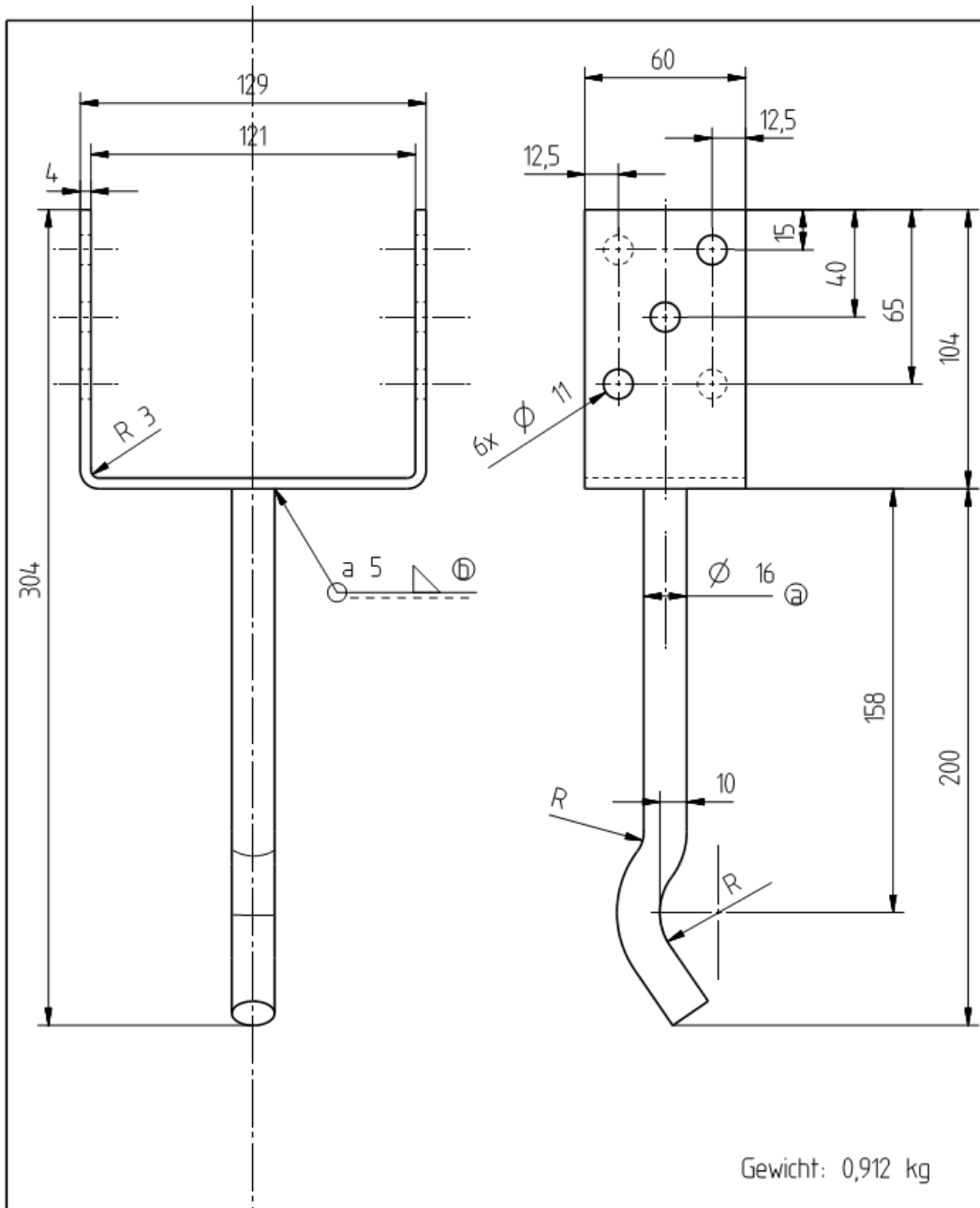
Gewicht: 0,853 kg

Pos. position	Stk. pc.	Benennung / description		Abmessung dimensions	Zeichnungsnr. drawing number	Bemerkung notes / remarks
		Änderungen nur durch Abteilung K modification only from department K		Massstab scale		Material / material S235JR (St37-2)
				Typ Nr. typ-number	367	Bemerkung / notes / remarks EAN-Nr. 21 40 74
		ⓐ war \varnothing 18mm	22.03.07	Ochmann	Benennung / description	
		Änderung / modification		Datum/date	U-Pfostenraeger, lichte Weite 91mm post support bracket, 91mm	
		Datum/date	Name/name	Zul. Abw. acceptance tolerance		
		21.12.2006	Sommer	DIN 7168-m		
					Zeichnungsnummer drawing number	Version
		GAH ALBERTS			0367 0091 2	



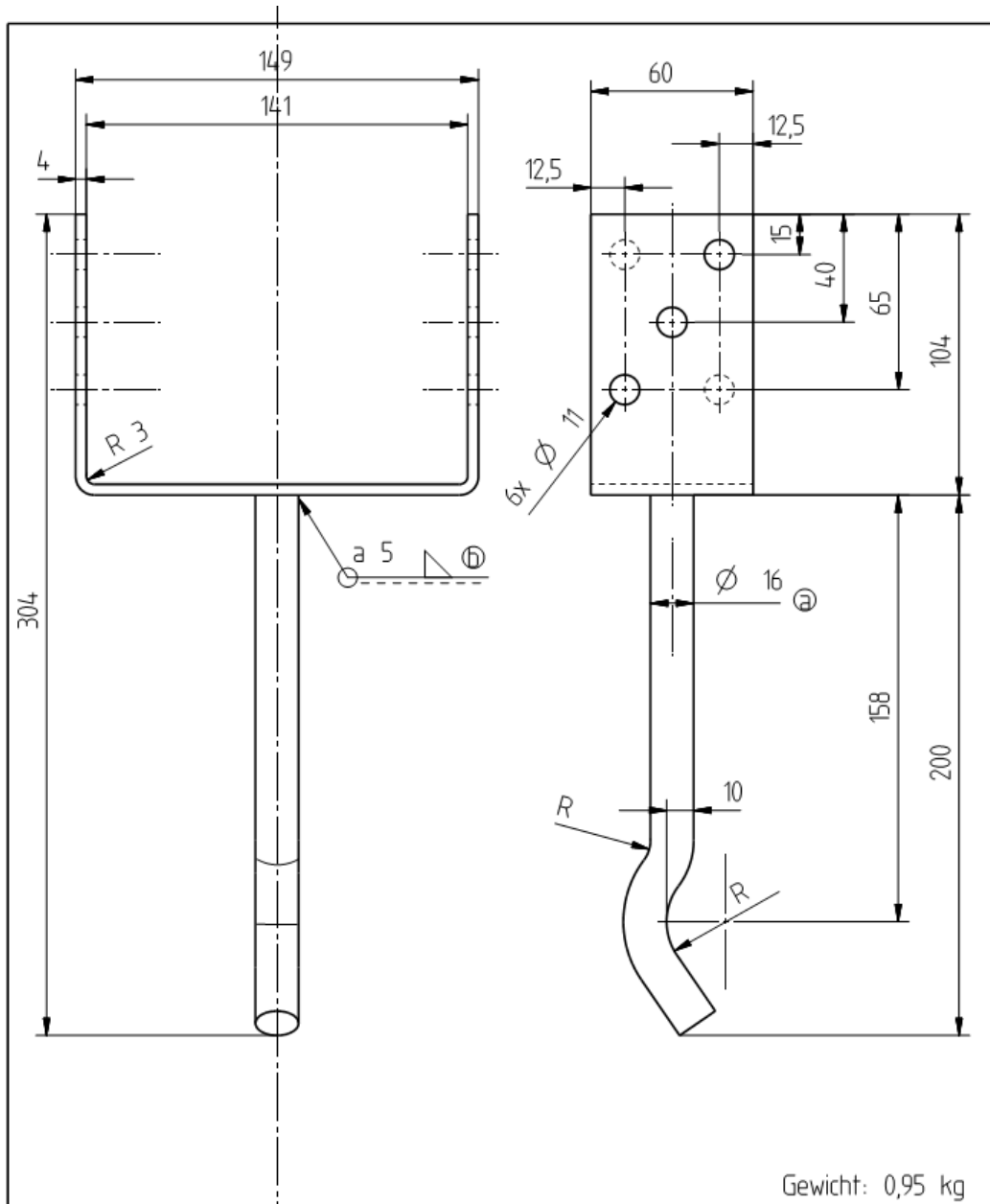
Gewicht: 0,875 kg

Pos. position	Stck. pc.	Benennung / description		Abmessung dimensions	Zeichnungsnr. drawing number	Bemerkung notes / remarks
Änderungen nur durch Abteilung K modification only from department K				Maßstab scale	Material / material S235JR (St37-2)	
				Typ Nr. typ-number 367	Bemerkung / notes / remarks EAN-Nr. 21 40 98	
ⓐ	war	∅ 18mm	22.03.07	Ochmann	Benennung / description	
Zust. condition	Änderung / modification		Datum/date	Name/name	U-Pfostentraeger, lichte Weite 101mm post support bracket, 101mm	
Bearb./drawer	Datum/date	Name/name	Zul. Abw. acceptance tolerance		Zeichnungsnummer drawing number 0367 0101 2	
Gepr. examiner	21.12.2006	Sommer	DIN 7168-m			
Name/standard						
GAH ALBERTS					Version	



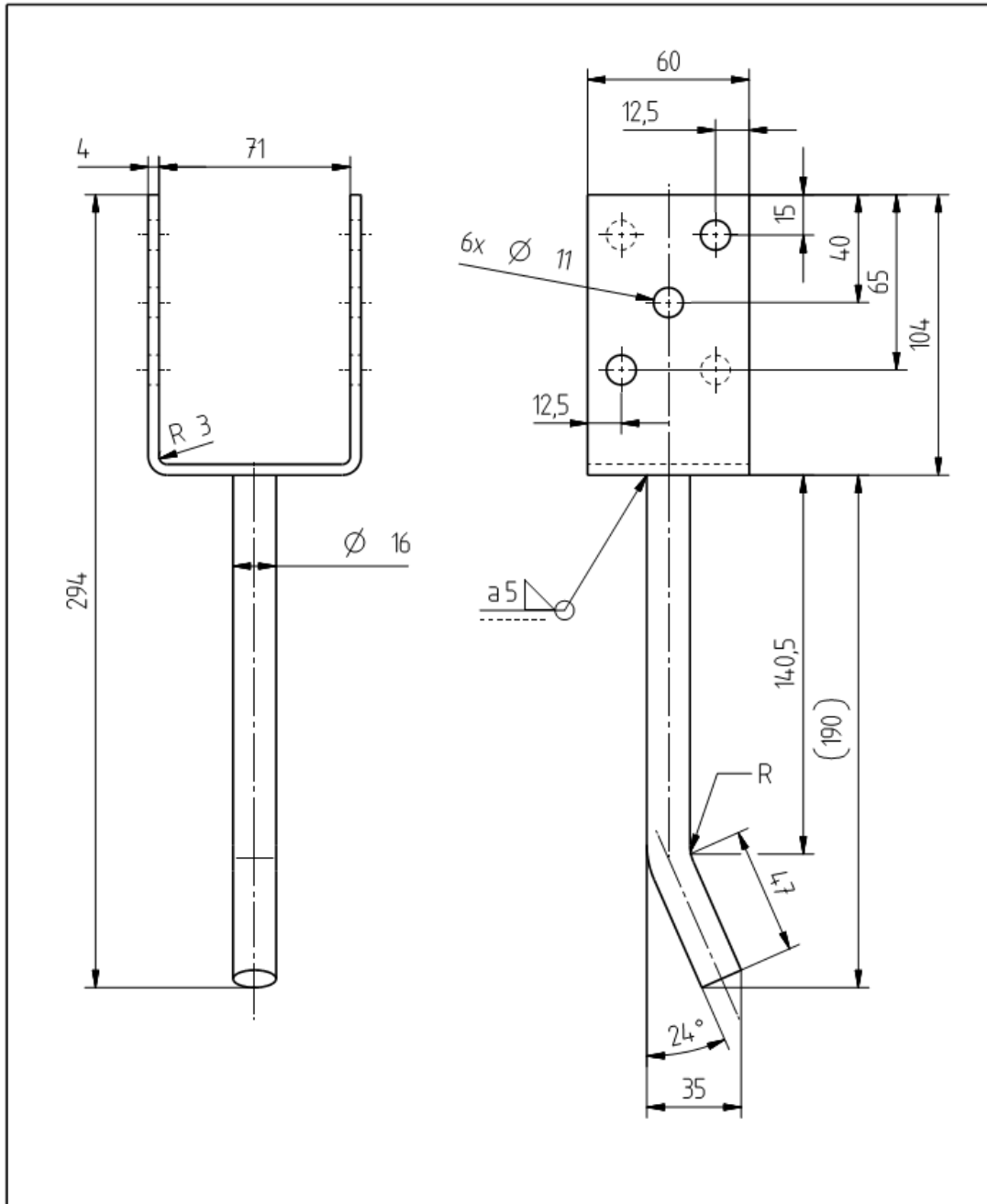
Gewicht: 0,912 kg

Pos. position	Stck. pc.	Benennung / description		Abmessung dimensions	Zeichnungsnr. drawing number	Bemerkung notes / remarks
Änderungen nur durch Abteilung K modification only from department K				Massstab scale	Material / material S235JR (St37-2)	
Ⓟ		war a7 und jetzt a5	31.10.2014	Bogdan	Typ Nr. typ-number 367	Bemerkung / notes / remarks EAN-Nr. 21 41 04
ⓐ		war \varnothing 18mm	22.03.07	Ochmann	Benennung / description	
Zust condition	Änderung / modification		Datum/date	Name/name	U-Pfostenraeger, lichte Weite 121mm post support bracket, 121mm	
Bearb./drawer	Datum/date 21.12.2006	Name/name Sommer	Zul. Abw. acceptance tolerance		Zeichnungsnummer drawing number 0367 0121 2	
Gepr. examiner			DIN 7168-m			
Norm/standard						
GAH ALBERTS					Version	



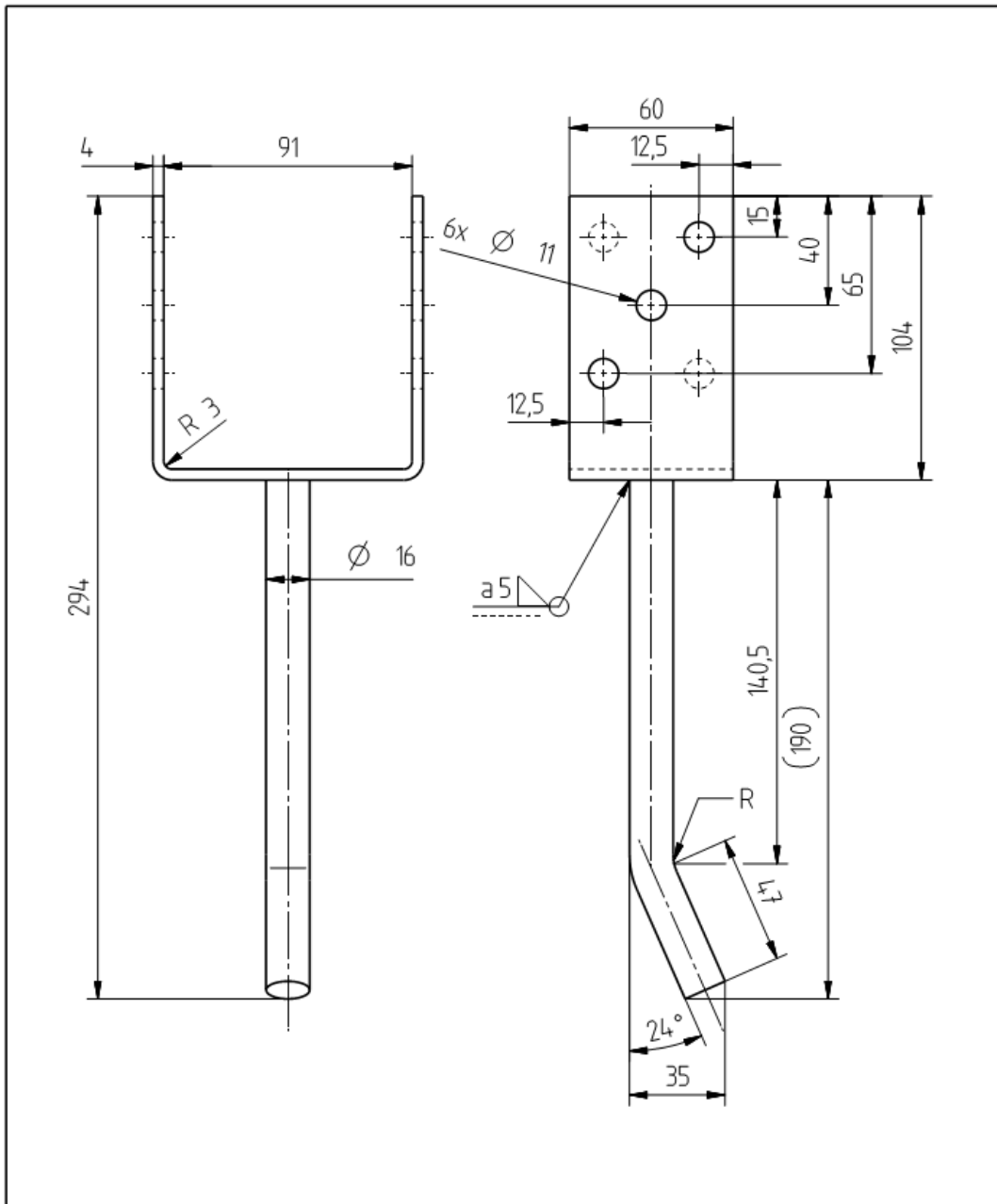
Gewicht: 0,95 kg

Pos. position	Stck. pc.	Benennung / description		Abmessung dimensions	Zeichnungsnr. drawing number	Bemerkung notes / remarks
Änderungen nur durch Abteilung K modification only from department K				Massstab scale	Material / material S235JR (St37-2)	
Ⓟ	war a7 ist jetzt a5	31.10.2014	Bogdan	Typ Nr. typ-number 367	Bemerkung / notes / remarks EAN-Nr. 21 41 11	
ⓐ	war Ø 18mm	22.03.07	Ochmann	Benennung / description		
Zust. condition	Änderung / modification	Datum/date	Name/name	U-Pfostentraeger, lichte Weite 141mm post support bracket, 141mm		
Bearb./drawer	Datum/date 21.12.2006	Name/name Sommer	Zul. Abw. acceptance tolerance	Zeichnungsnummer drawing number 0367 0141 2		
Gepr. examiner			DIN 7168-m	Version		
Norm/standard				GAH ALBERTS		

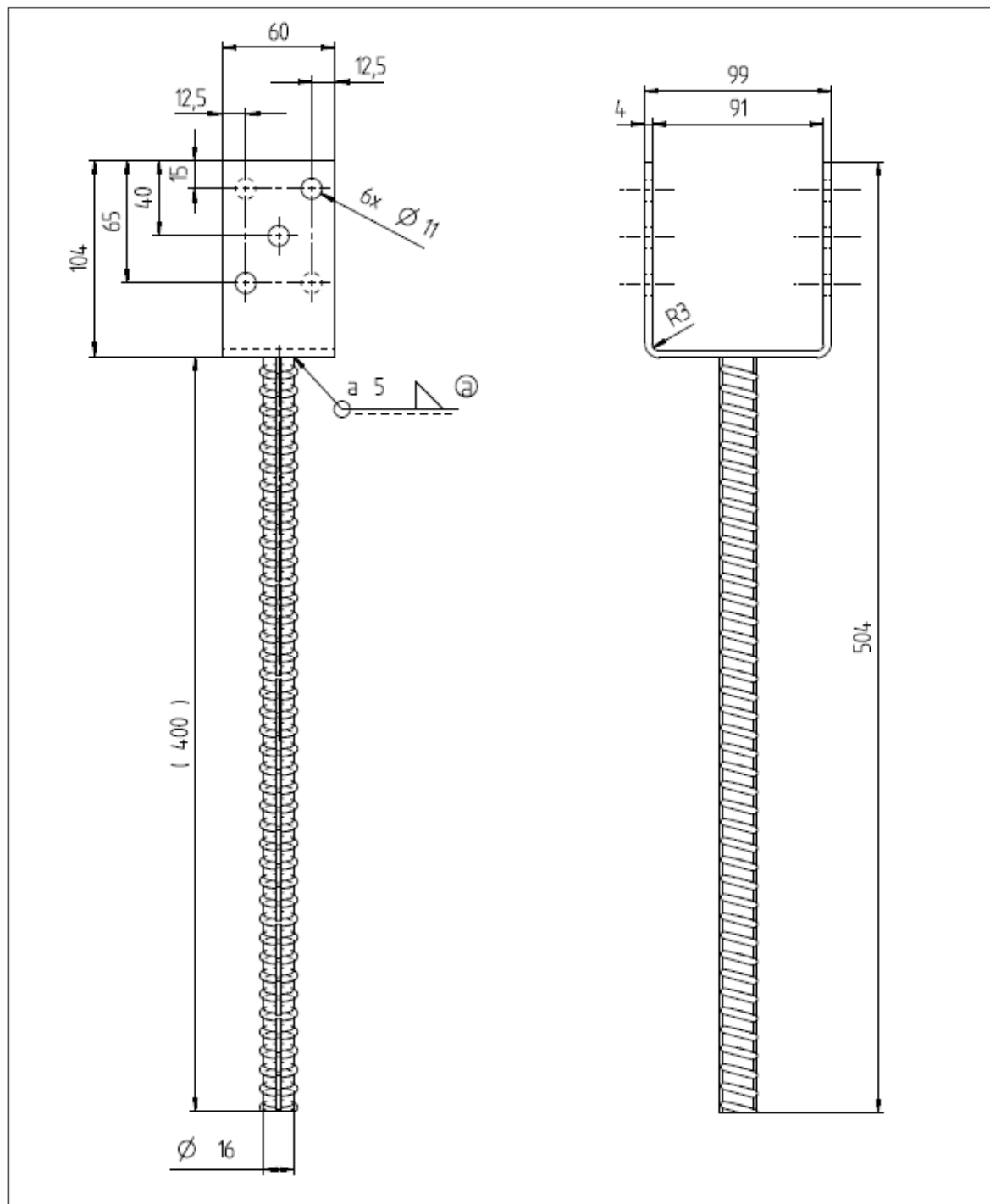


Pos. position	Stck. pc.	Benennung / description		Abmessung dimensions	Zeichnungsnr. drawing number	Bemerkung notes / remarks
		Änderungen nur durch Abteilung K modification only from department K		Massstab scale		Material / material X5CrNi18-10 AISI 304
				Typ-Nr. typ-number 367		Bemerkung / notes / remarks EAN-Nr. 214203
Zust. condition	Änderung / modification		Datum/date	Name/name		
Bearb./drawer	Datum/date 15.12.06	Name/name Diecks	Zul. Abw. acceptance tolerance DIN 7168-m			
Gepr. examiner						
Norm/standard						
GAH ALBERTS				Zeichnungsnummer drawing number 0367 0071 2VA		Version

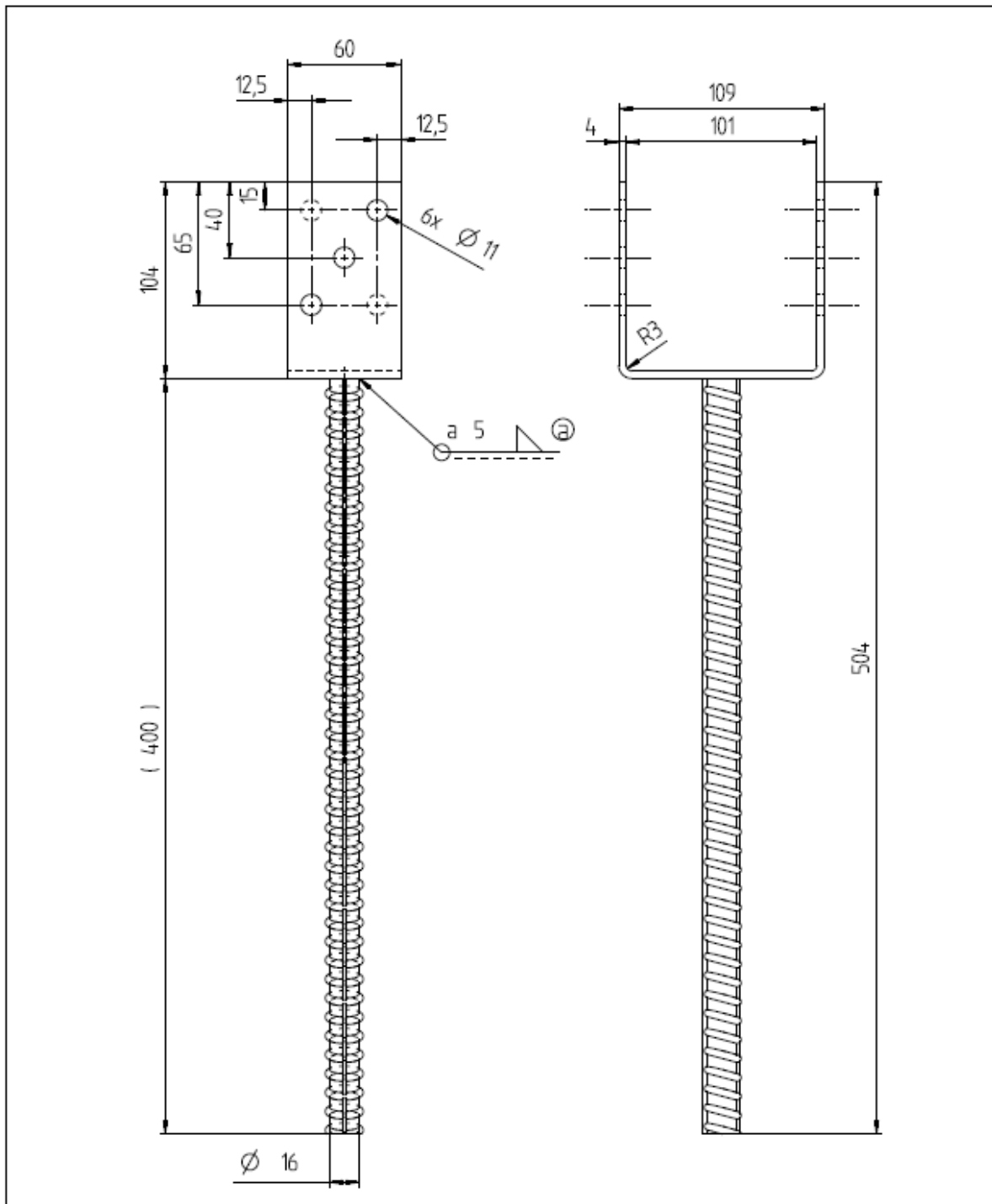
U-Pfostentraeger, lichte Weite 71mm
post support bracket, 71mm



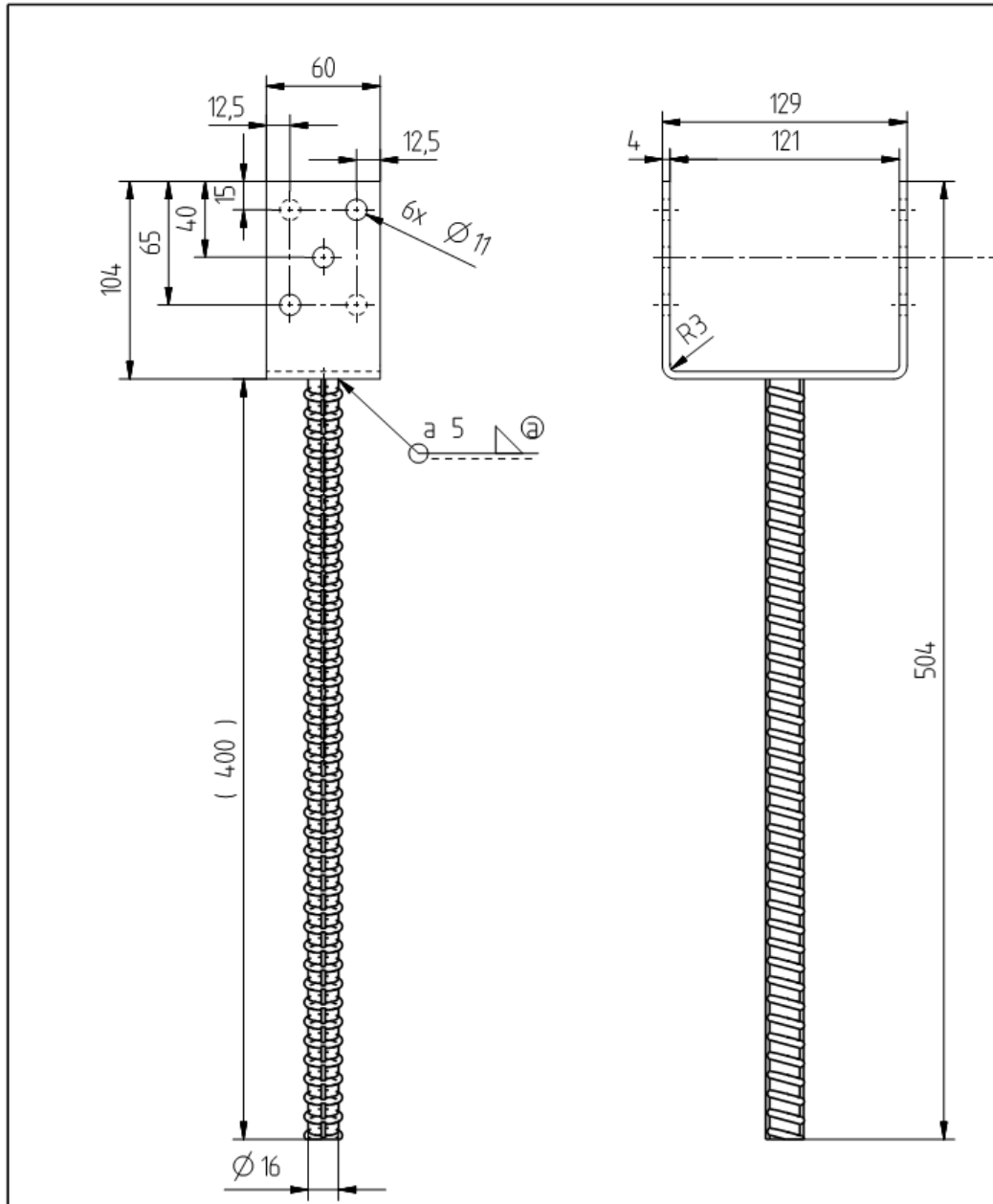
Pos. position	Stck. pc.	Benennung / description		Abmessung dimensions	Zeichnungsnr. drawing number	Bemerkung notes / remarks
Änderungen nur durch Abteilung K modification only from department K				Massstab scale	Material / material	1.4301
				Typ Nr. typ-number	367	Bemerkung / notes / remarks EAN-Nr. 214210
Zust. condition	Änderung / modification		Datum/date	Benennung / description		
	Datum/date	Name/name	Zul. Abw. acceptance tolerance			
Bearb./drawer	15.12.06	Dlecks	DIN 7168-m			
Gepr./examiner			U-Pfostentraeger, lichte Weite 91mm post support bracket, 91mm			
Norm/standard			Zeichnungsnummer drawing number			Version
GAH ALBERTS			0367 0091 2VA			



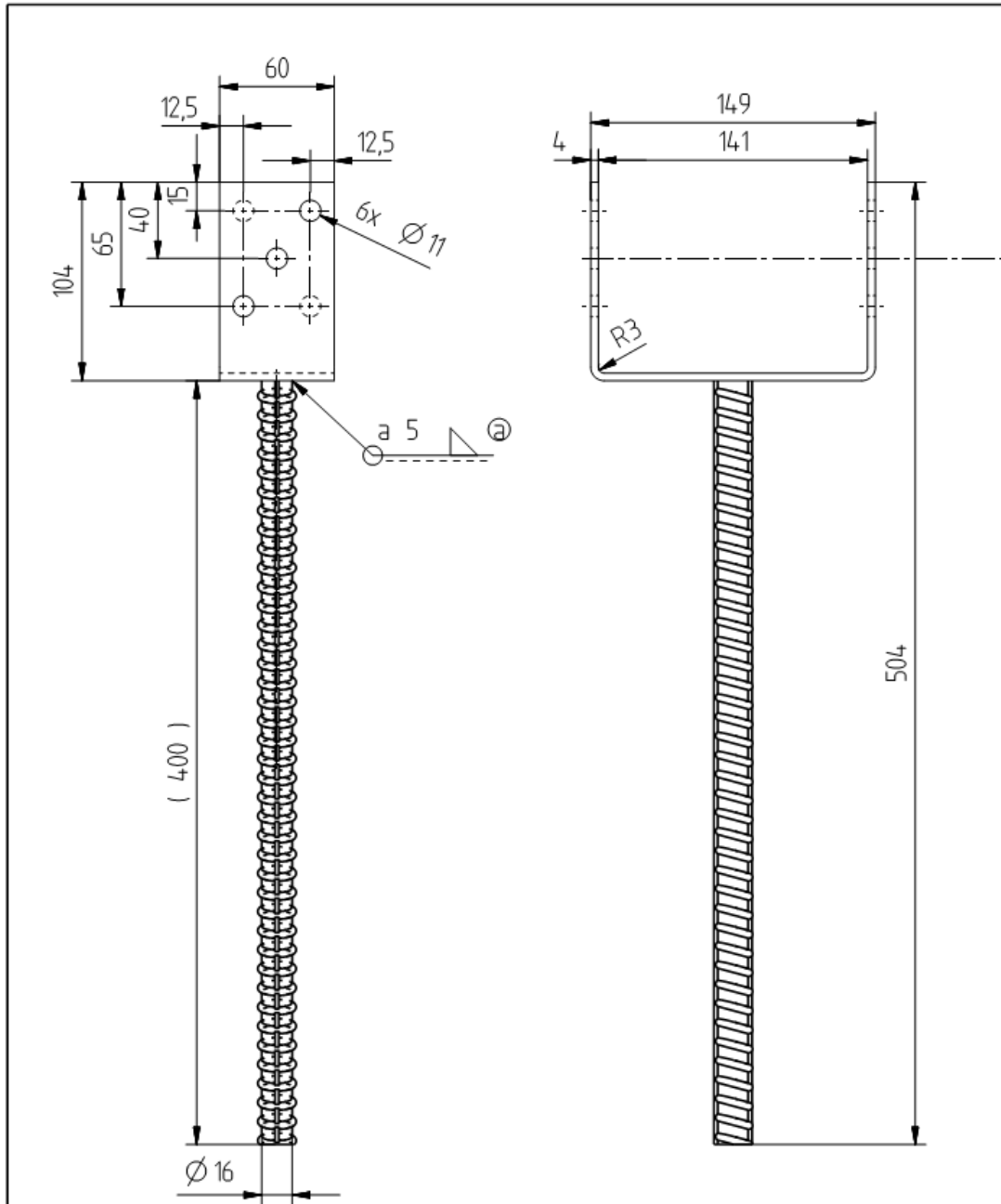
Pos. position	Sfck. pc.	Benennung / description	Abmessung dimensions	Zeichnungsnr. drawing number	Bemerkung notes / remarks
Änderungen nur durch Abteilung K modification only from department K			Massstab scale	Material / material S235JR / 1.0037	
			Typ Nr. typ-number	Bemerkung / notes / remarks 214401	
② Schweißnaht war a7 und jetzt a5 Anderung / modification			Datum/date	Benennung / description	
			23.09.2014	369	
			Bogdan	Pfostenträger, U-Form, 91mm Post support, U-Shape, 91mm	
Zust. condition			Datum/date	Name/name	
			28.7.09	Hunka	
Bearb./drawer			Zul. Abw. acceptance tolerance		
Gepr. examiner			ISO 2768		
Norm/standard			mittel		
GAH ALBERTS				Zeichnungsnummer drawing number	Version
				0369 0091 2	CE



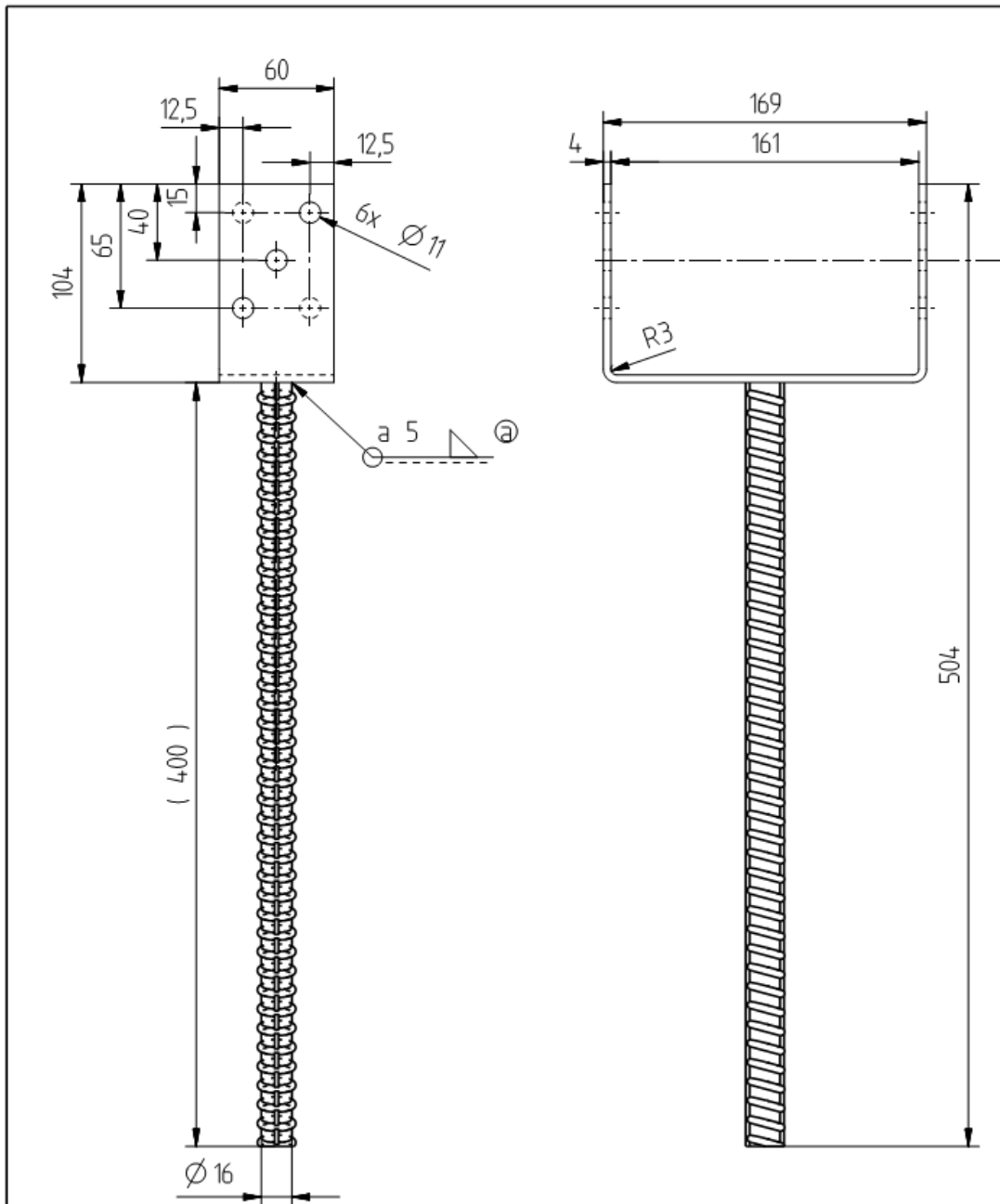
Pos. position	Stck. pc.	Benennung / description		Abmessung dimensions	Zeichnungsnr. drawing number	Bemerkung notes / remarks
		Änderungen nur durch Abteilung K modification only from department K		Massstab scale	Material / material	S235JR / 1.0037
				Typ Nr. typ-number	369	Bemerkung / notes / remarks 214418
Ⓐ		Schweissnaht war a7 und jetzt a5	23.09.2014	Bogdan	Benennung / description	
Zust. condition		Änderung / modification		Datum/date	Name/name	
Bearb./drawer	28.7.09	Name/name		Zul. Abw. acceptance tolerance ISO 2768 mittel		
Gepr./inspector		Hunka				
Norm/standard						
GAH ALBERTS				Zeichnungsnummer drawing number	0369 0101 2	Version CE



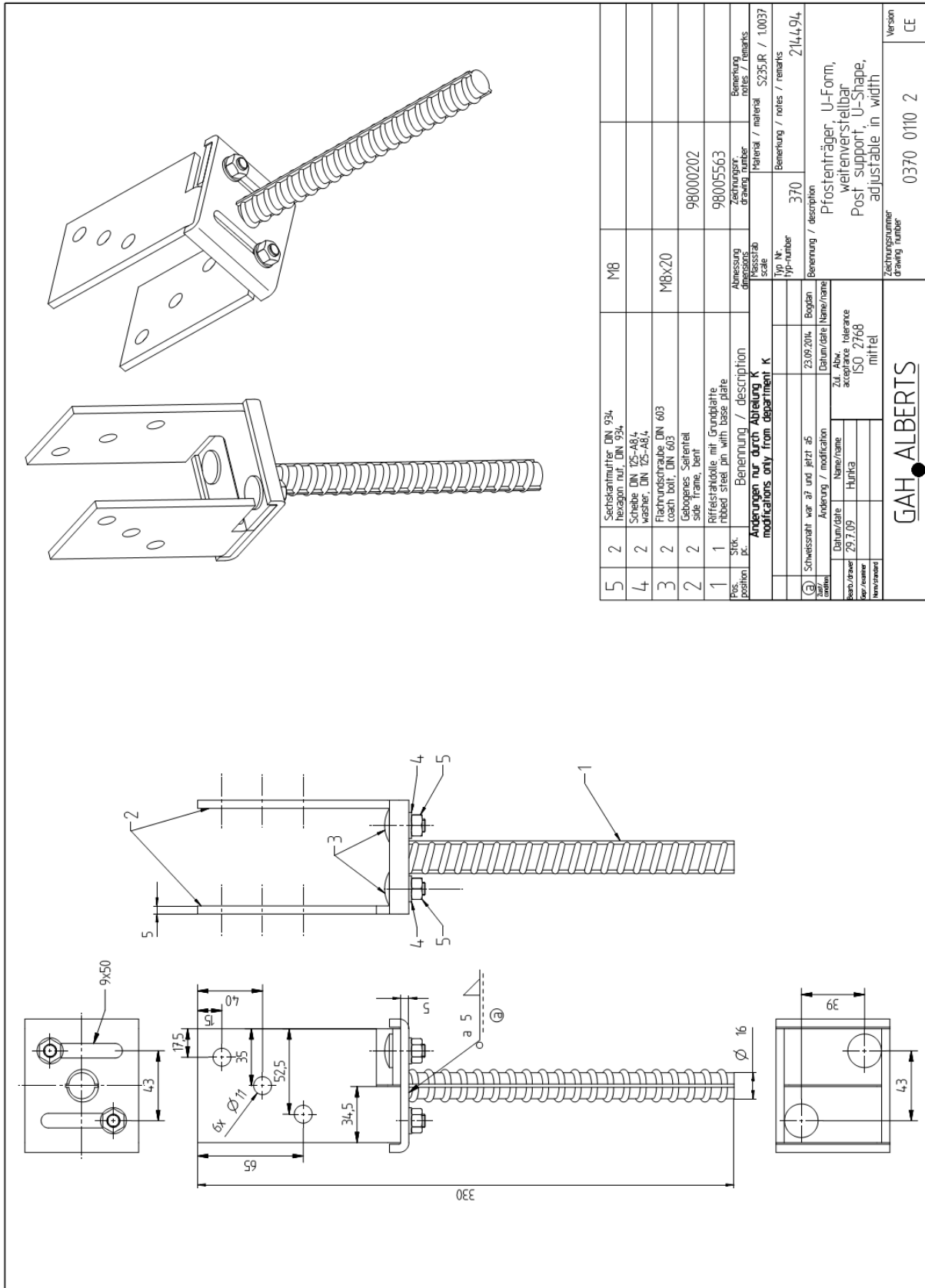
Pos. position	Stk. pc.	Benennung / description		Abmessung dimensions	Zeichnungsnr. drawing number	Bemerkung notes / remarks
Anderungen nur durch Abteilung K modification only from department K				Massstab scale	Material / material S235JR/1.0037	
				Typ Nr. typ-number 369	Bemerkung / notes / remarks EAN Nr. 212711	
Ⓐ war a7 ist jetzt a5				Datum/date 31.10.2014	Name/name Bogdan	
Zust. condition	Änderung / modification		Datum/date	Name/name		
Bearb./drawer 23.11.11	Name/name Fuhrmann		Zul. Abw. acceptance tolerance DIN 2768 mittel		Benennung / description Pfostentraeger, U-Form, lichte Weite 121mm Post support, U-shape, 121mm	
GAH ALBERTS				Zeichnungsnummer drawing number 0369 0121 2	Version	



Pos. position	Stck. pc.	Benennung / description		Abmessung dimensions	Zeichnungsnr. drawing number	Bemerkung notes / remarks
Anderungen nur durch Abteilung K modification only from department K				Massstab scale	Material / material S235JR/1.0037	
				Typ. Nr. typ-number	Bemerkung / notes / remarks EAN Nr. 212728	
Ⓐ war a7 ist jetzt a5 Änderung / modification Datum/date 31.10.2014 Name/name Bogdan				Benennung / description		
Bearb./drawer	Datum/date	Name/name	Zul. Abw. acceptance tolerance			
Gepr. examiner	23.11.11	Fuhrmann	DIN 2768 mittel			
Norm/standard						
GAH ALBERTS				Zeichnungsnummer drawing number	0369 0141 2	Version



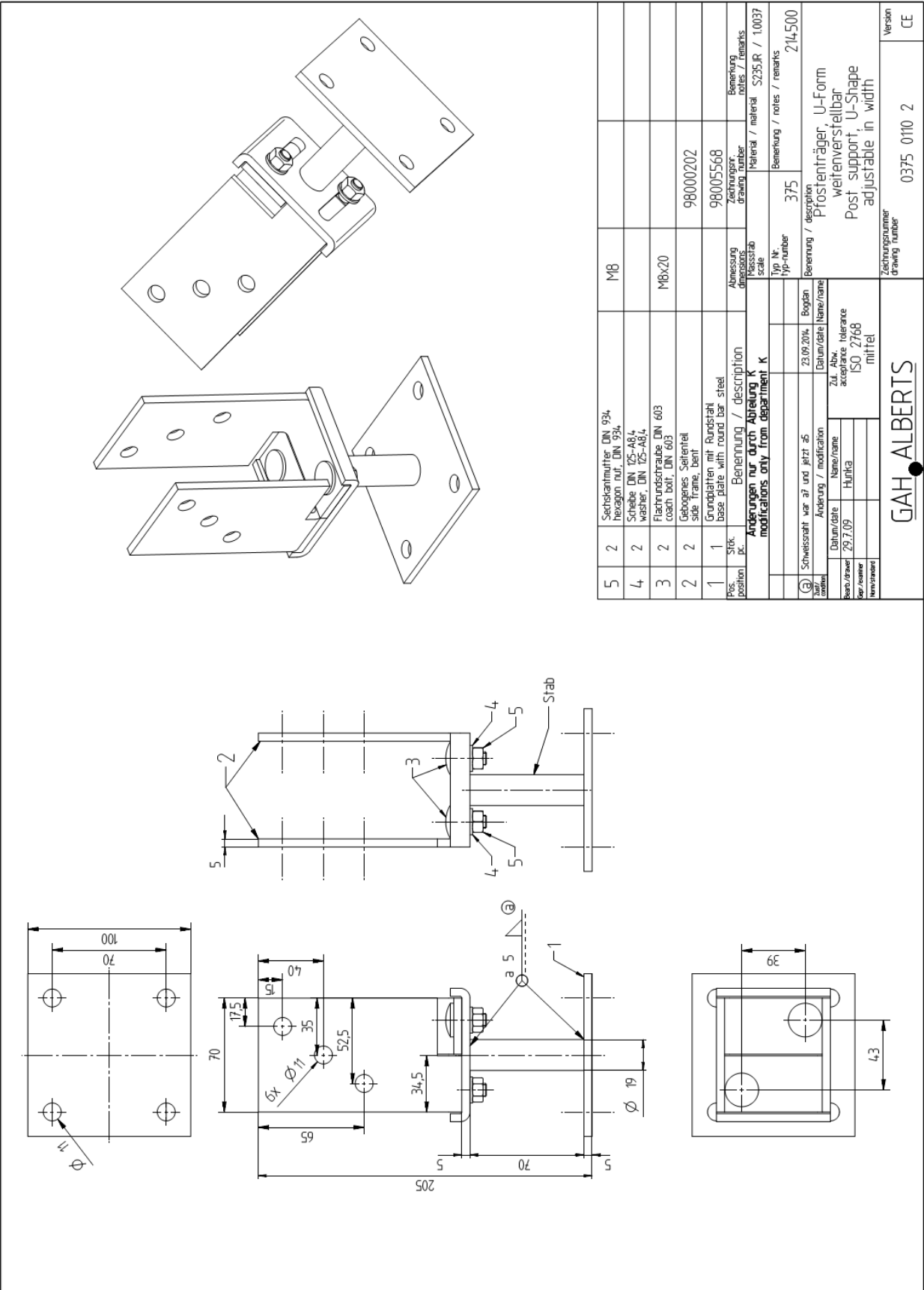
Pos. position	Stck. pc.	Benennung / description		Abmessung dimensions	Zeichnungsnr. drawing number	Bemerkung notes / remarks
Änderungen nur durch Abteilung K modification only from department K				Massstab scale	Material / material S235JR/1.0037	
				Typ Nr. typ-number 369	Bemerkung / notes / remarks EAN Nr. 212896	
ⓐ		war a7 ist jetzt a5		31.10.2014	Bogdan	
Zust. condition	Änderung / modification			Datum/date	Name/name	
Bearb./drawer	Datum/date	Name/name		Zul. Abw. acceptance tolerance		
Gep. examiner	23.11.11	Fuhrmann		DIN 2768 mittel		
Norm/standard				Benennung / description Pfosten, U-Form, lichte Weite 161mm Post support, U-shape, 161mm		
GAH ALBERTS				Zeichnungsnummer drawing number	0369 0161 2	Version

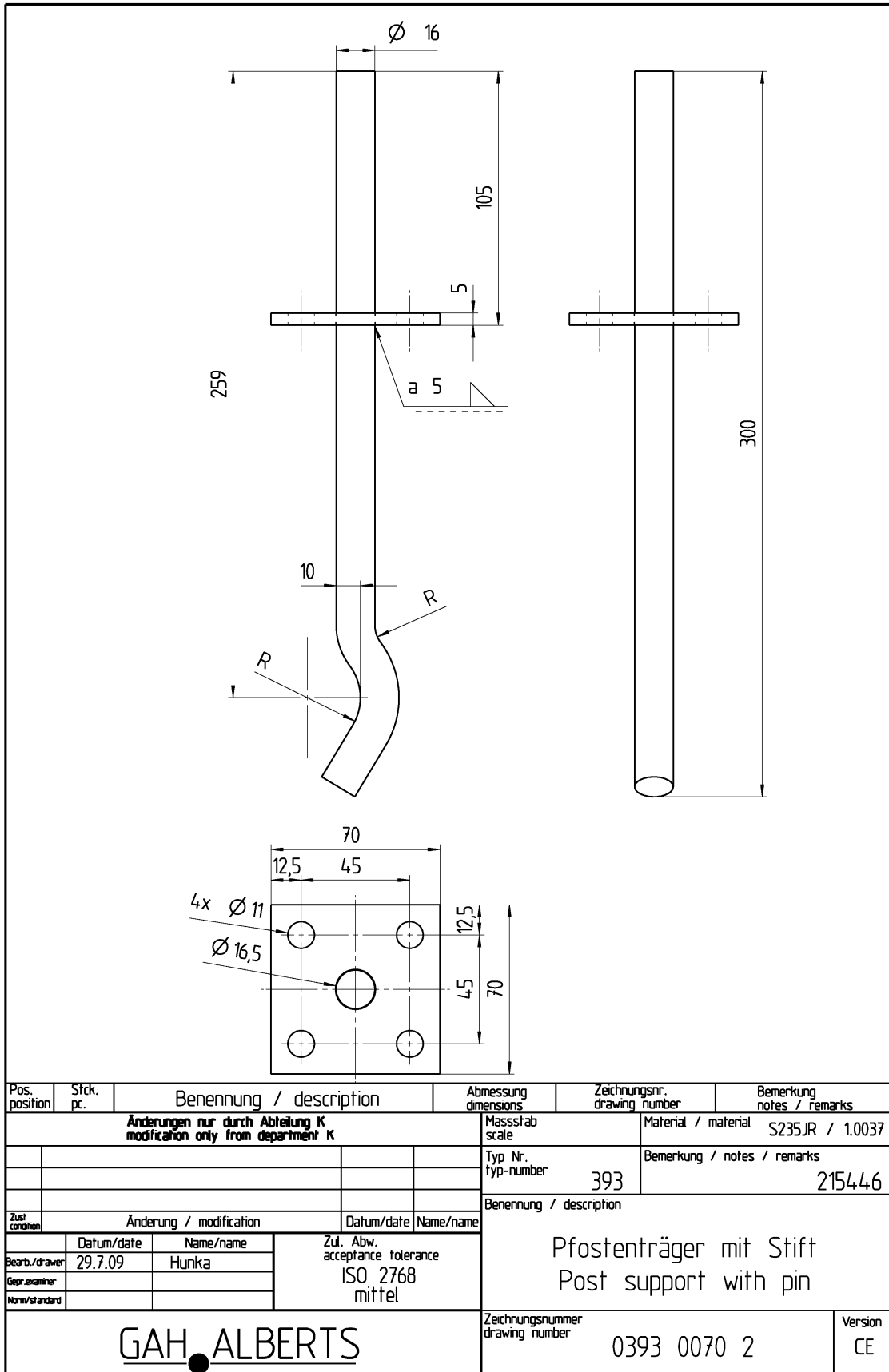


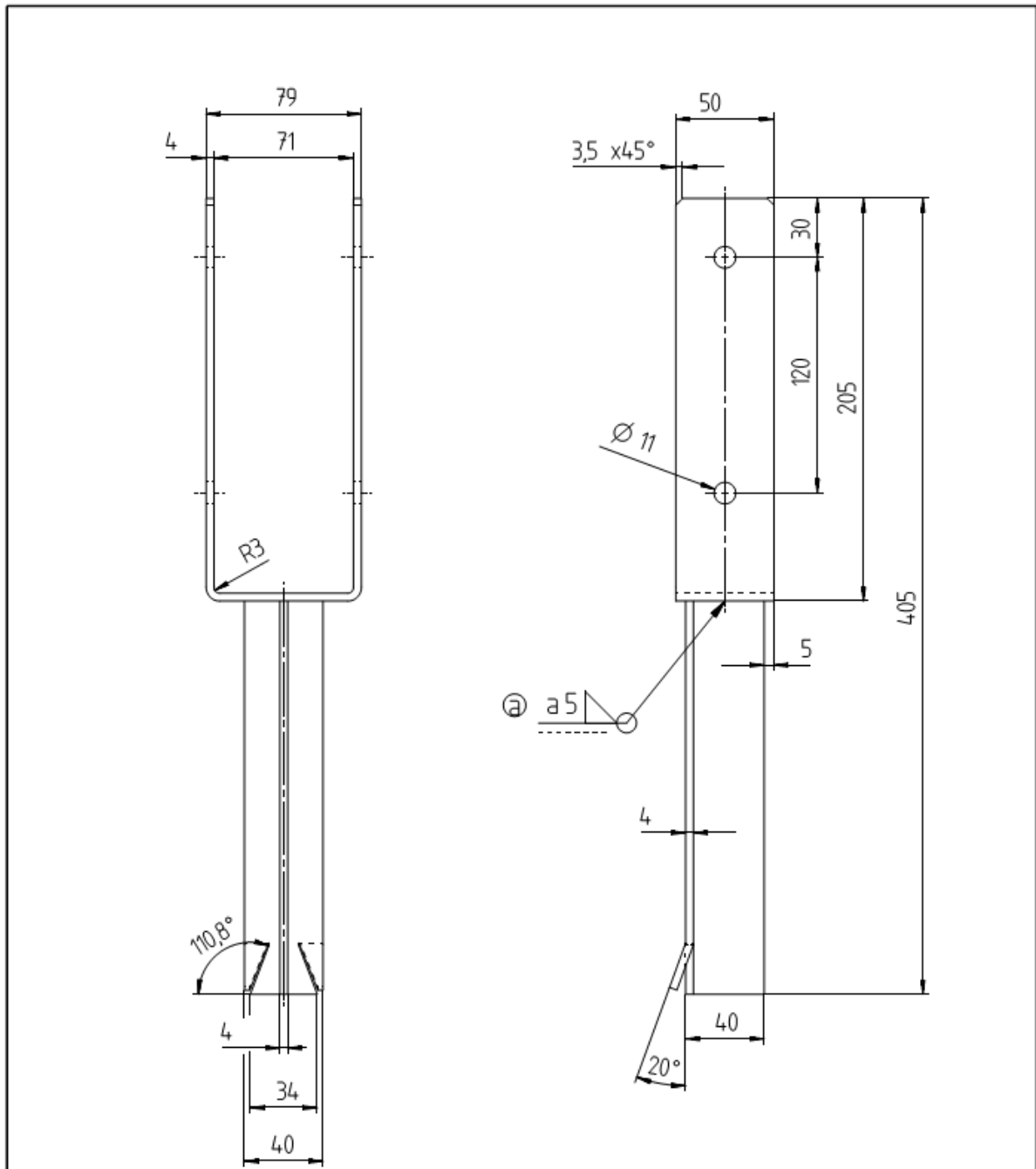
5	Sechskantmutter DIN 934 hexagon nut, DIN 934	M8			
4	Scheibe DIN 125-A8,4 washer, DIN 125-A8,4				
3	Flachmutter DIN 603 flat washers, DIN 603	M8x20			
2	Gebogenes Seitenteil side frame, bent		98000202		
1	Riffelstahlnagel mit Grundplatte ribbed steel pin with base plate		98005563		

Position	pc.	Benennung / description	Abmessung dimensions	Zeichnungsnummer drawing number	Material / material	Bemerkung notes / remarks
		Anderungen nur durch Abteilung K modifications only from department K				
			Maßstab scale			Skizze No. / sketch no.
			Typ Nr. / type number	370		214494
			Bezeichnung / description			Pfostenträger, U-Form, weitenverstellbar Post support, U-Shape, adjustable in width
			Zeichnungsnummer drawing number		0370 0110 2	Version CE

GAH ALBERTS

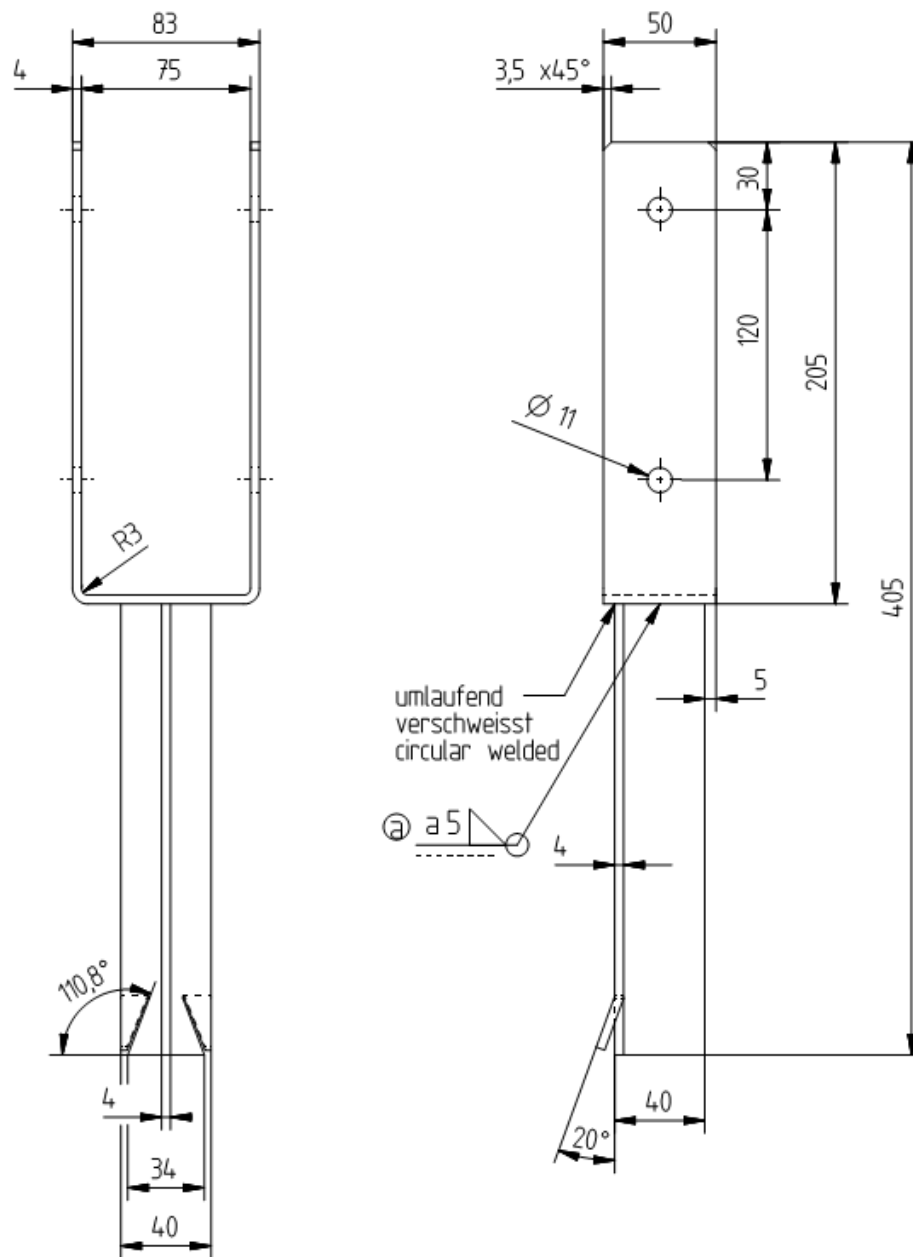




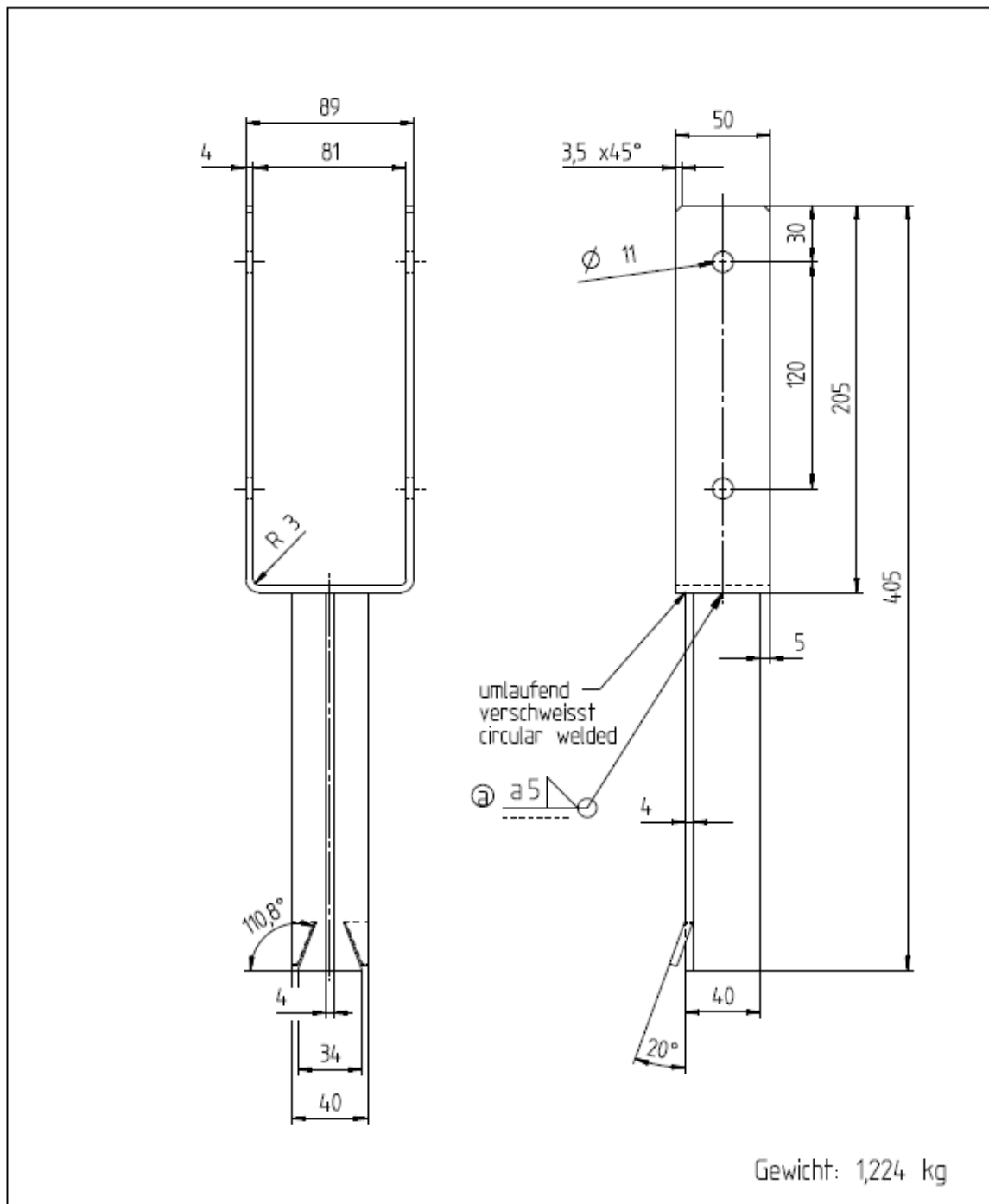


Gewicht: 1,209 kg

Pos. position	Sfck. pc.	Benennung / description		Abmessung dimensions	Zeichnungsnr. drawing number	Bemerkung notes / remarks
Anderungen nur durch Abteilung K modification only from department K				Massstab scale	Material / material S235JR / 1.0037	
				Typ Nr. typ-number	Bemerkung / notes / remarks	
				394	216740	
Ⓐ	Schweissnaht war a7 und jetzt a5		23.09.2014	Bogdan	Benennung / description	
Zust. condition	Anderung / modification		Datum/date	Name/name	U-Pfostenlasche, 71mm Post support, U-Shape, 71mm	
Bearb./drawer	Datum/date	Name/name	Zul. Abw. acceptance tolerance			
Gepr. examiner	28.7.09	Hunka	ISO 2768			
Norm/standard			mittel			
GAH ALBERTS					Zeichnungsnummer drawing number	Version
					0394 0071 2	CE



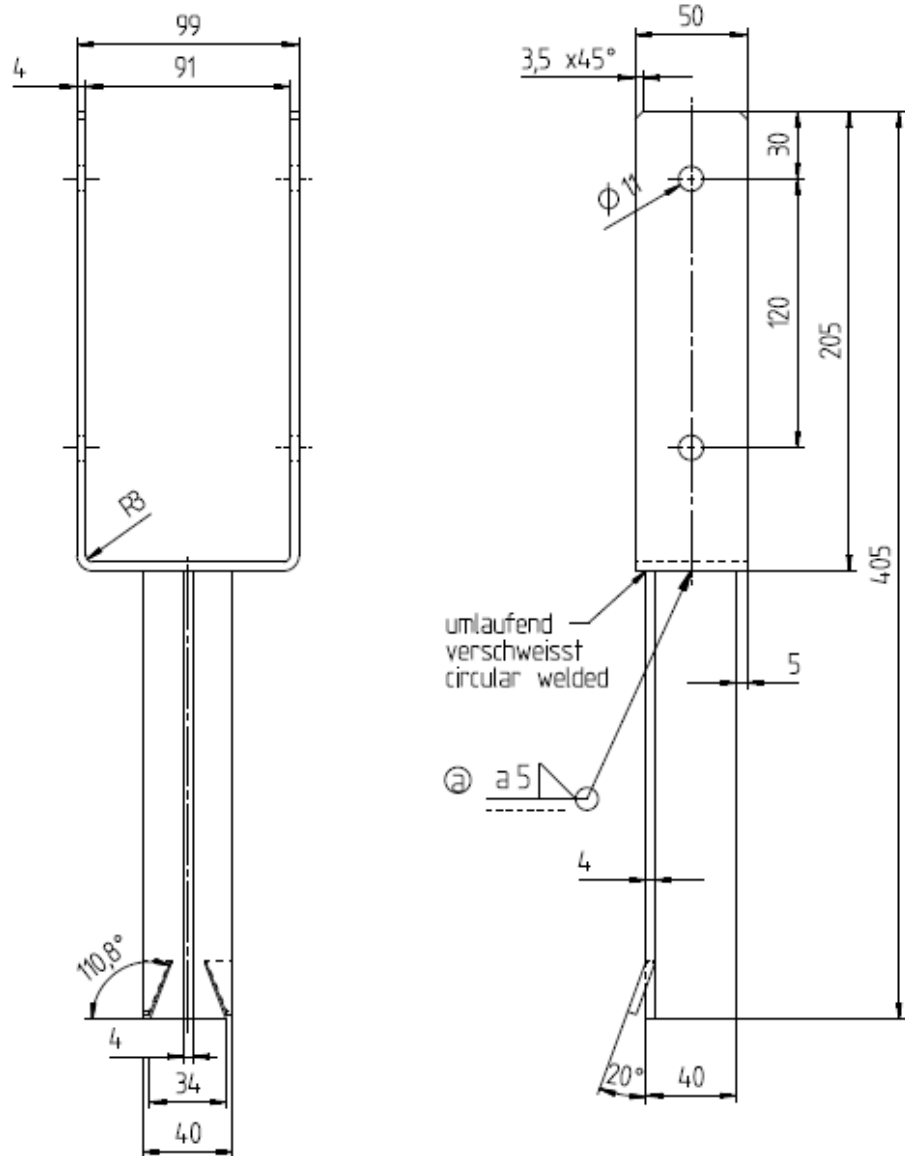
Pos. position	Stck. pc.	Benennung / description		Abmessung dimensions	Zeichnungsnr. drawing number	Bemerkung notes / remarks
Anderungen nur durch Abteilung K modification only from department K				Massstab scale	Material / material	S235JR / 1.0037
				Typ Nr. typ-number	Bemerkung / notes / remarks	
					394	216757
Ⓐ Zust. condition	Schweissnaht war a7 und jetzt a5 Änderung / modification		23.09.2014 Datum/date	Bogdan Name/name	Benennung / description	
Bearb./drawer	Datum/date	Name/name	Zul. Abw. acceptance tolerance ISO 2768 mittel		U-Pfostenlasche, 75mm Post support, U-Shape, 75mm	
Gepr. examiner	28.7.09	Hunka				
Norm/standard						
GAH ALBERTS				Zeichnungsnummer drawing number	0394 0075 2	Version
						CE



Gewicht: 1,224 kg

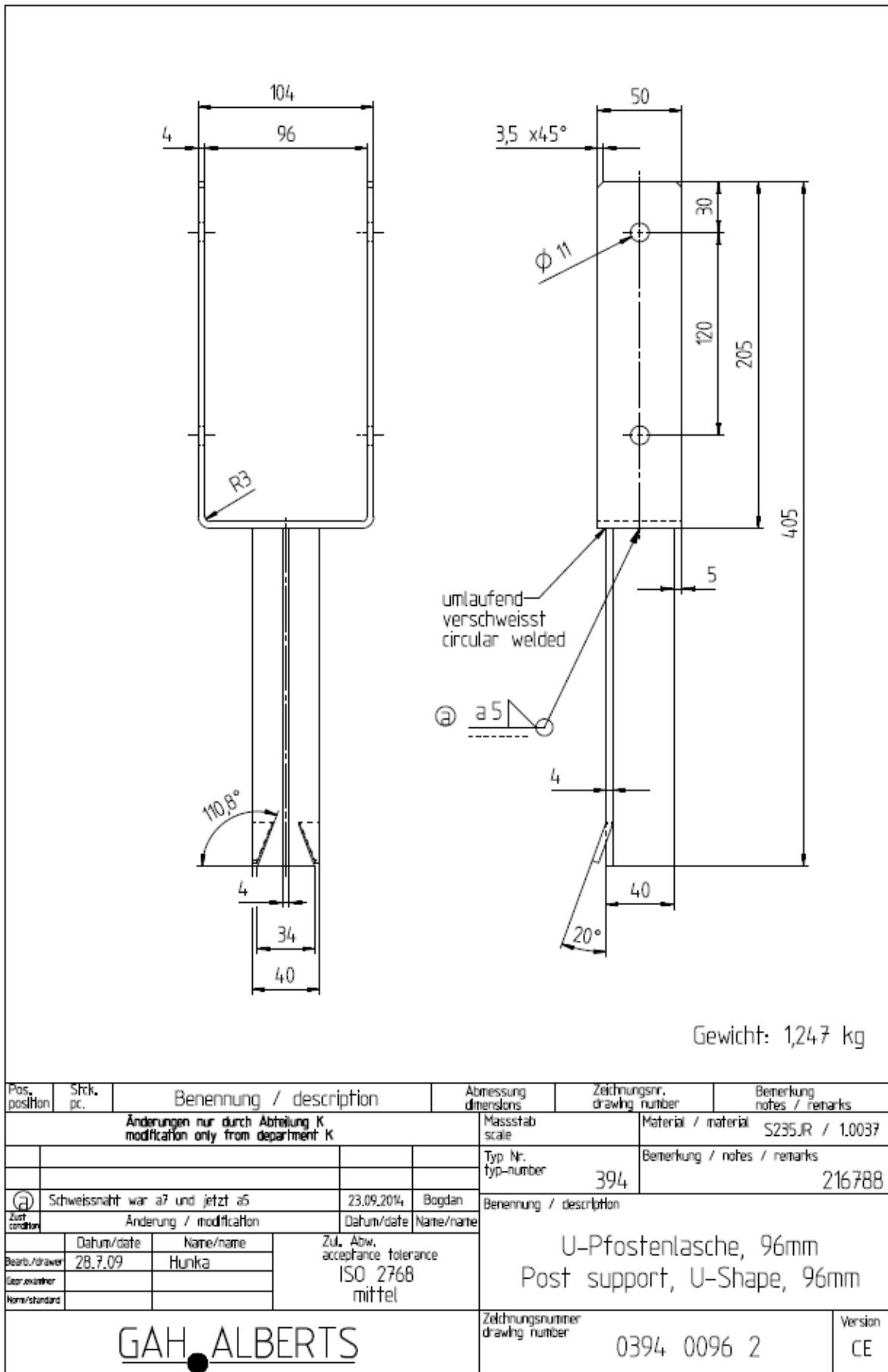
Pos. position	SFK. pc.	Benennung / description		Abmessung dimensions	Zeichnungsnr. drawing number	Bemerkung notes / remarks
Änderungen nur durch Abteilung K modification only from department K				Massstab scale	Material / material S235JR / 1.0037	
				Typ Nr. typ-number	Bemerkung / notes / remarks	
					394	216764
Ⓐ	Schweißnaht war a7 und jetzt a5		23.09.2014	Bogdan		
Zust. condition	Änderung / modification		Datum/date	Name/name		
	Datum/date	Name/name	Zul. Abw. acceptance tolerance ISO 2768 mittel			
Bearb./drawer	28.7.09	Hunka				
Gepr. examiner						
Norm/standard						
GAH ALBERTS				Zeichnungsnummer drawing number		Version
				0394 0081 2		CE

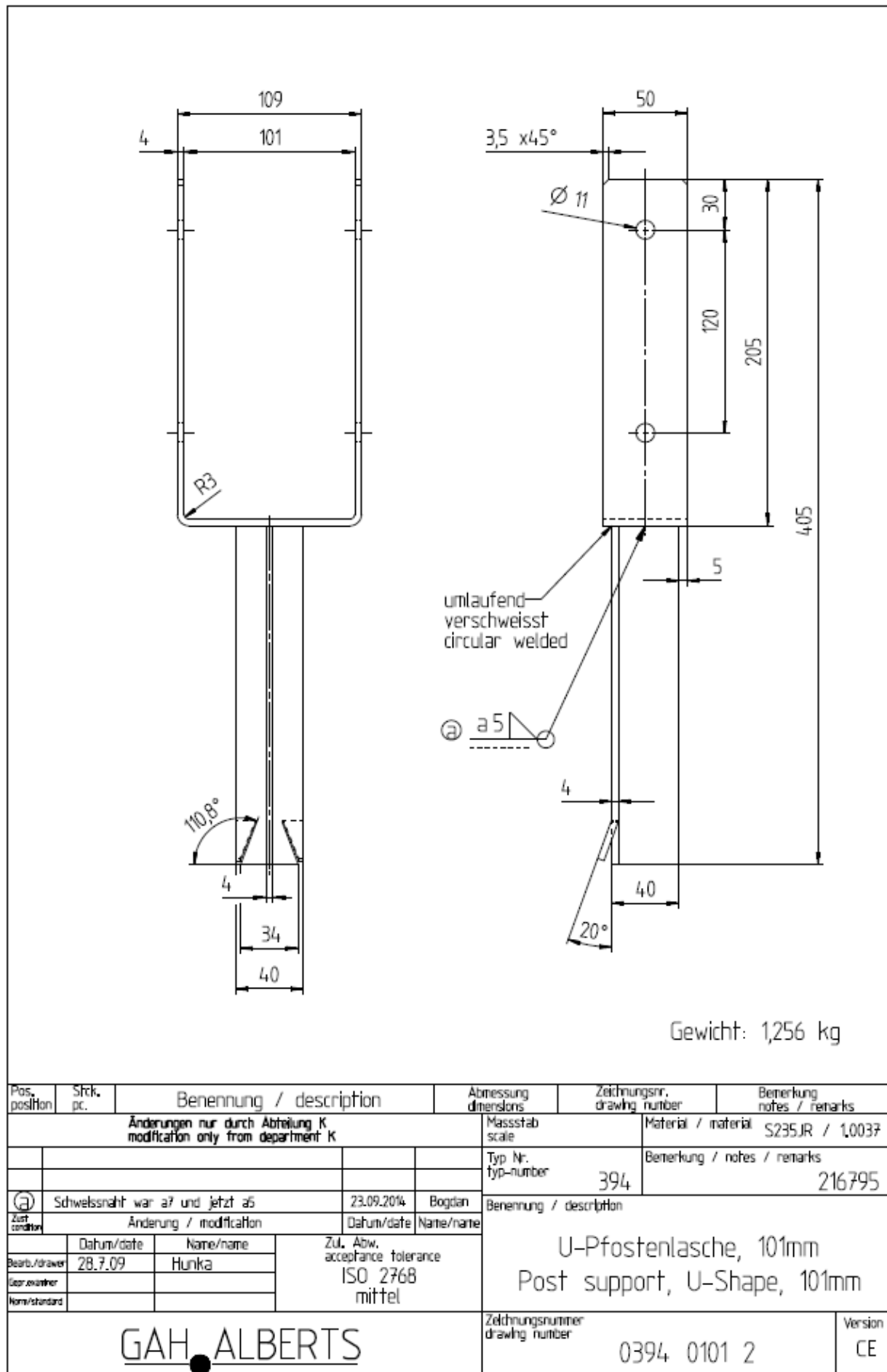
U-Pfostenlasche, 81mm
Post support, U-Shape, 81mm



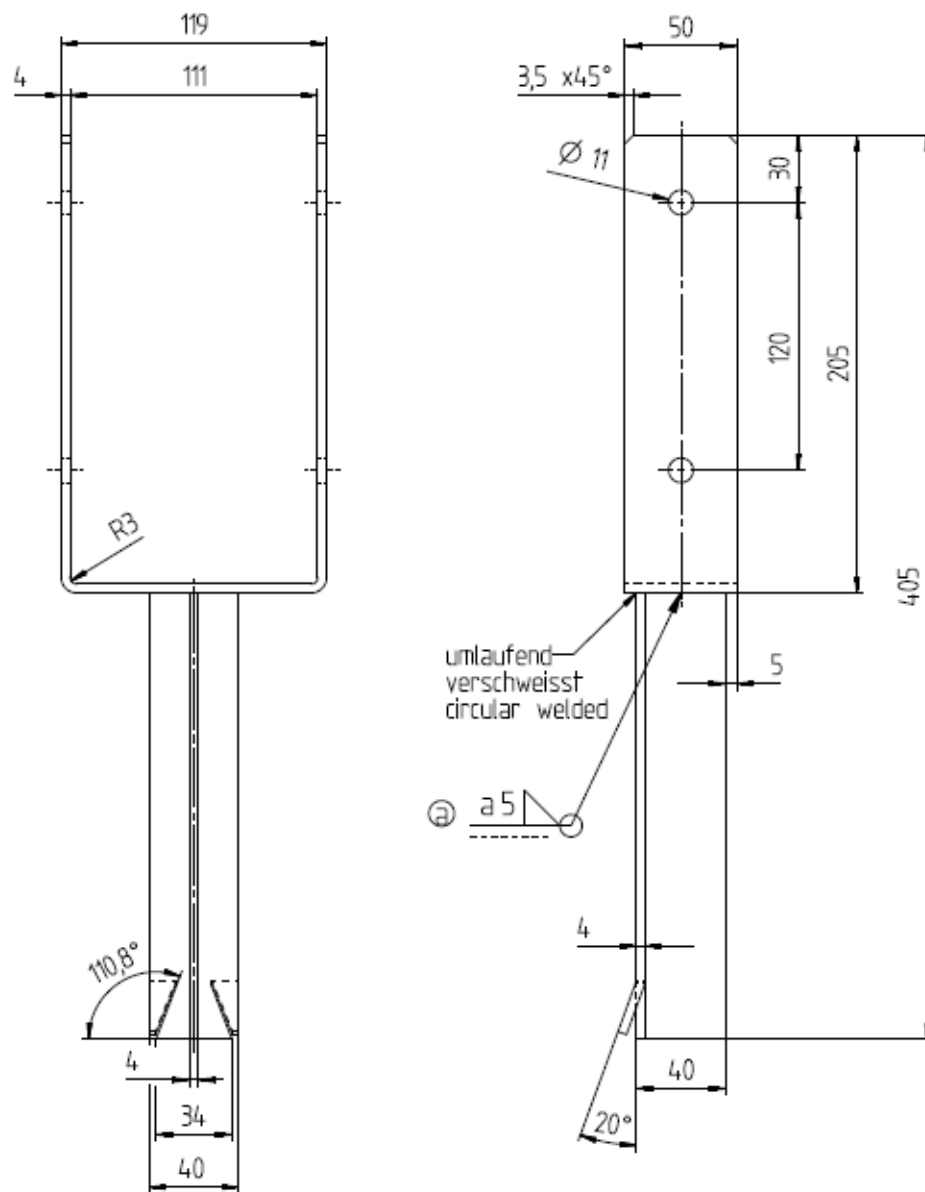
Gewicht: 1,24 kg

Pos. position	Stck. pc.	Benennung / description	Abmessung dimensions	Zeichnungsnr. drawing number	Bemerkung notes / remarks
		Änderungen nur durch Abteilung K modification only from department K		Massstab scale	Material / material S235JR / 1.0037
				Typ Nr. typ-number 394	Bemerkung / notes / remarks 216771
Ⓐ		Schweißnaht war a7 und jetzt a5	23.09.2014	Bogdan	Benennung / description
Zust. condition	Änderung / modification		Datum/date	Name/name	U-Pfostenlasche, 91mm Post support, U-Shape, 91mm
Bearb./drawer	Datum/date	Name/name	Zul. Abw. acceptance tolerance		
Gepr. number			ISO 2768 mittel		
Norm/standard					
GAH ALBERTS			Zeichnungsnummer drawing number	0394 0091 2	Version CE





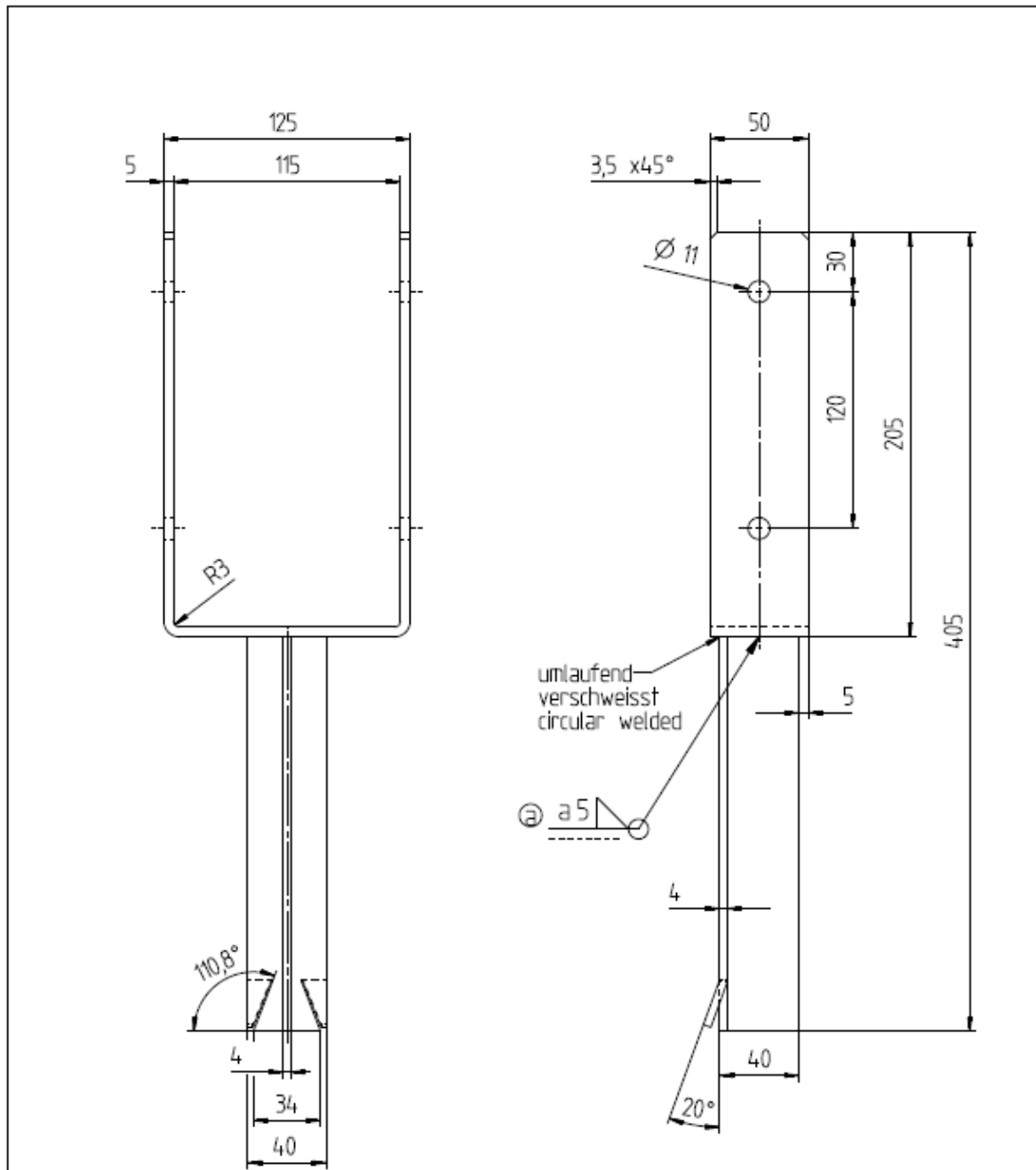
Pos. position	Stck. pc.	Benennung / description	Abmessung dimensions	Zeichnungsnr. drawing number	Bemerkung notes / remarks
Änderungen nur durch Abteilung K modification only from department K			Massstab scale	Material / material S235JR / 1.0037	
			Typ Nr. typ-number	Bemerkung / notes / remarks	
			394	216795	
Ⓐ	Schweißnaht war a7 und jetzt a5 Anderung / modification		Datum/date	Name/name	
Zust. condition			23.09.2014	Bogdan	
Bearb./drawer	Datum/date	Name/name	Zul. Abw. acceptance tolerance ISO 2768 mittel		
Gepr. number	28.7.09	Hunka			
Norm/standard					
GAH ALBERTS				Zeichnungsnummer drawing number	Version
				0394 0101 2	CE



Gewicht: 1,271 kg

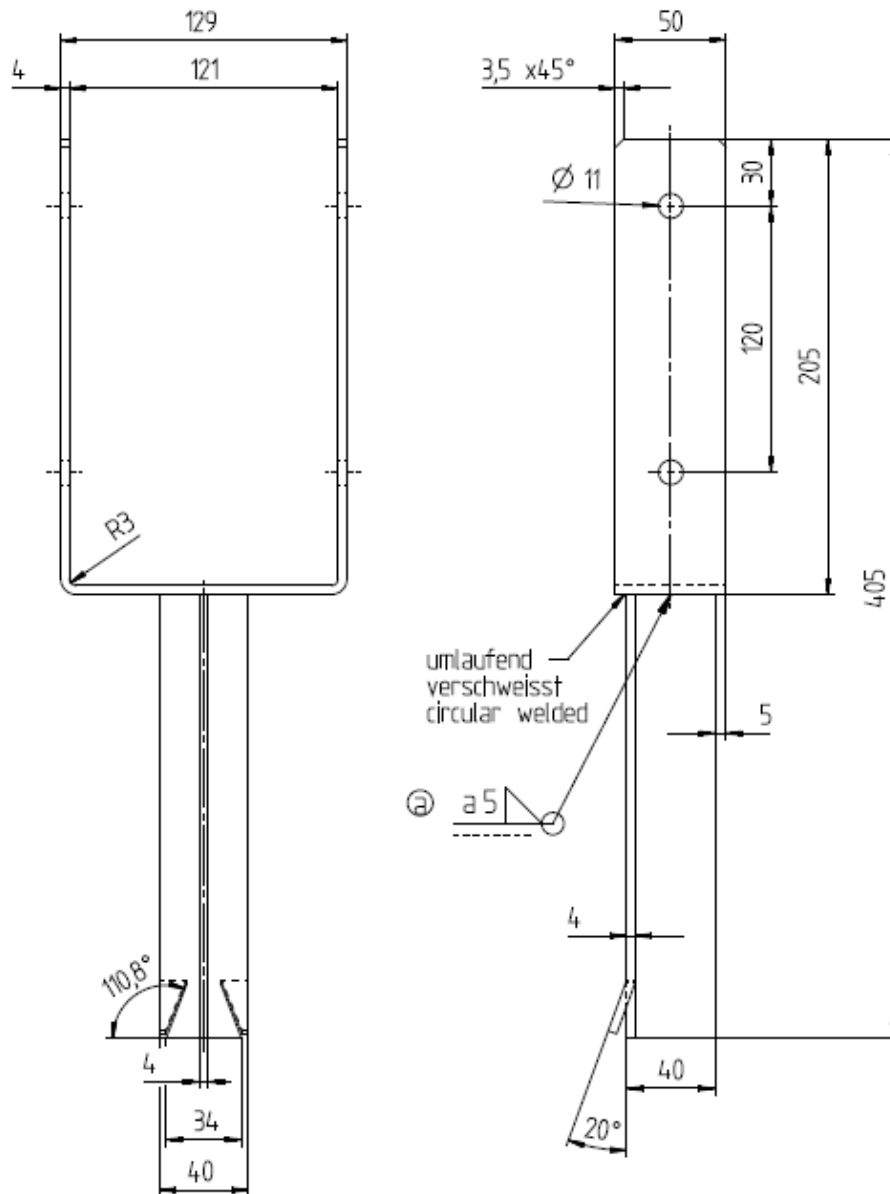
Pos. position	Sfck. pc.	Benennung / description	Abmessung dimensions	Zeichnungsnr. drawing number	Bemerkung notes / remarks
Änderungen nur durch Abteilung K modification only from department K			Massstab scale	Material / material S235JR / 1.0037	
			Typ Nr. typ-number	Bemerkung / notes / remarks	
			394	216818	
Ⓐ	Schweißnaht war a7 und jetzt a5		Datum/date 23.09.2014	Name/name Bogdan	
Zust. condition	Änderung / modification		Datum/date	Name/name	
Bearb./drawer	Datum/date 28.7.09	Name/name Hunka	Zul. Abw. acceptance tolerance ISO 2768 mittel		
Gepr. examiner					
Norm/standard					
GAH ALBERTS			Zeichnungsnummer drawing number	0394 0111 2	
			Version CE		

U-Pfostenlasche, 111mm
Post support, U-Shape, 111mm



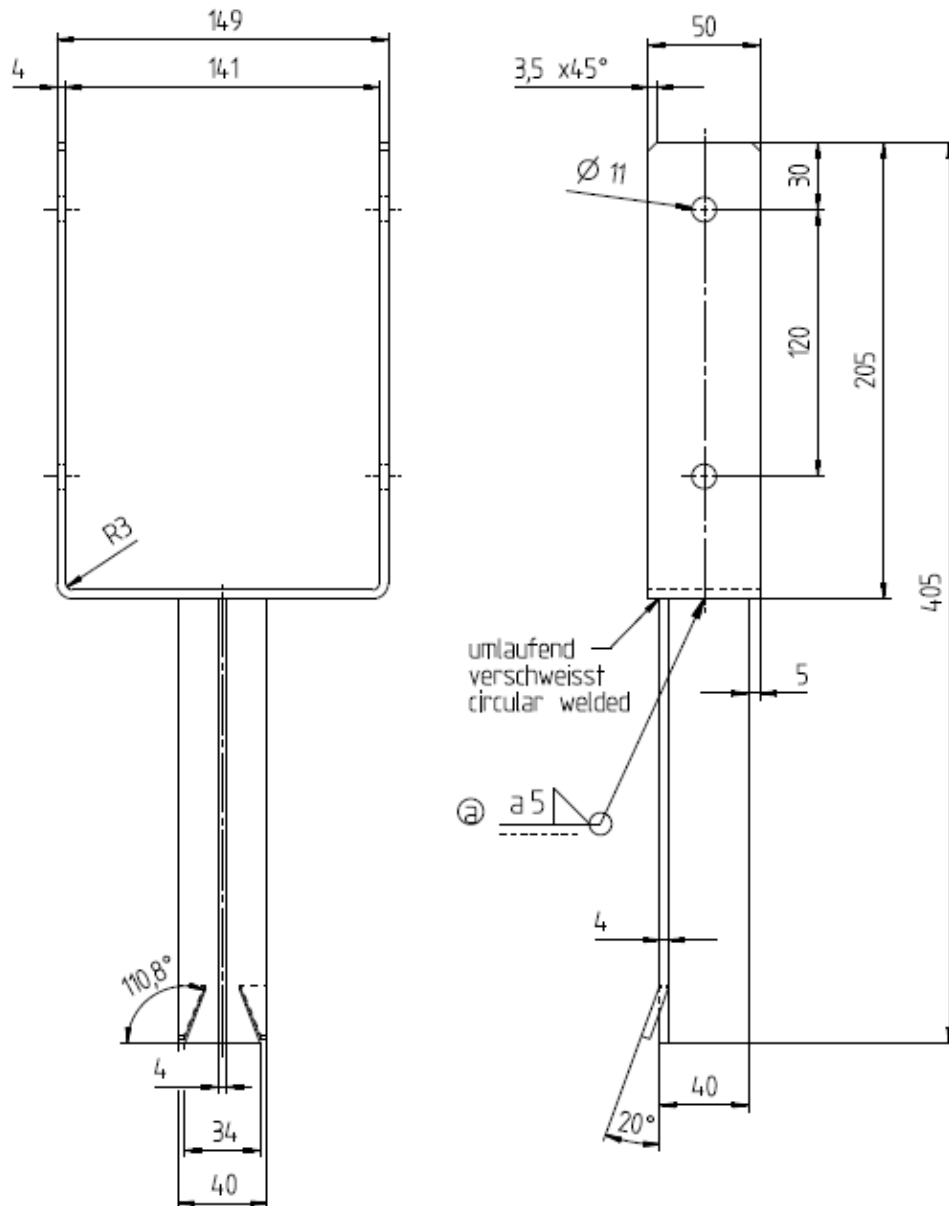
Gewicht: 1,477 kg

Pos. position	Stck. pc.	Benennung / description	Abmessung dimensions	Zeichnungsnr. drawing number	Bemerkung notes / remarks
Änderungen nur durch Abteilung K modification only from department K			Massstab scale	Material / material	S235JR / 1.0037
			Typ Nr. typ-number	Bemerkung / notes / remarks	
			394	216832	
⊕	Schweißnaht war a7 und jetzt a5		23.09.2014	Bogdan	Benennung / description
Zust. condition	Änderung / modification		Datum/date	Name/name	
	Datum/date	Name/name	ZuL. Abw. acceptance tolerance ISO 2768 mittel		
Bearb./drawer	28.7.09	Hunka			
Exp. number					
Norm/standard					
GAH ALBERTS				Zeichnungsnummer drawing number	0394 0116 2
				Version	CE



Gewicht: 1,287 kg

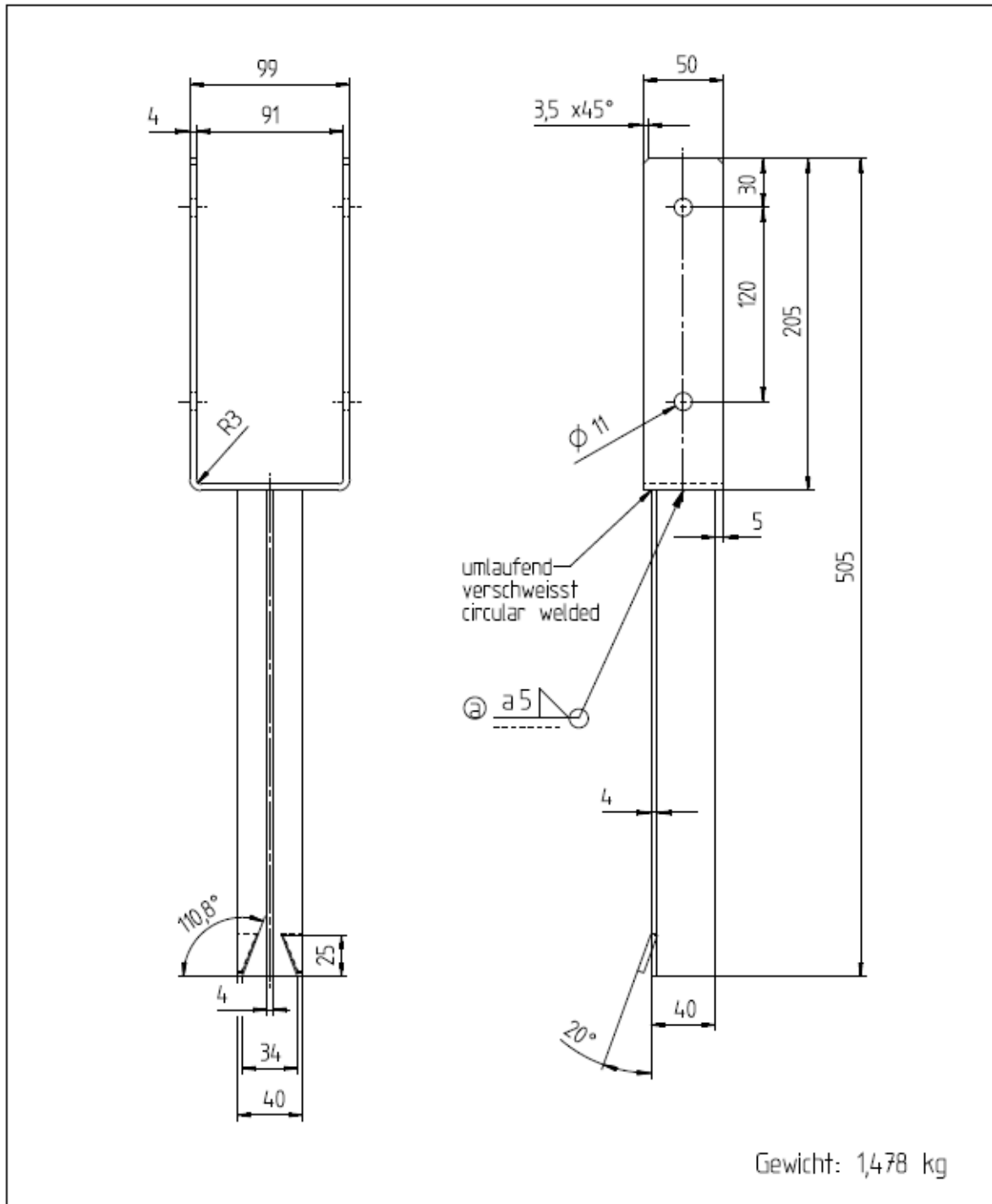
Pos. position	Stck. pc.	Benennung / description		Abmessung dimensions	Zeichnungsnr. drawing number	Bemerkung notes / remarks
Änderungen nur durch Abteilung K modification only from department K				Massstab scale	Material / material S235JR / 1.0037	
				Typ Nr. typ-number	Bemerkung / notes / remarks	
					394	216801
Ⓐ	Schweissnaht war a7 und jetzt a5		23.09.2014	Bogdan	Benennung / description	
Zust. condition	Änderung / modification		Datum/date	Name/name	U-Pfostenlasche, 121mm Post support, U-Shape, 121mm	
Bearb./drawer	Datum/date	Name/name	Zul. Abw. acceptance tolerance			
Exp./number			ISO 2768			
Norm/standard			mittel			
GAH ALBERTS					Zeichnungsnummer drawing number	0394 0121 2
					Version	CE



Gewicht: 1,318 kg

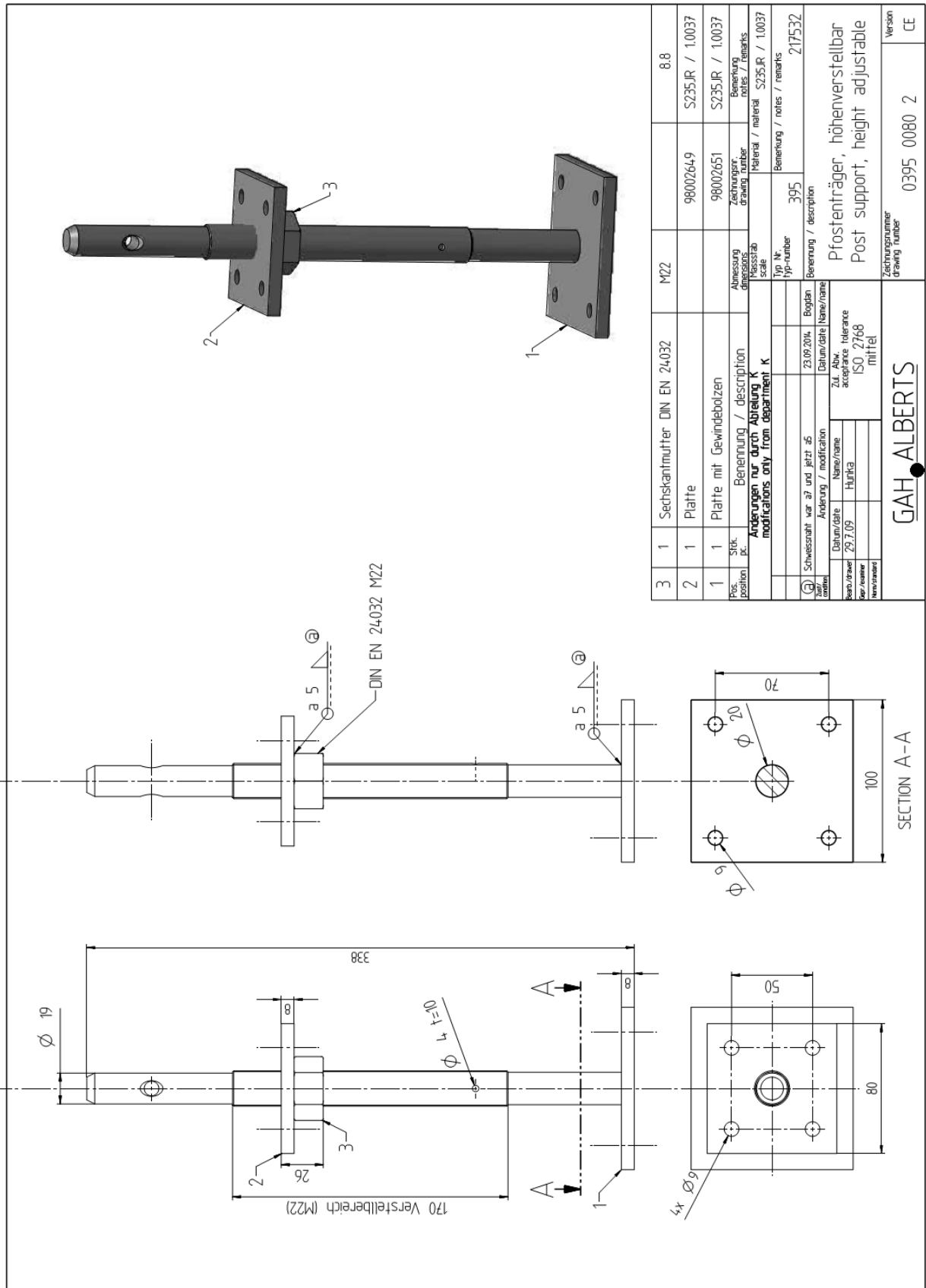
Pos. position	Stck. pc.	Benennung / description	Abmessung dimensions	Zeichnungsnr. drawing number	Bemerkung notes / remarks
		Änderungen nur durch Abteilung K modification only from department K	Massstab scale		Material / material S235JR / 1.0037
			Typ Nr. typ-number	394	Bemerkung / notes / remarks 216825
Ⓐ		Schweißnaht war a7 und jetzt a5	Datum/date 23.09.2014	Bogdan	Benennung / description
Zust. condition		Änderung / modification	Datum/date	Name/name	
Bearb./drawer	28.7.09	Hunka	Zul. Abw. acceptance tolerance ISO 2768 mittel		
Gepr. examiner					
Norm/standard					
GAH ALBERTS				Zeichnungsnummer drawing number	0394 0141 2
				Version	CE

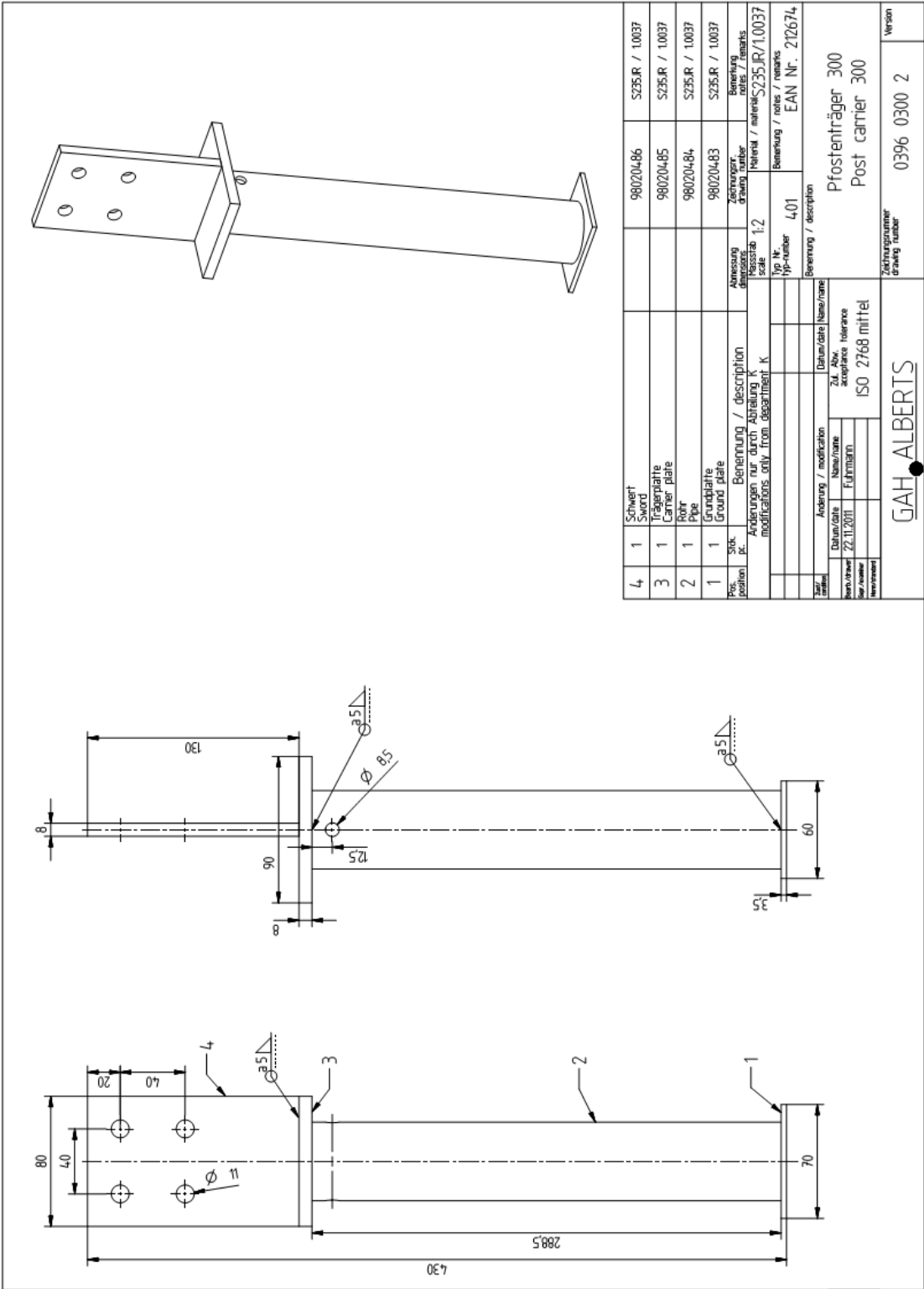
U-Pfostenlasche, 141mm
Post support, U-Shape, 141mm



Gewicht: 1,478 kg

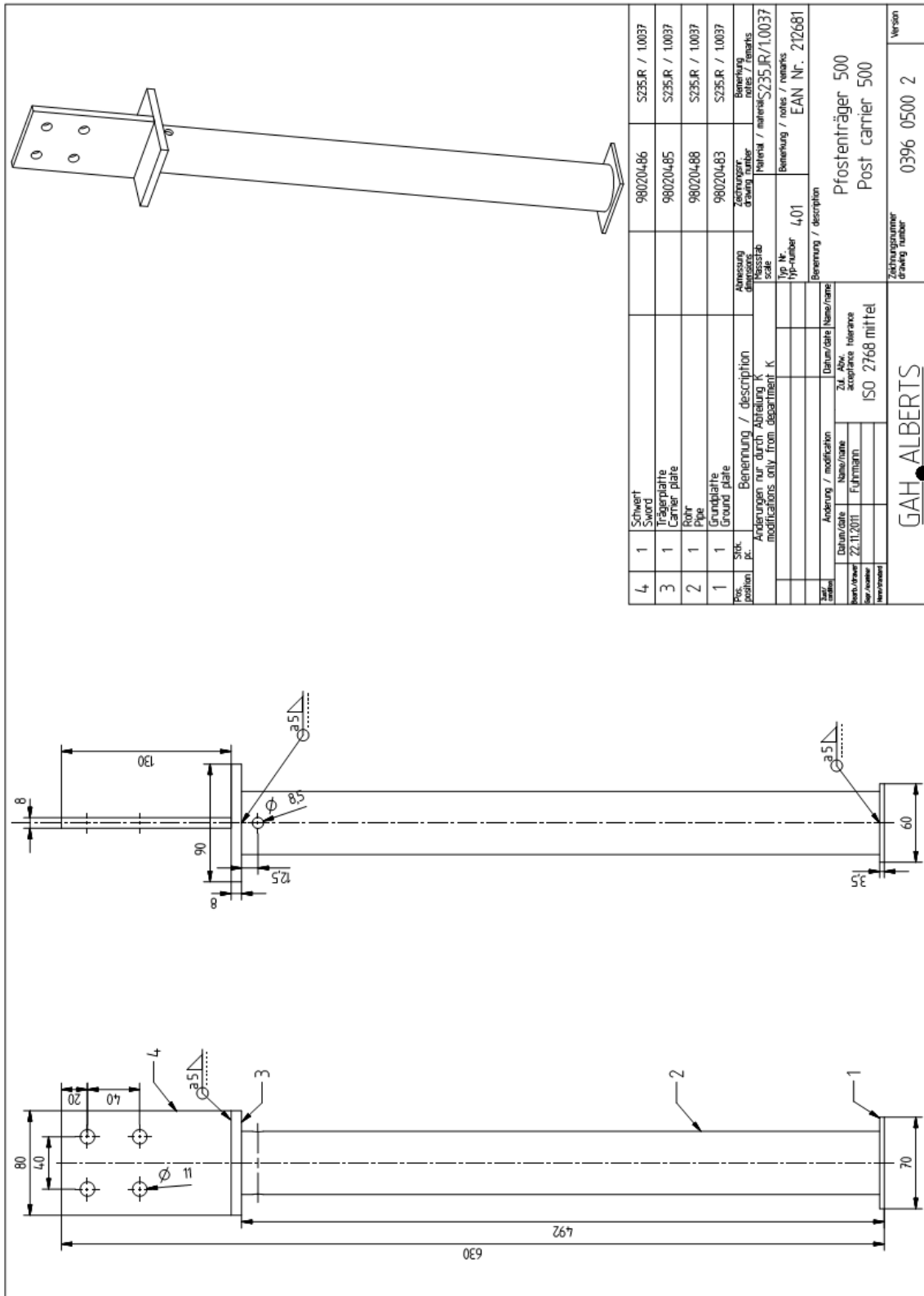
Pos. position	Stk. pc.	Benennung / description	Abmessung dimensions	Zeichnungsnr. drawing number	Bemerkung notes / remarks
Änderungen nur durch Abteilung K modification only from department K			Massstab scale	Material / material S235JR / 1.0037	
			Typ Nr. typ-number	Bemerkung / notes / remarks 216870	
			394		
Ⓐ		Schweißnaht war a7 und jetzt a5	23.09.2014	Bogdan	Benennung / description
Zust. condition	Änderung / modification		Datum/date	Name/name	
Bearb./drawer	Datum/date	Name/name	Zul. Abw. acceptance tolerance ISO 2768 mittel		
Gezeichnet	28.7.09	Hunka			
Norm/standard					
GAH ALBERTS			Zeichnungsnummer drawing number	0394 0092 2	Version CE





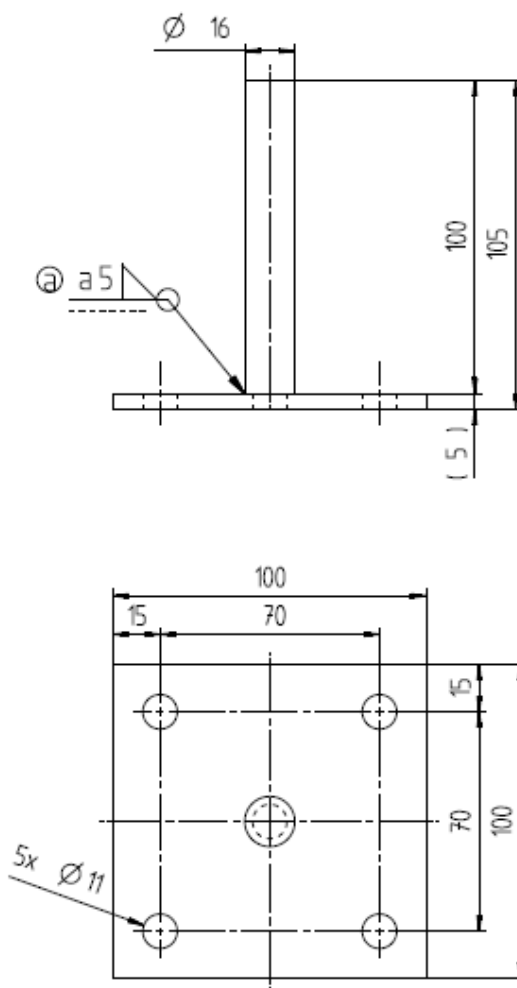
4	1	Schwert Sword	980204-86	SZ35.R / 10037
3	1	Trägerplatte Carrier plate	980204-85	SZ35.R / 10037
2	1	Rohr Pipe	980204-84	SZ35.R / 10037
1	1	Grundplatte Ground plate	980204-83	SZ35.R / 10037
Pos. position		Abmessung dimensions		
		Besatzab drawing number		
		Material / materials		
		Zertrüger drawing number		
		Benennung / name / remarks		
		EAN Nr. 212674		
		Benennung / description		
Änderung / modification		Datum/date		
Name/name		Zul. Abw. acceptance tolerance		
Datum/date		Führmann		
22.11.2011		ISO 2768 mittel		
Zertrüger drawing number		Zertrüger drawing number		
0396 0300 2		Version		
0396 0300 2		Version		

GAH ALBERTS

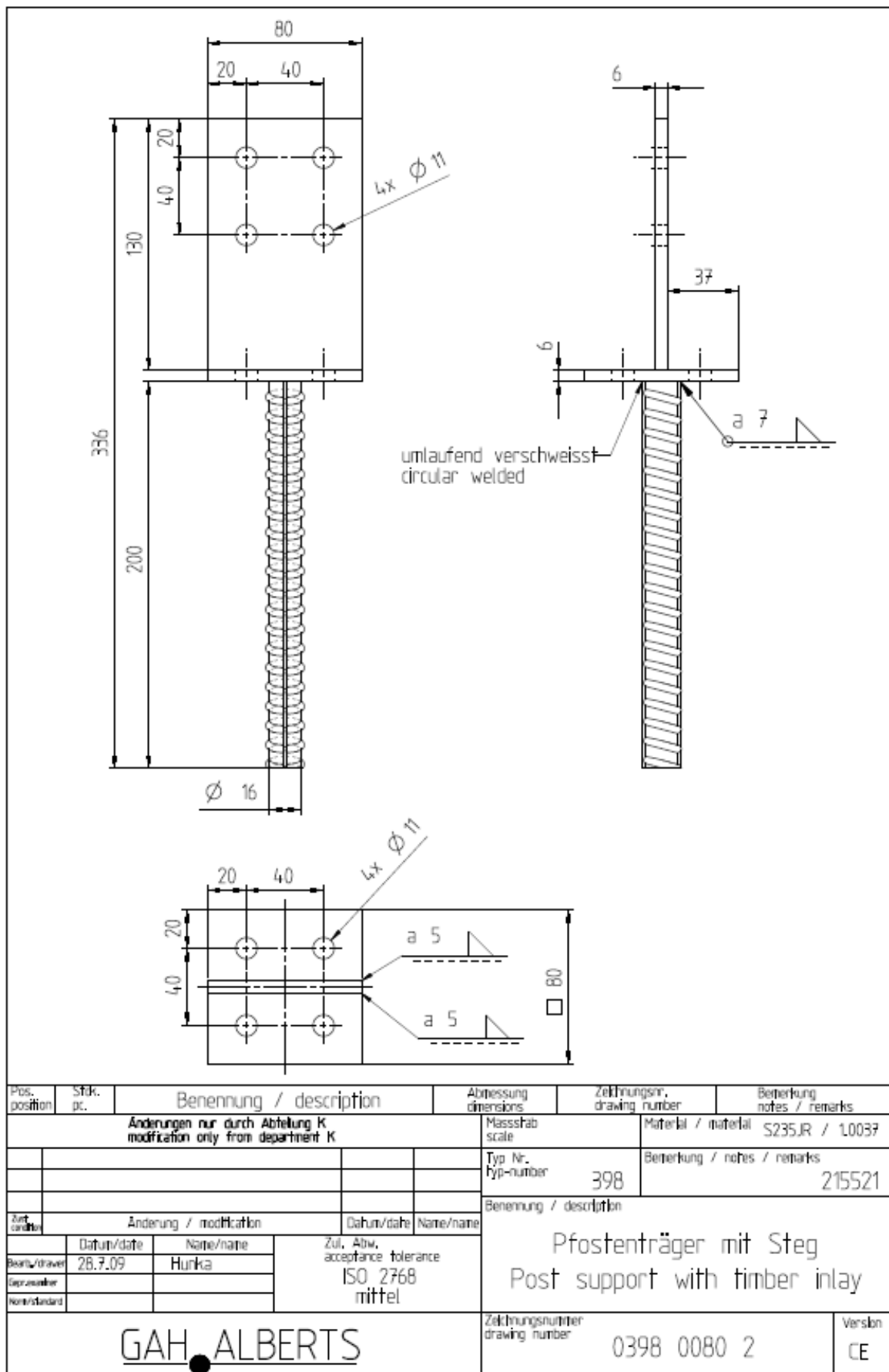


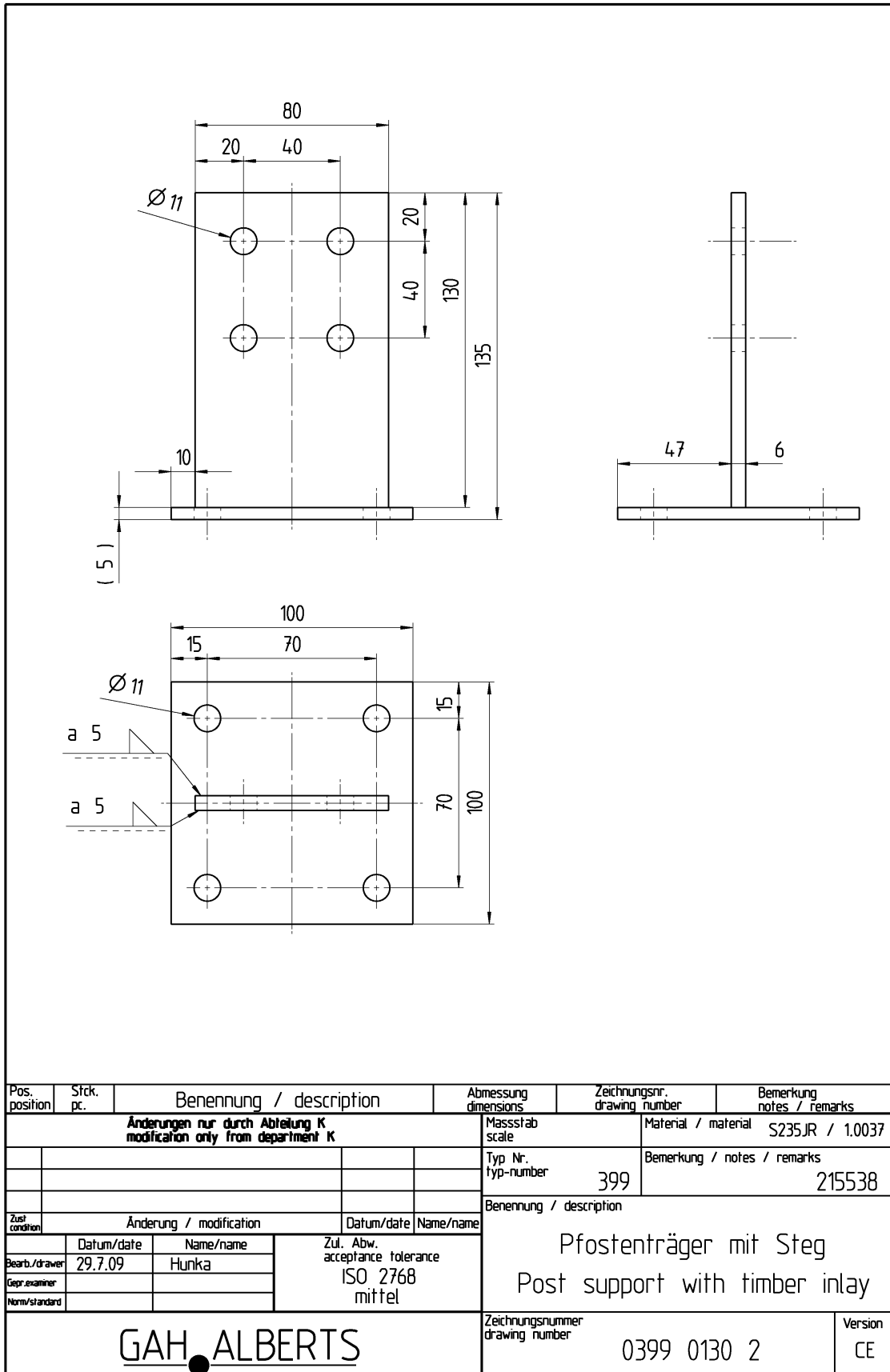
4	1	Schwert Sword	98020486	S235JR / 10037
3	1	Trägerplatte Carrier plate	98020485	S235JR / 10037
2	1	Rohr Pipe	98020488	S235JR / 10037
1	1	Grundplatte Ground plate	98020483	S235JR / 10037
Pos. position	Stk. pc.	Benennung / description Ammessung dimensions		Zeichnungsnummer drawing number
		Änderungen nur durch Abteilung K modifications only from department K		Material / materials
				Benennung / notes / remarks
				EAN Nr. 212681
				Benennung / description
				Pfostenträger 500
				Post carrier 500
				Zähl. Abw. tolerance
				ISO 2768 mittel
				Zählungszahl drawing number
				0396 0500 2
				Version
				2

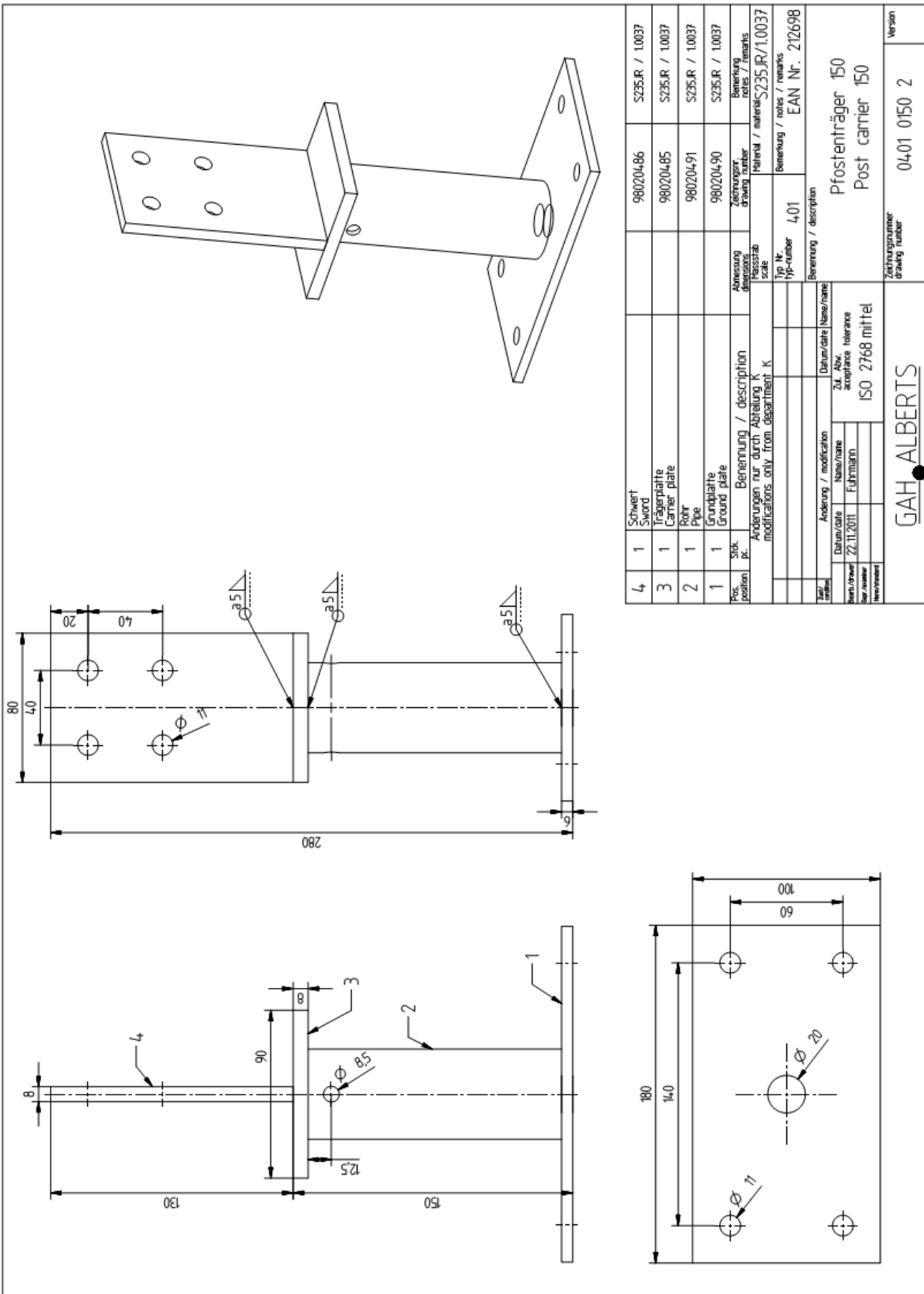
GAH ALBERTS

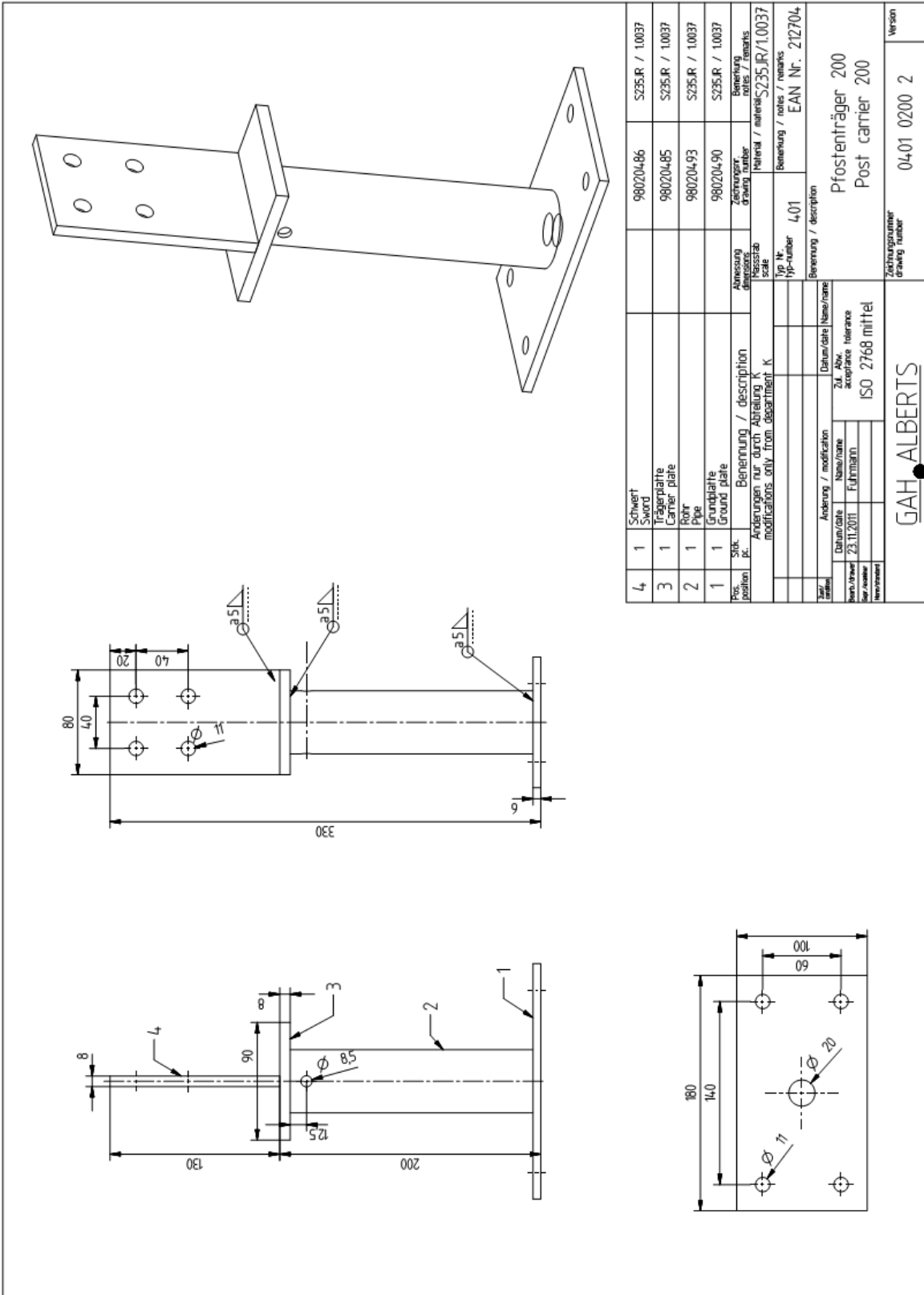


Pos. position	Stk. pc.	Benennung / description	Abmessung dimensions	Zeichnungsnr. drawing number	Bemerkung notes / remarks
Änderungen nur durch Abteilung K modification only from department K			Maßstab scale	Material / material	S235JR / 1.0037
			Typ Nr. typ-number	Bemerkung / notes / remarks	
			397	215453	
ⓐ		Schweißnaht war a7 und jetzt a5 Änderung / modification	23.09.2014	Bogdan	Benennung / description
Zust. condition	Datum/date	Name/name	Pfostenträger mit Stift Post support with pin		
Bearb./drawer	29.7.09	Hunka			
Gepr. exanther					
Norm/standard					
			Zu. Abw. acceptance tolerance ISO 2768 mittel	Zeichnungsnummer drawing number	Version
GAH ALBERTS				0397 0100 2	CE

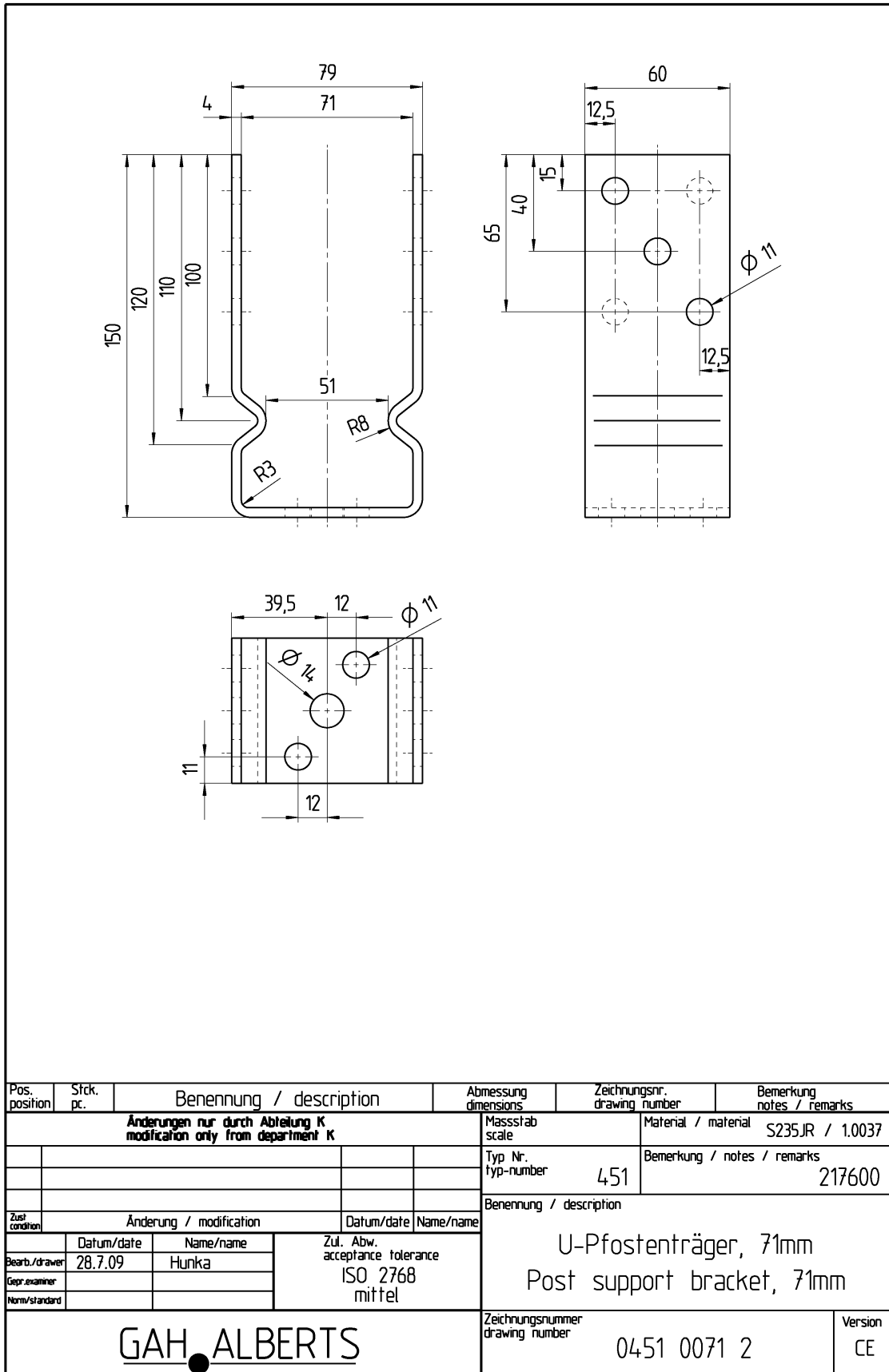




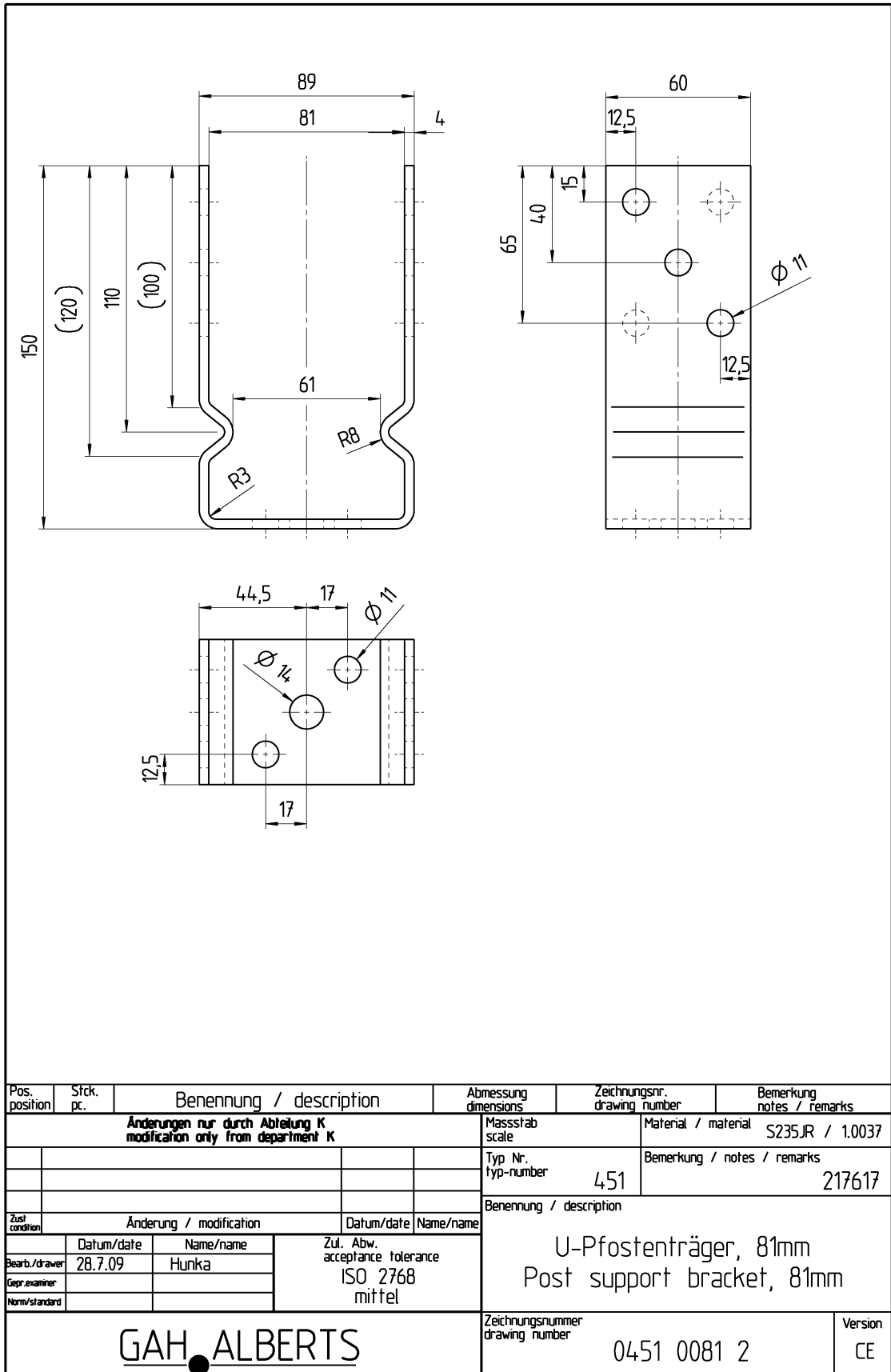


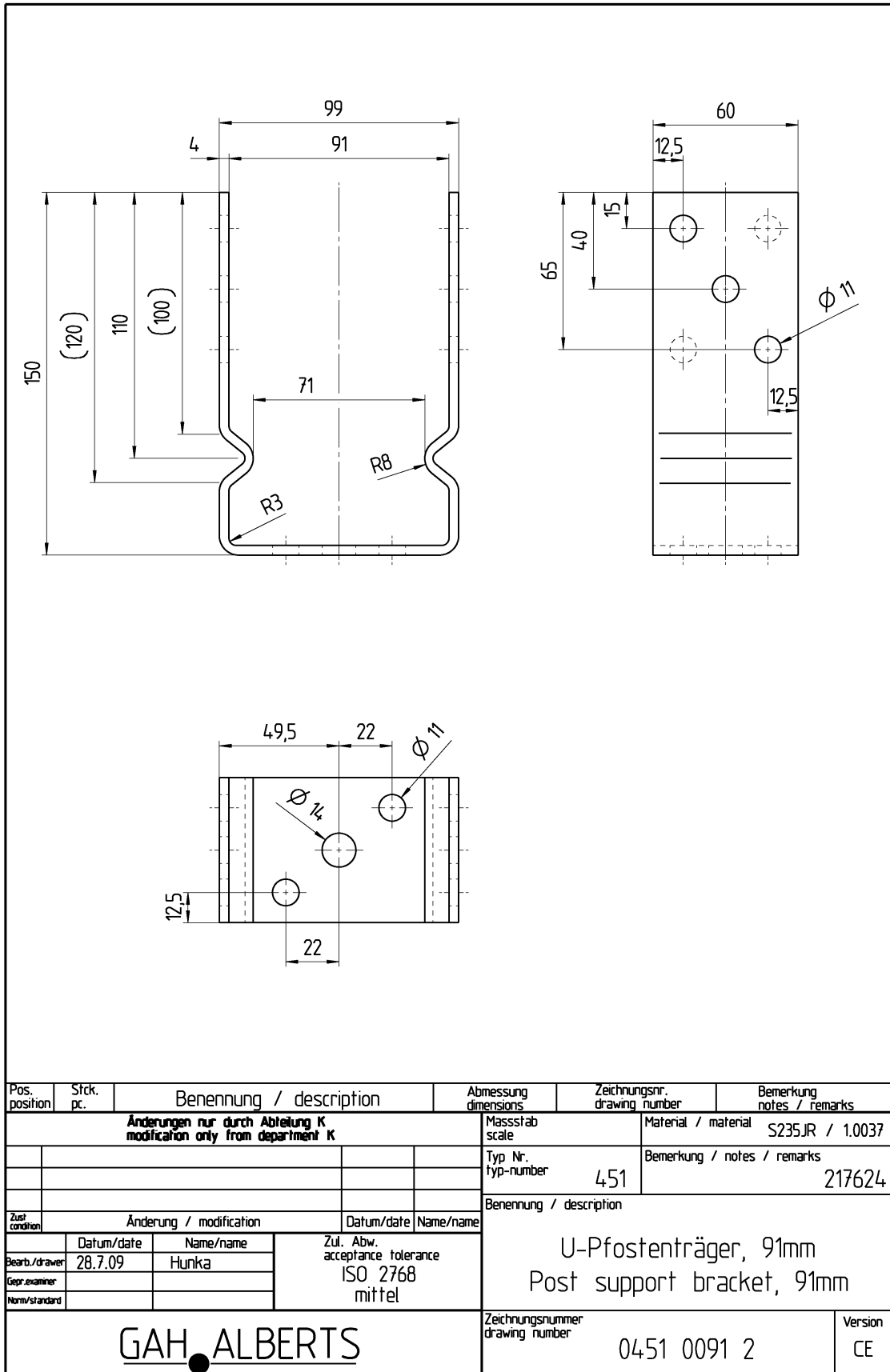


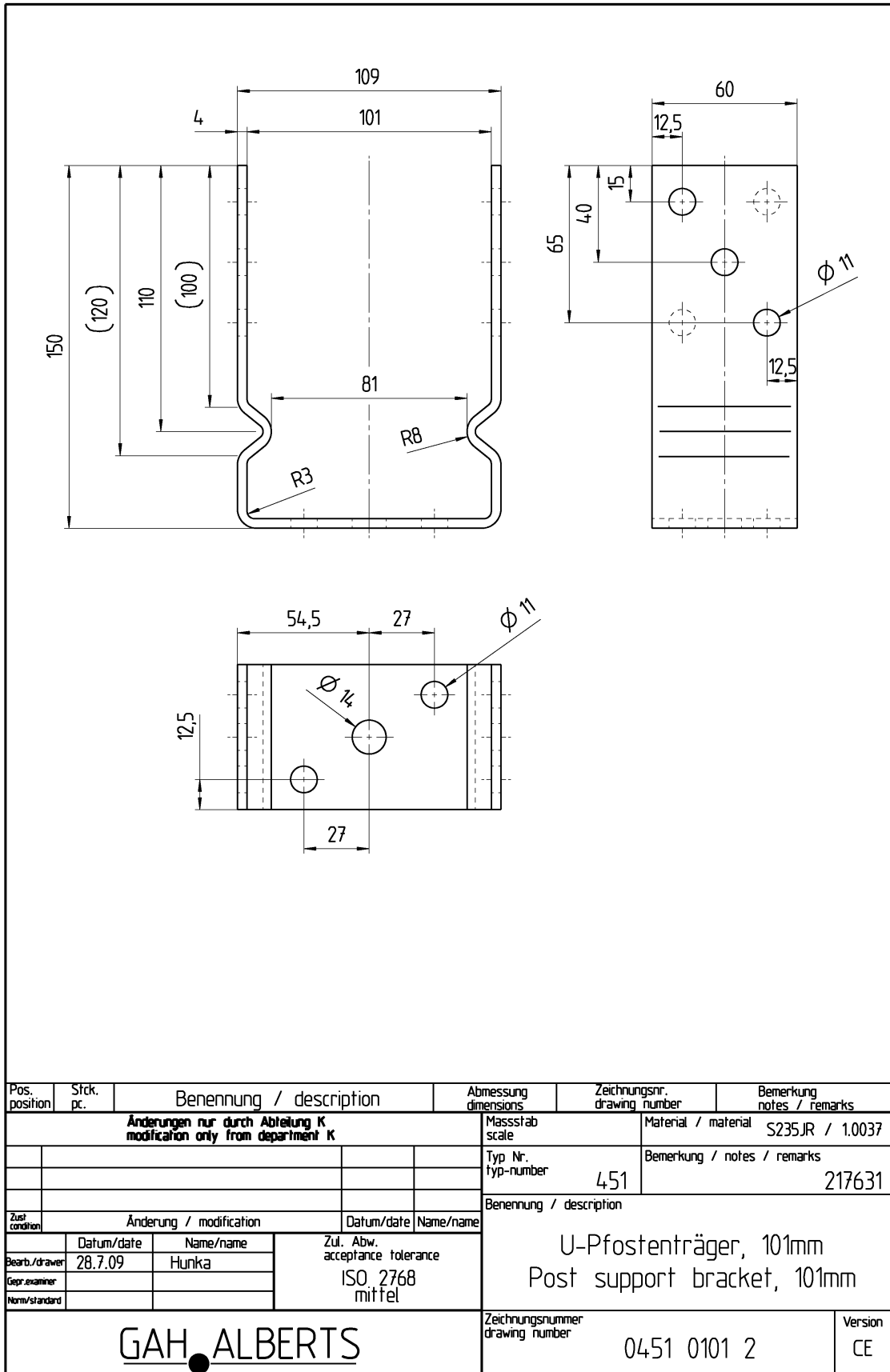
4	1	Schwert Sword	98020486	SZ35.R / 10037
3	1	Trägerplatte Carrier plate	98020485	SZ35.R / 10037
2	1	Rohr Pipe	98020493	SZ35.R / 10037
1	1	Grundplatte Ground plate	98020490	SZ35.R / 10037
Pos. / Position	Stk. / Pc.	Benennung / description Benennung nur durch Abteilung K modifications only from department K	Zeichnungs- drawing file	Benennung / name / remarks
		Anweisung direction to scale	Typ. Nr. type-number	Benennung / name / remarks
			4,01	EAN Nr. 212704
Teil- definition	Änderung / modification Benennung / description			
	Datum/date	Name/name	Datum/date Name/name	
		Zur Abw. tolerance	Zur Abw. tolerance	
Bearbeiter operator	Datum/date	Führmann	ISO 2768 mittel	
Revisoren				
GAH ALBERTS			Zeichnungsnummer drawing number	Version
			04,01 0200 2	2

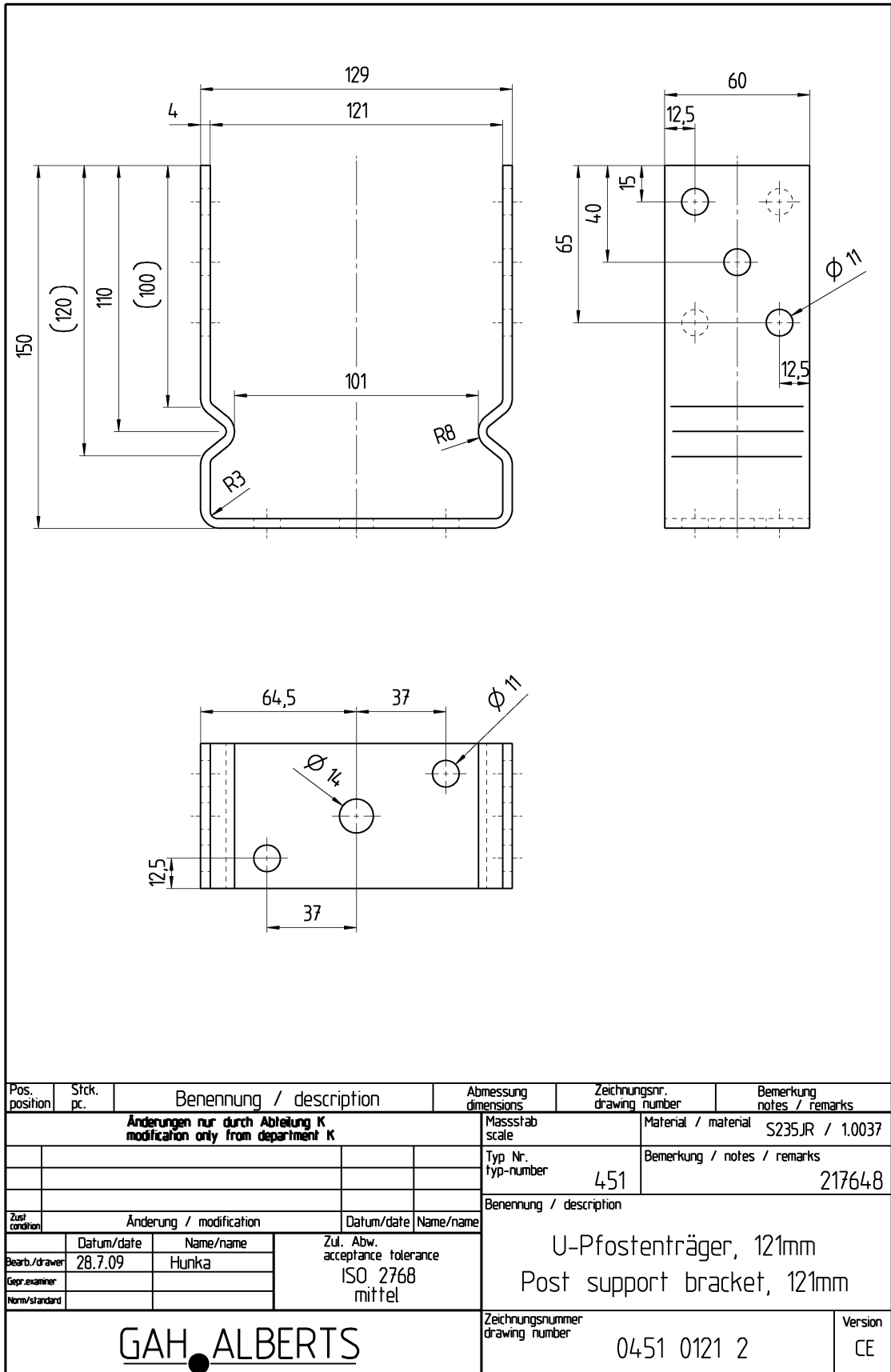


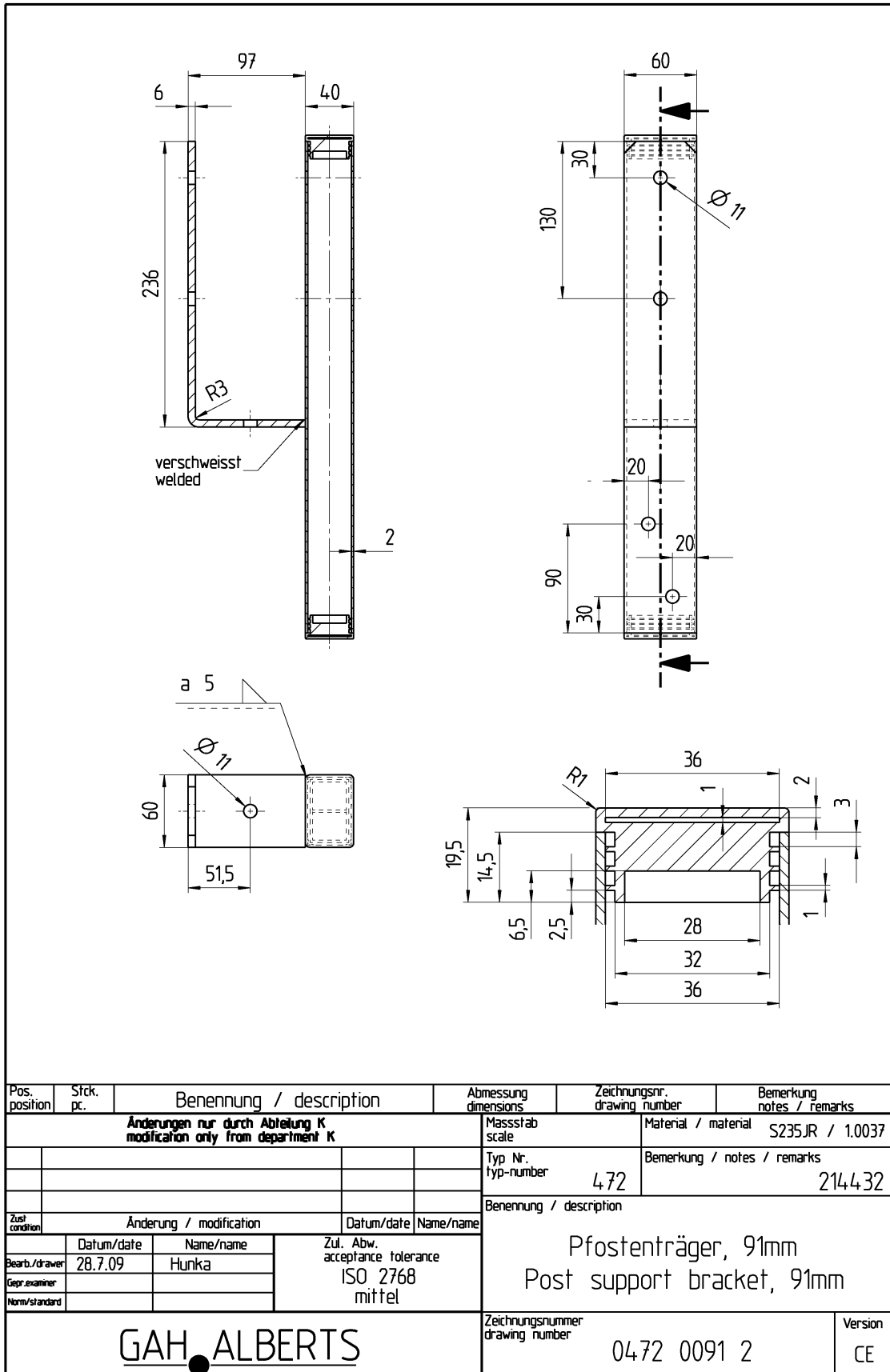
Pos. position	Stck. pc.	Benennung / description	Abmessung dimensions	Zeichnungsnr. drawing number	Bemerkung notes / remarks
Änderungen nur durch Abteilung K modification only from department K			Massstab scale	Material / material S235JR / 1.0037	
			Typ Nr. typ-number	451	Bemerkung / notes / remarks 217600
Zust. condition	Änderung / modification		Datum/date	Name/name	
Bearb./drawer	Datum/date	Name/name	Zul. Abw. acceptance tolerance ISO 2768 mittel		
Gepr./examiner	28.7.09	Hunka			
Norm/standard					
GAH ALBERTS			Zeichnungsnummer drawing number		Version
			0451 0071 2		CE

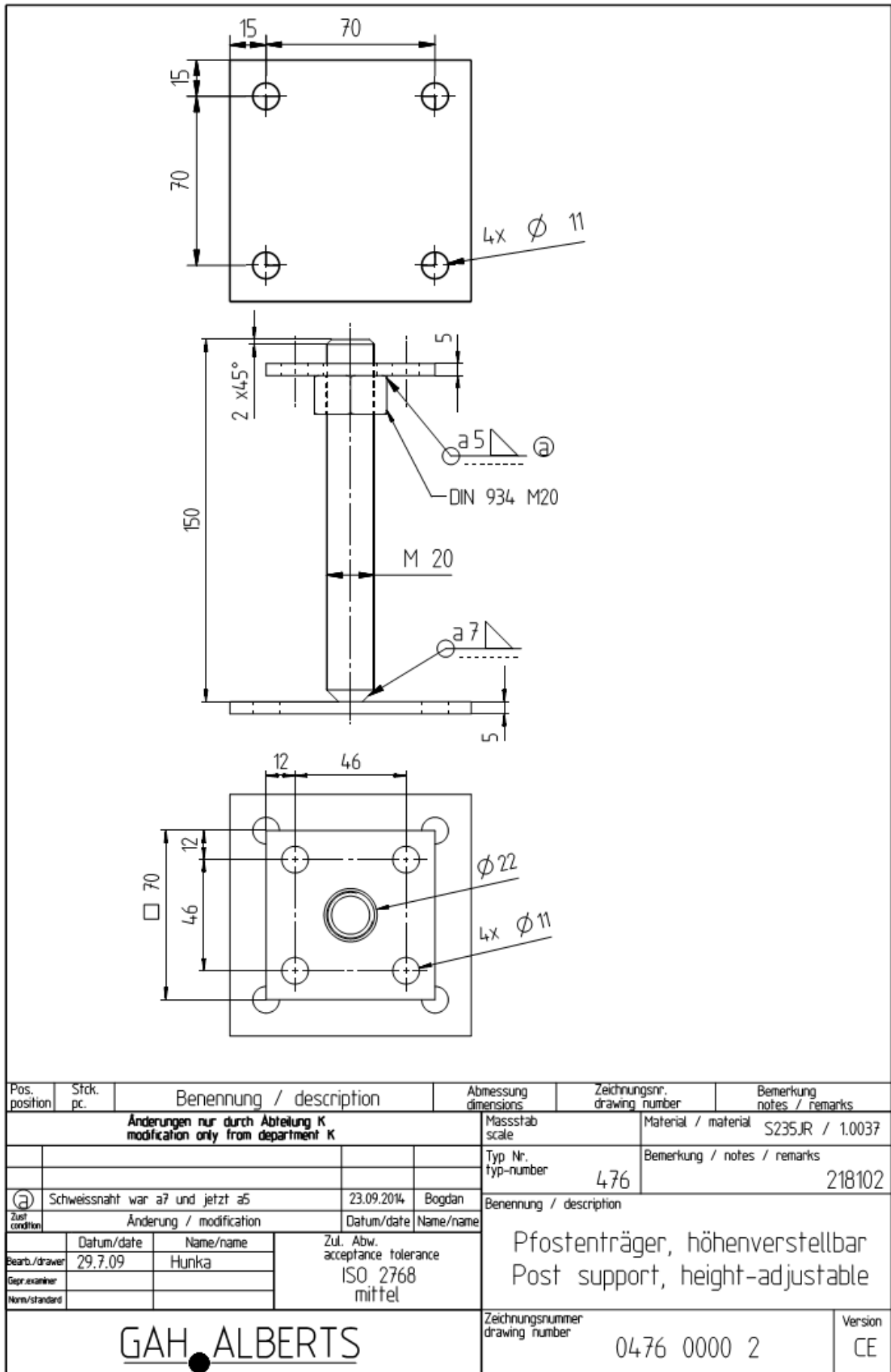




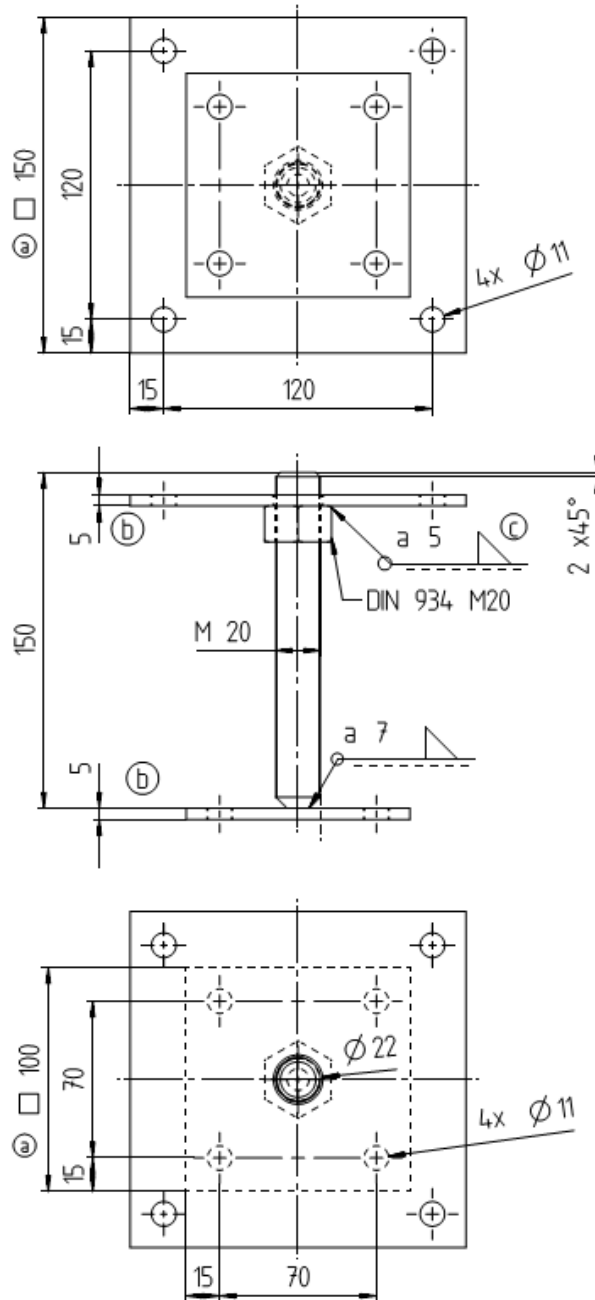






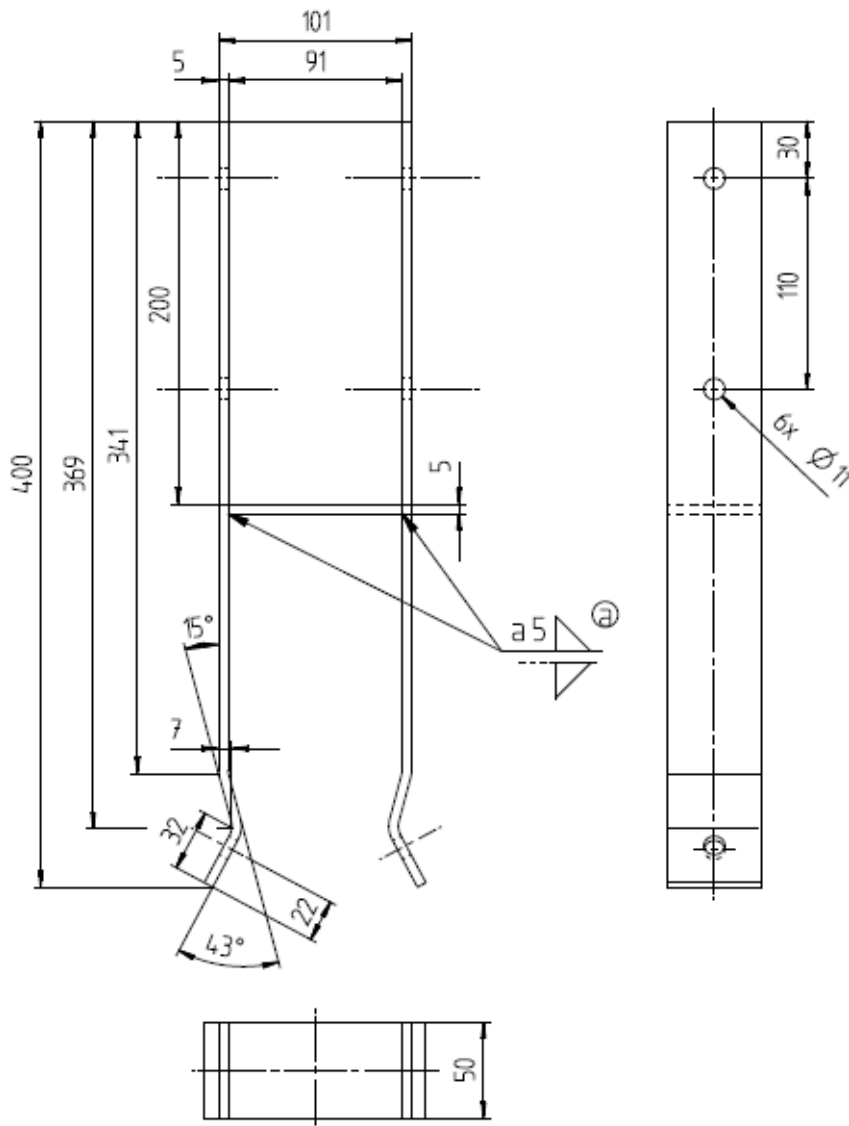


Pos. position	Sfck. pc.	Benennung / description		Abmessung dimensions	Zeichnungsnr. drawing number	Bemerkung notes / remarks
Änderungen nur durch Abteilung K modification only from department K				Massstab scale	Material / material S235JR / 1.0037	
				Typ Nr. typ-number	476	Bemerkung / notes / remarks 218102
(a)	Schweissnaht war a7 und jetzt a5		23.09.2014	Bogdan	Benennung / description	
Zust. condition	Änderung / modification		Datum/date	Name/name	Pfostenträger, höhenverstellbar Post support, height-adjustable	
Bearb./drawer	Datum/date	Name/name	Zul. Abw. acceptance tolerance ISO 2768 mittel			
Gepr. examiner						
Norm/standard						
GAH ALBERTS				Zeichnungsnummer drawing number	0476 0000 2	Version CE

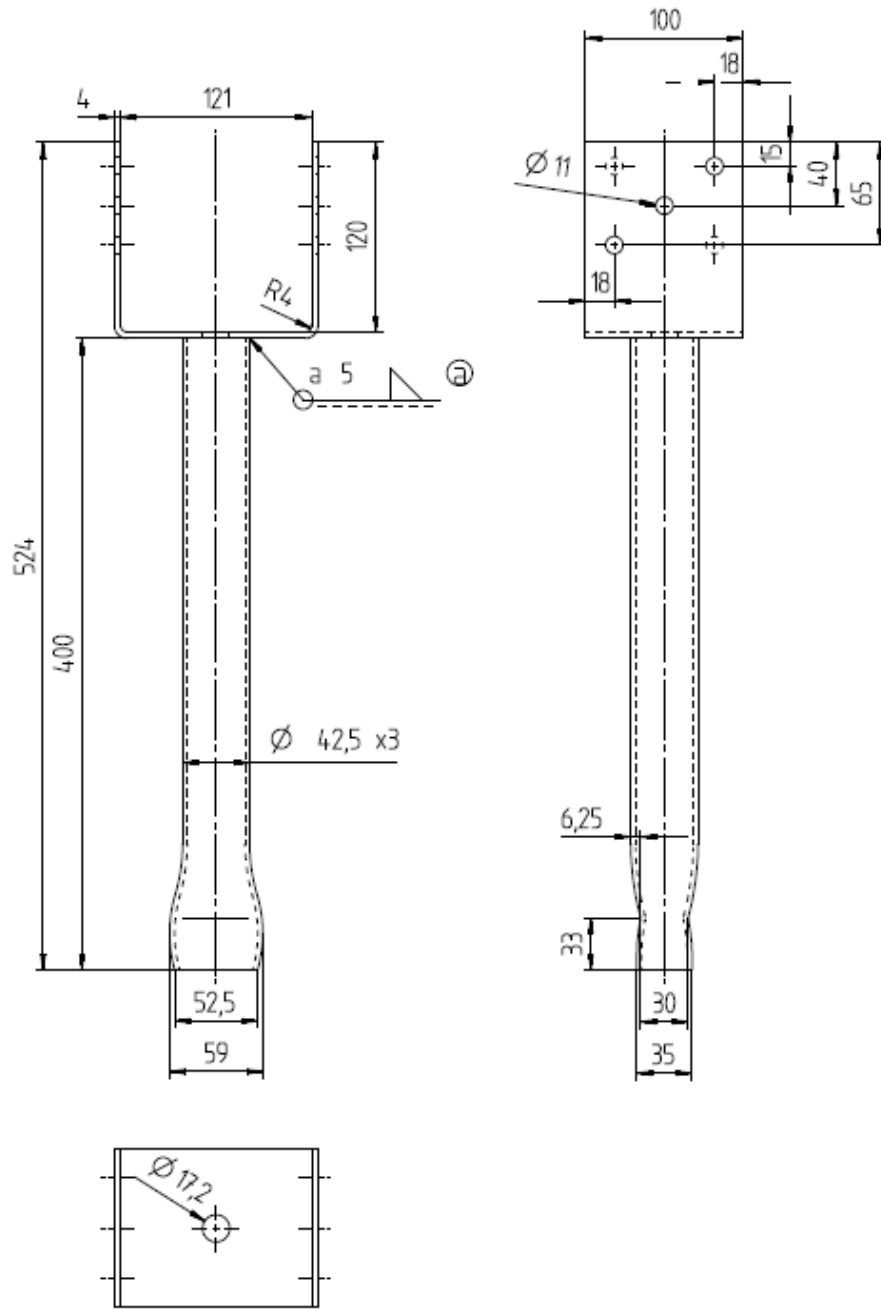


Ⓒ Schweißnaht war a7 und jetzt a5 23.09.2014 Bogdan

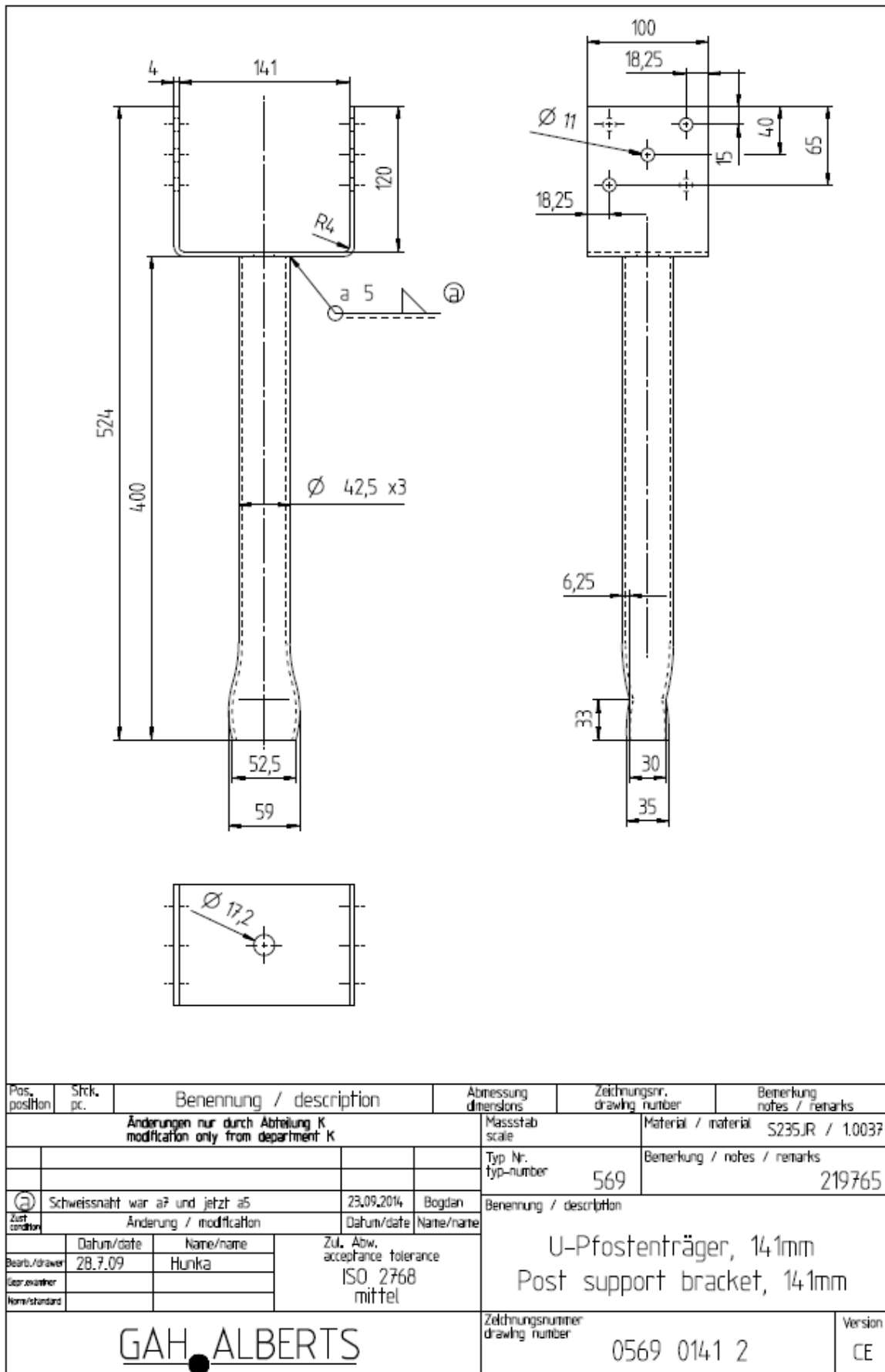
Pos. position	Sfck. pc.	Benennung / description	Abmessung dimensions	Zeichnungsnr. drawing number	Bemerkung notes / remarks
Änderungen nur durch Abteilung K modification only from department K			Massstab scale	Material / material S235JR / 1.0037	
Ⓒ		150mm Platte war unten jetzt oben	05.05.2014	Bogdan	Bemerkung / notes / remarks 218119
Ⓒ		100mm Platte war oben jetzt unten			
Ⓐ		Mass war 150mm, Mass war 100	02.08.2013	G.Hunka	Benennung / description Pfostenträger, höhenverstellbar Post support, height adjustable
Zust. condition	Änderung / modification		Datum/date	Name/name	
Bearb./drawer	Datum/date	Name/name	Zul. Abw. acceptance tolerance ISO 2768 mittel		
Gep. examiner					
Norm/standard					
GAH ALBERTS				Zeichnungsnummer drawing number 0476 0150 2	Version CE

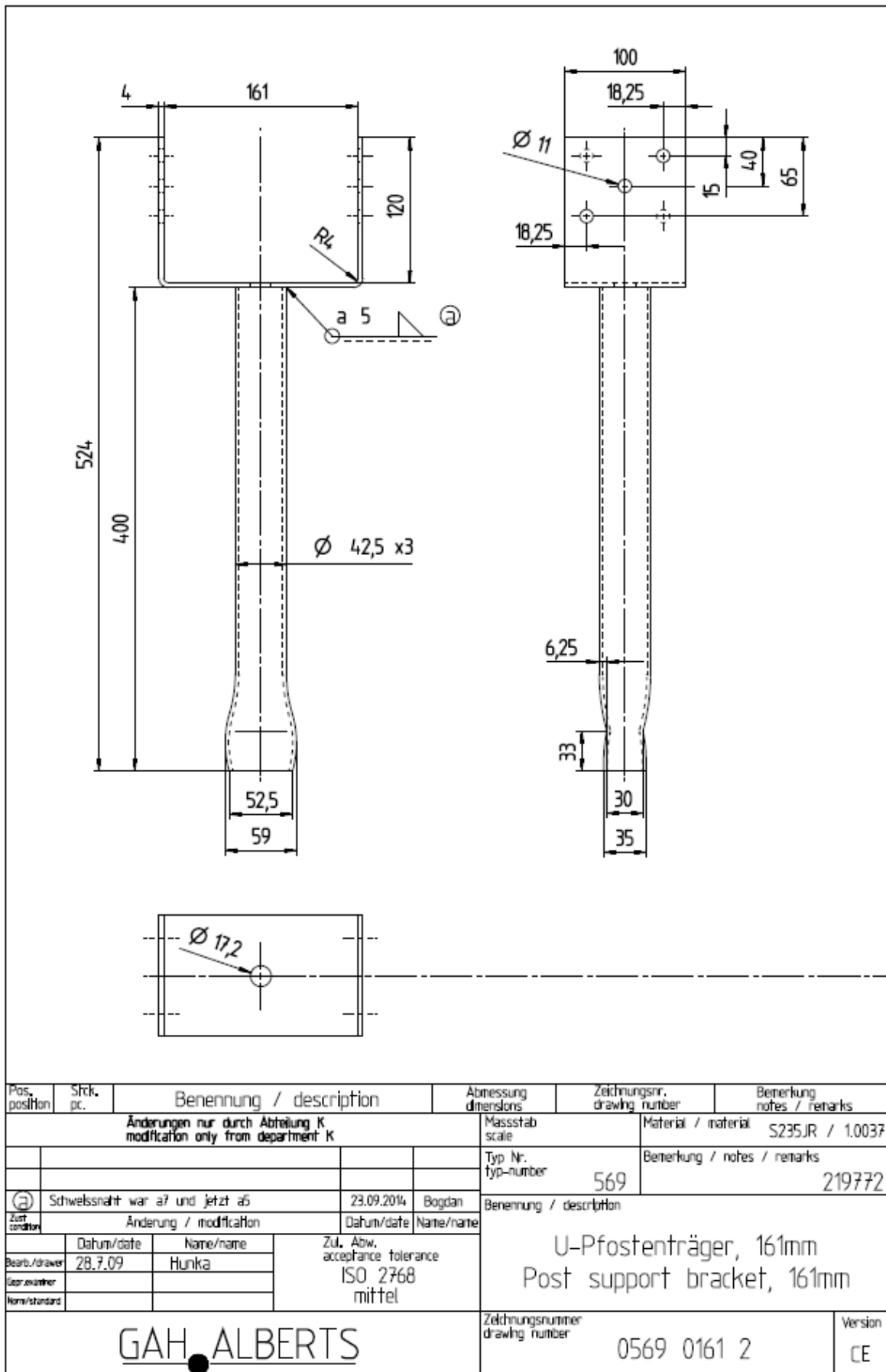


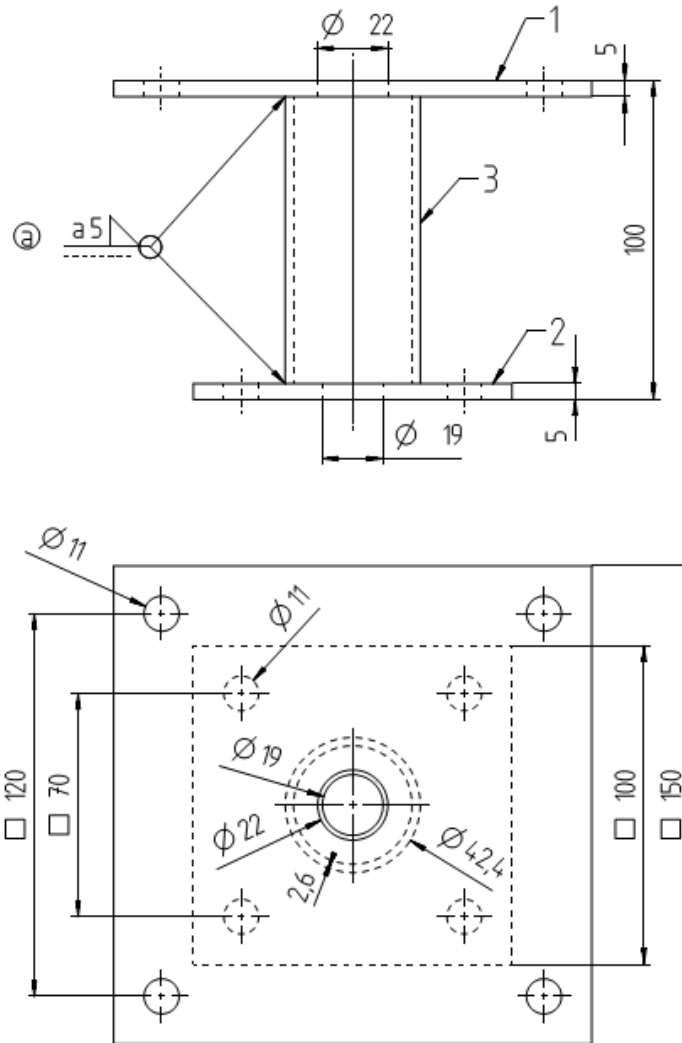
Pos. position	Sfck. pc.	Benennung / description		Abmessung dimensions	Zeichnungsnr. drawing number	Bemerkung notes / remarks
		Änderungen nur durch Abteilung K modification only from department K		Massstab scale		Material / material S235JR / 1.0037
				Typ Nr. typ-number	566	Bemerkung / notes / remarks 219703
Ⓒ		Schweissnaht war a7 und jetzt a5		23.09.2014	Bogdan	
Zust. condition	Änderung / modification		Datum/date	Name/name		
Bearb./drawer	29.7.09	Hunka		Zul. Abw. acceptance tolerance ISO 2768 mittel		
Gepr. examiner						
Norm/standard						
GAH ALBERTS				Zeichnungsnummer drawing number	0566 0091 2	
						Version CE



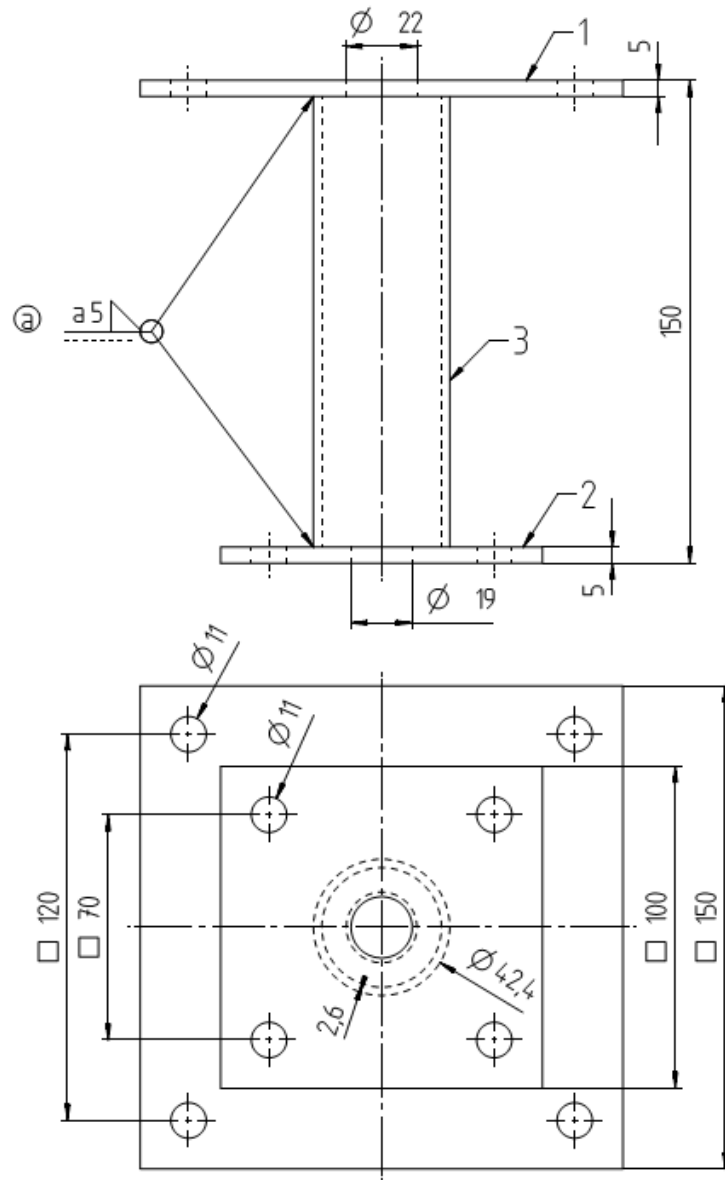
Pos. position	Stck. pc.	Benennung / description		Abmessung dimensions	Zeichnungsnr. drawing number	Bemerkung notes / remarks
Änderungen nur durch Abteilung K modification only from department K				Massstab scale	Material / material	S235JR / 1.0037
				Typ Nr. typ-number	Bemerkung / notes / remarks	
					569	219758
Ⓐ	Schweissnaht war a7 und jetzt a5 Anderung / modification		Datum/date	Name/name	Benennung / description	
	Datum/date	Name/name	Zul. Abw. acceptance tolerance		U-Pfostenträger, 121mm Post support bracket, 121mm	
Bearb./drawer	31.7.09	Hunka	ISO 2768 mittel			
Gez./vanter						
Norm/standard						
GAH ALBERTS				Zeichnungsnummer drawing number	0569 0121 2	Version
						CE



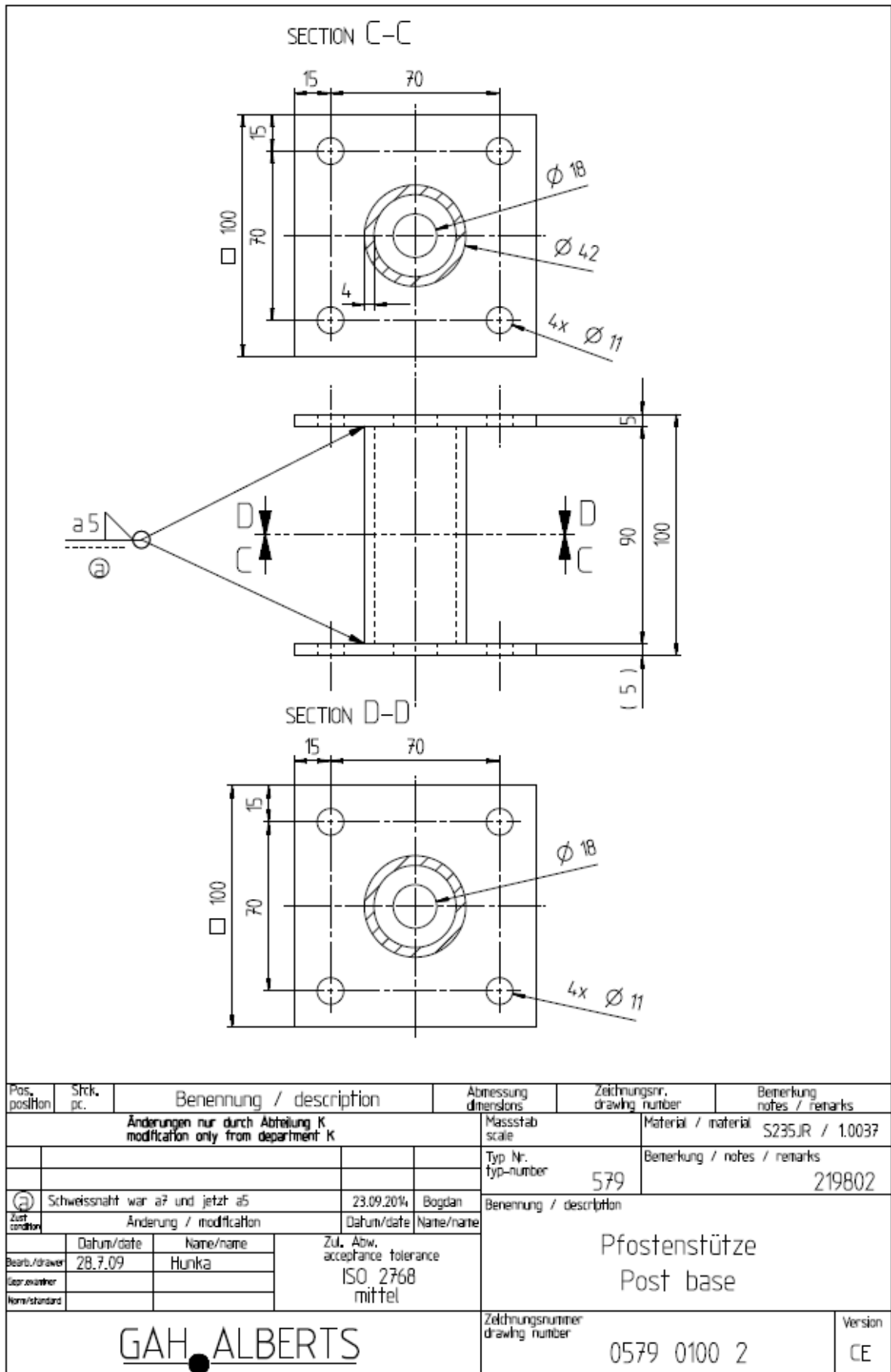


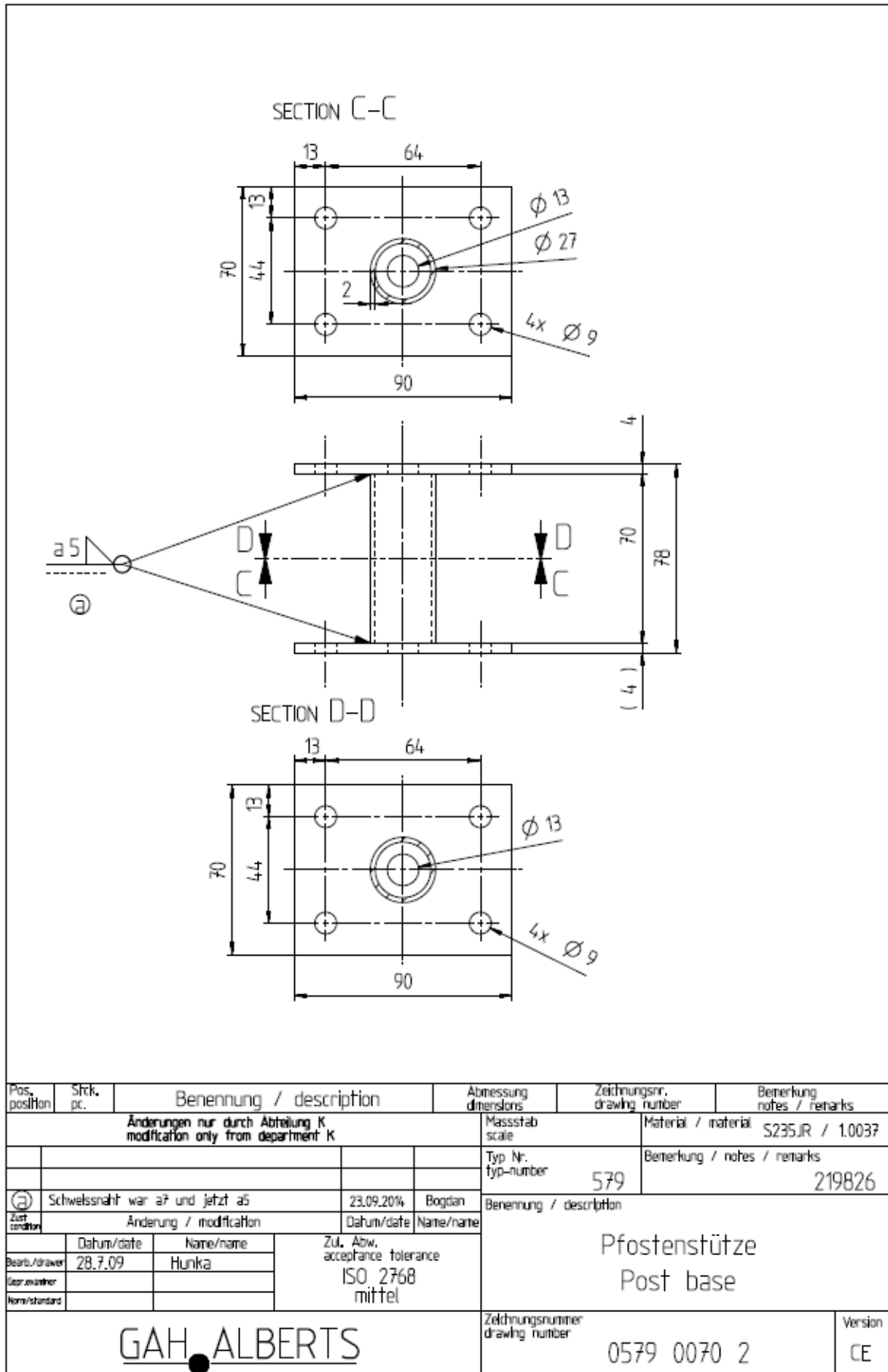


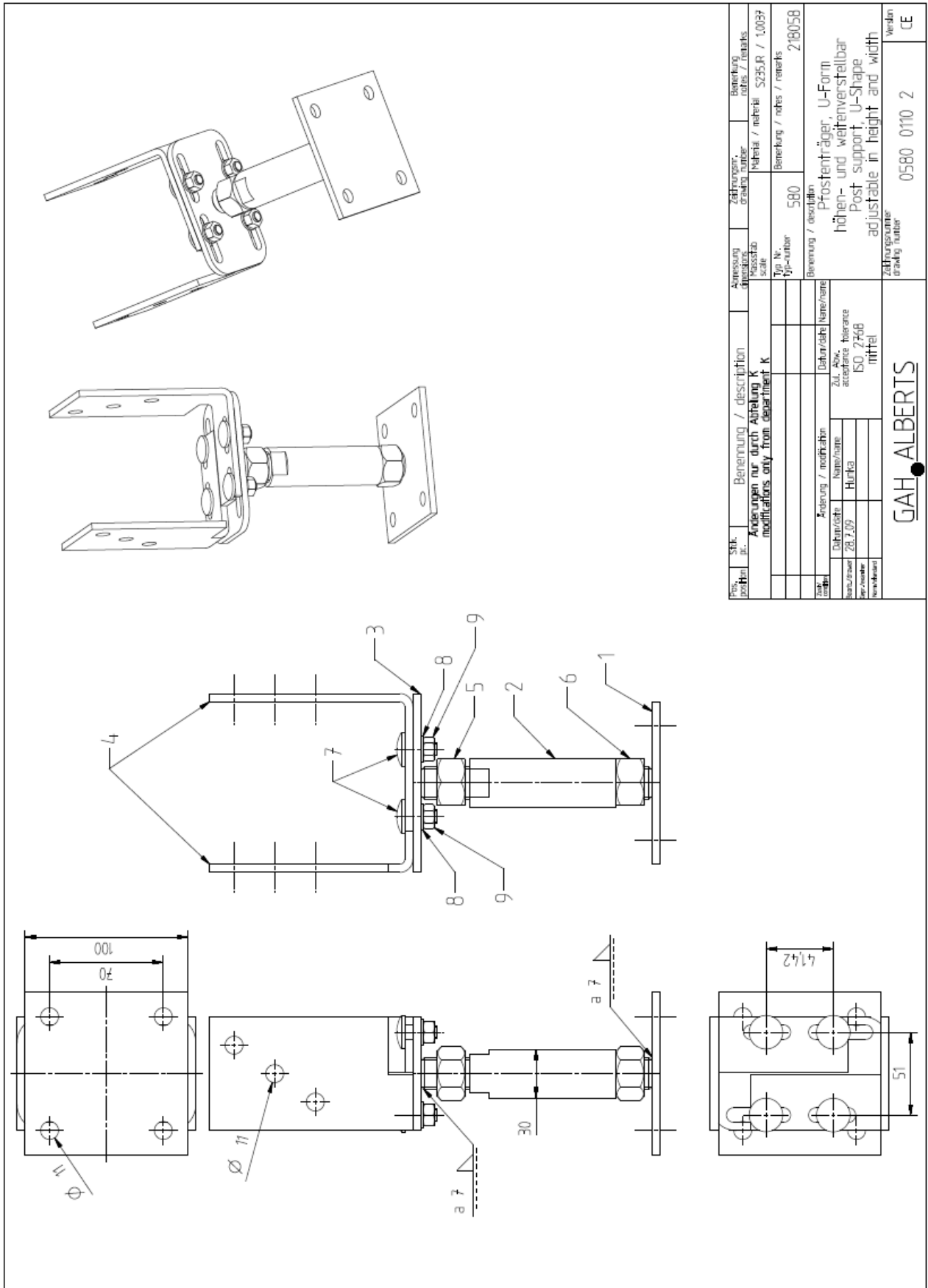
3	1	Rohr Tube		98007652	S235JR / 1.0037	
2	1	Platte klein Plate small		98002025	S235JR / 1.0037	
1	1	Platte gross Plate big		98002023	S235JR / 1.0037	
Pos. position	Stck. pc.	Benennung / description		Abmessung dimensions	Zeichnungsnr. drawing number	Bemerkung notes / remarks
Änderungen nur durch Abteilung K modification only from department K				Massstab scale	Material / material S235JR / 1.0037	
				Typ Nr. typ-number	Bemerkung / notes / remarks	
				577	219819	
(a)	Schweissnaht war a7 und jetzt a5		23.09.2014	Bogdan	Benennung / description	
Zust. condition	Änderung / modification		Datum/date	Name/name		
Bearb./drawer	Datum/date	Name/name	Zul. Abw. acceptance tolerance ISO 2768 mittel			
Gepr.examiner						
Norm/standard						
GAH ALBERTS				Zeichnungsnummer drawing number	0577 0100 2	Version CE



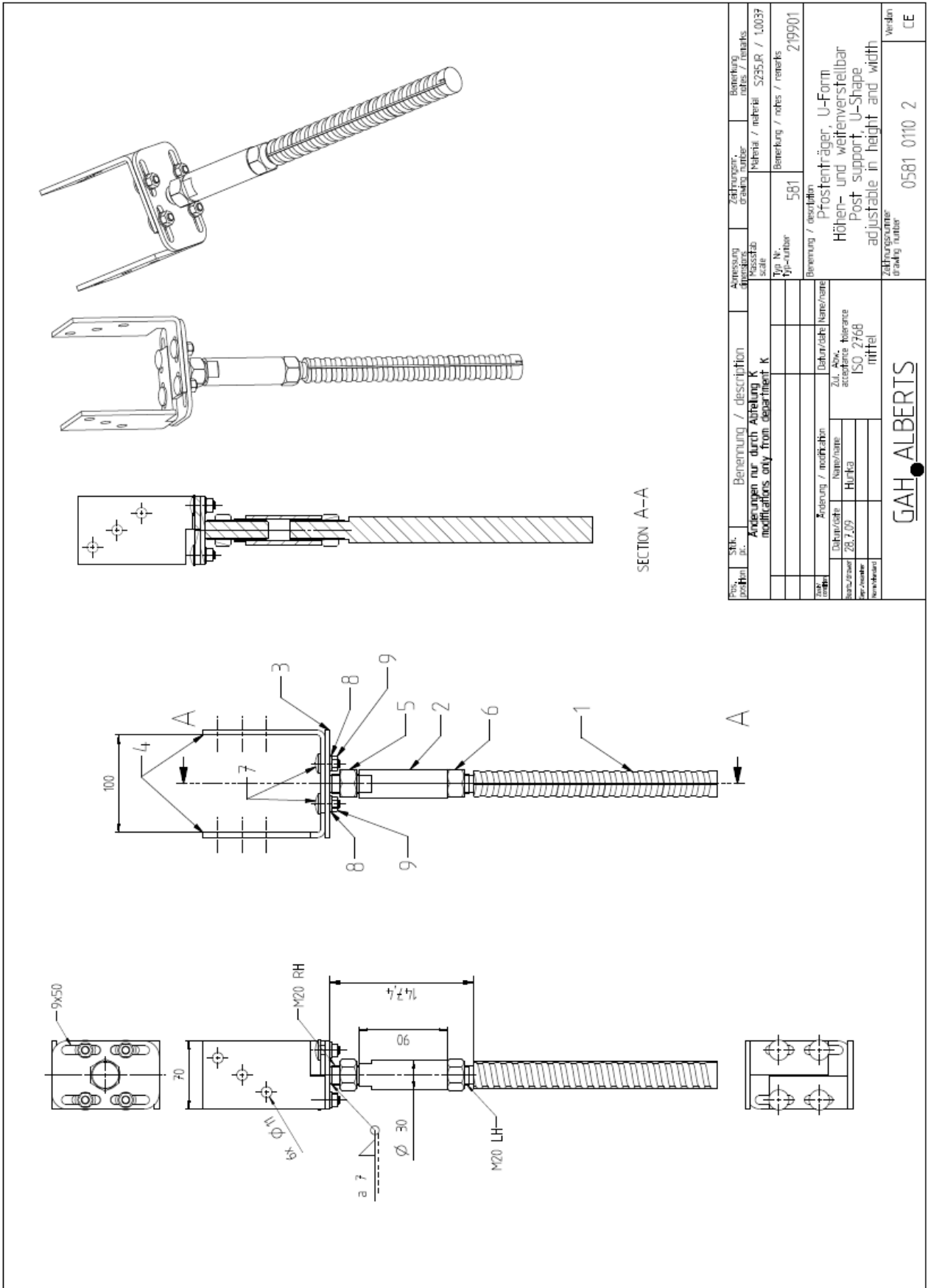
3	1	Rohr Tube		98002027	S235JR / 1.0037	
2	1	Platte klein Plate small		98002025	S235JR / 1.0037	
1	1	Platte gross Plate big		98002023	S235JR / 1.0037	
Pos. position	Stck. pc.	Benennung / description		Abmessung dimensions	Zeichnungsnr. drawing number	Bemerkung notes / remarks
Änderungen nur durch Abteilung K modification only from department K				Massstab scale	Material / material S235JR / 1.0037	
				Typ Nr. typ-number	Bemerkung / notes / remarks	
				577	210823	
(a)	Schweissnaht war a7 und jetzt a5		23.09.2014	Bogdan	Benennung / description	
Zust. condition	Änderung / modification		Datum/date	Name/name		
Bearb./drawer	Datum/date	Name/name	Zul. Abw. acceptance tolerance ISO 2768 mittel			
Gepr.examiner	5.8.09	Hunka				
Norm/standard						
GAH ALBERTS				Zeichnungsnummer drawing number	Version	
				0577 0150 2	CE	



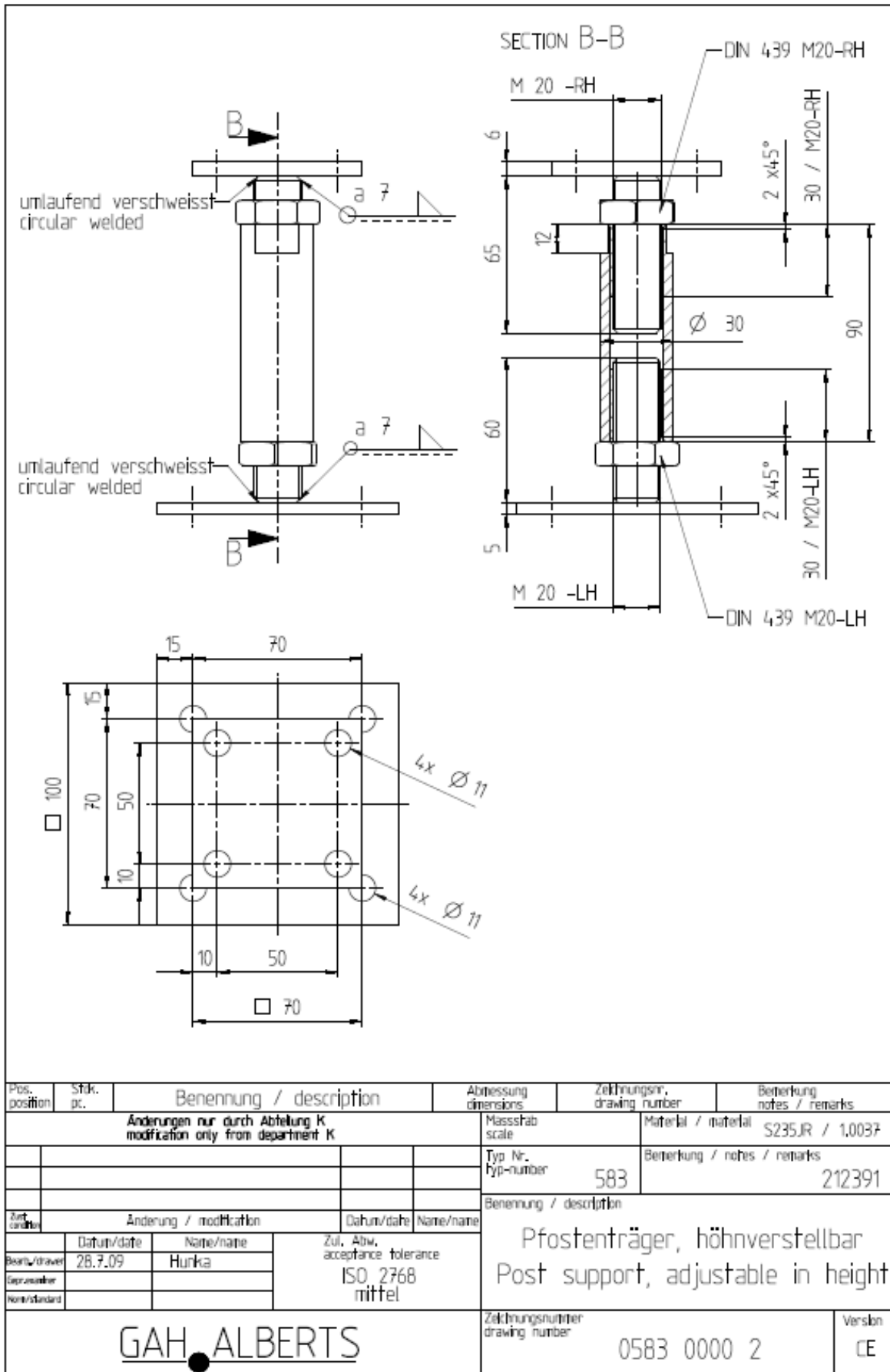


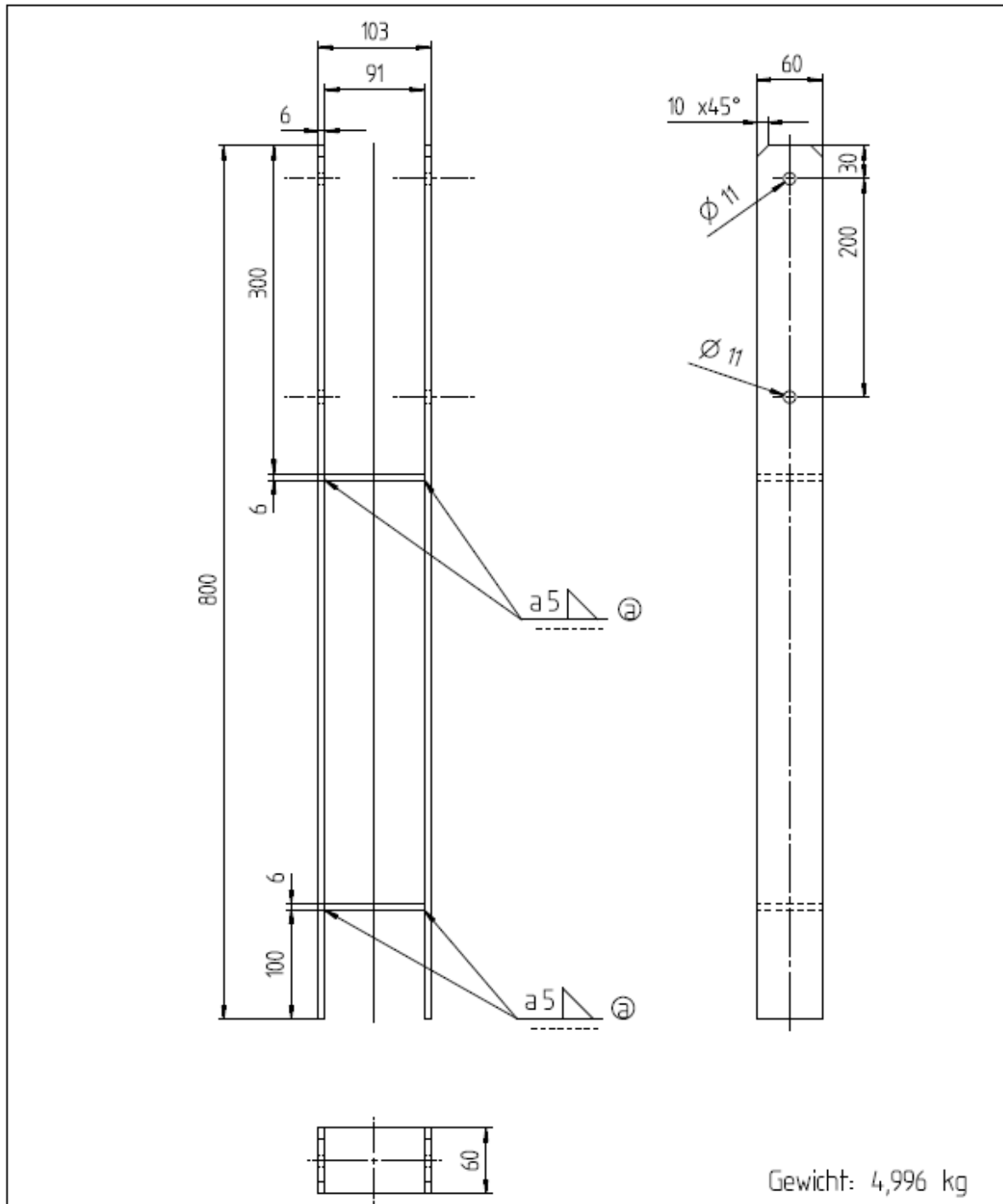


Proj. Nr./Bl. Nr.	Stk. / Bl. Nr.	Benennung / description	Abmessung / dimensions	Zählungsnr. / drawing number	Benennung / notes / remarks
		Änderungen nur durch Abteilung K modifications only from department K	Massstab / scale	Material / material	S235.R / 1.0037
			Typ N. / type-number	580	Benennung / notes / remarks
			Benennung / description	218058	
Zust. / status	Änderung / modification	Datum/dte / date	Pfostenträger, U-Form höhen- und weitenverstellbar Post support, U-Shape adjustable in height and width		
Datum/dte / date	Nr./no. / no.	Zul. Abw. / tolerance	Zählungsnr. / drawing number		
28.7.09	Hunka	ISO 2768 mittel	0580 0110 2		
GAA ALBERTS		Welding CE			



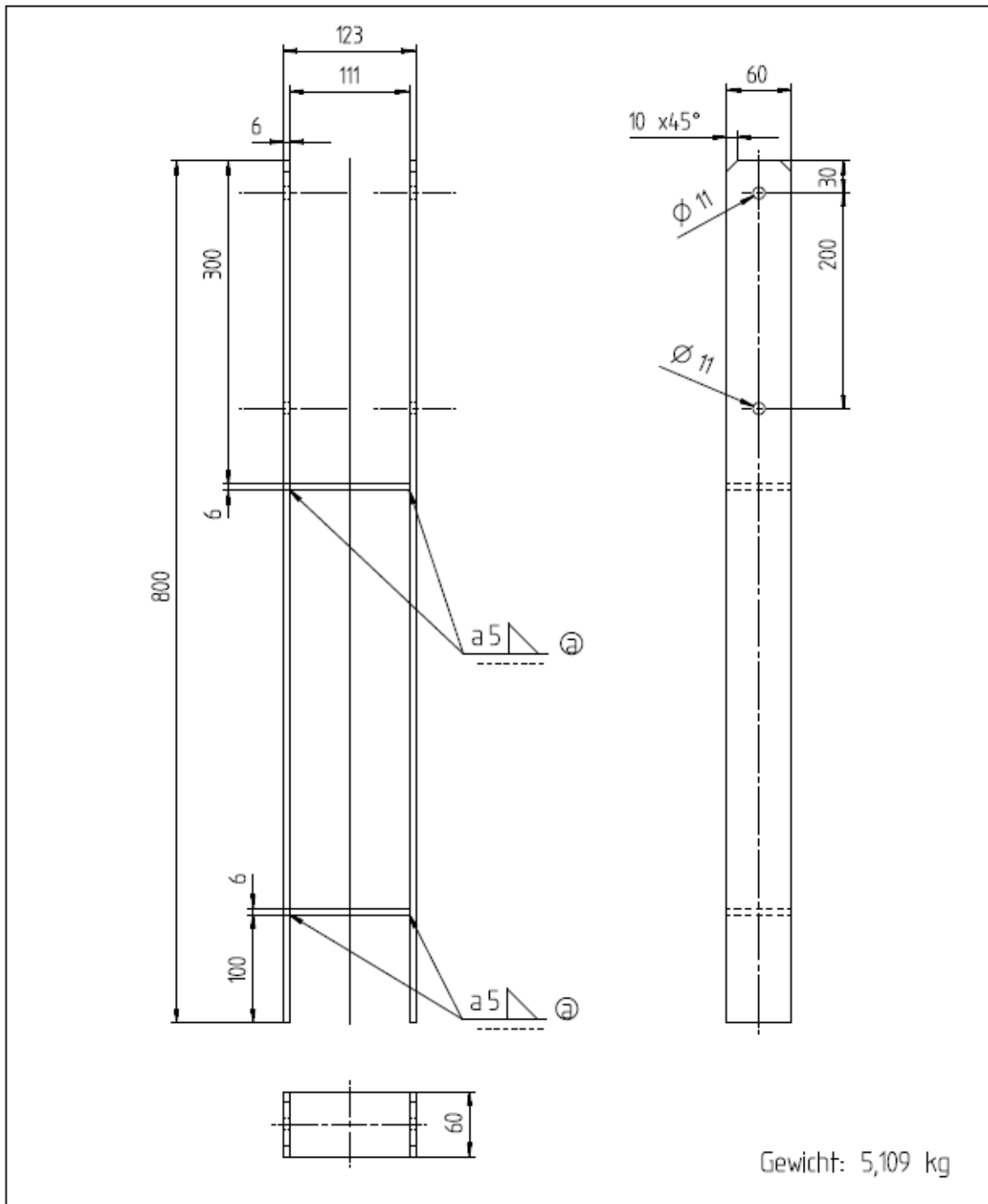
Pos. position	SHK. d.c.	Benennung / description	Zähltraverse drawing number	Bemerkung notes / remarks
		Änderungen nur durch Abhaltung K modifications only from department K	Material / material	S235JR / 1.0037
			Typ N. Tjil-eurbar	Bemerkung / notes / remarks
			581	219901
			Bemerkung / description Postenträger, U-Form Höhen- und weitenverstellbar Post support, U-Shape adjustable in height and width	
Teil name	Änderung / modification	Datum/dates	Name/name	
28.7.09	Hicks			
ISO 2768 mittel	Zul. Abw. acceptance tolerance			
GAH ALBERTS				
Zähltraverse drawing number				Verbin CE
				0581 0110 2





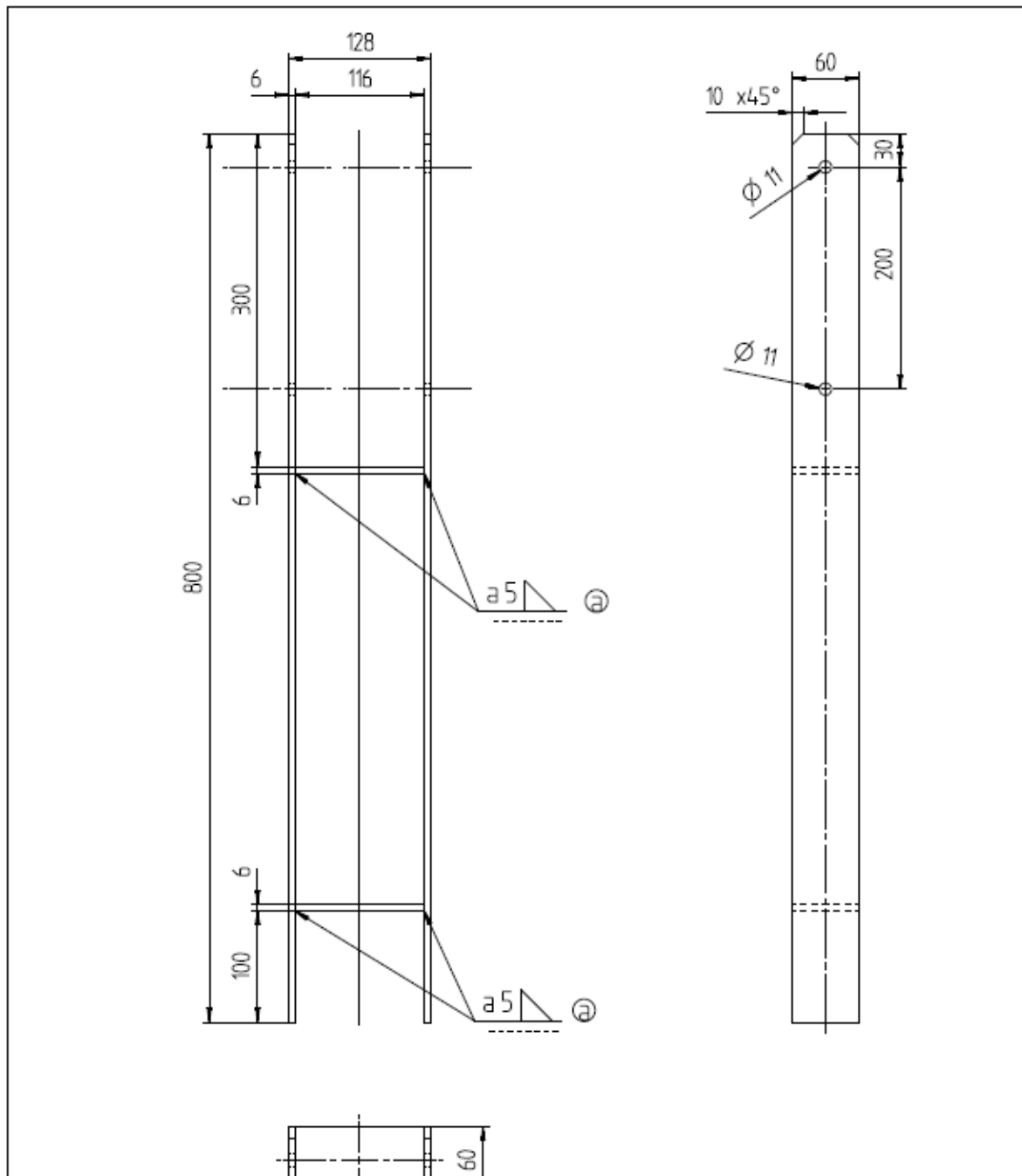
Gewicht: 4,996 kg

Pos. position	Sfck. pc.	Benennung / description		Abmessung dimensions	Zeichnungsnr. drawing number	Bemerkung notes / remarks
Änderungen nur durch Abteilung K modification only from department K				Maßstab scale	Material / material S235JR / 1.0037	
				Typ Nr. typ-number	Bemerkung / notes / remarks	
				655	219925	
Ⓐ	Schweißnaht war a7 und jetzt a5		23.09.2014	Bogdan	Benennung / description	
Zust. condition	Änderung / modification		Datum/date	Name/name	H-Pfostenanker, schwer, 91mm Post support, H-Shape, heavy, 91mm	
	Datum/date	Name/name	Zul. Abw. acceptance tolerance			
Bearb./drawer	28.7.09	Hunka	ISO 2768 mittel			
Gepr. examiner						
Norm/standard						
GAH ALBERTS				Zeichnungsnummer drawing number		Version
				0655 0091 2		CE



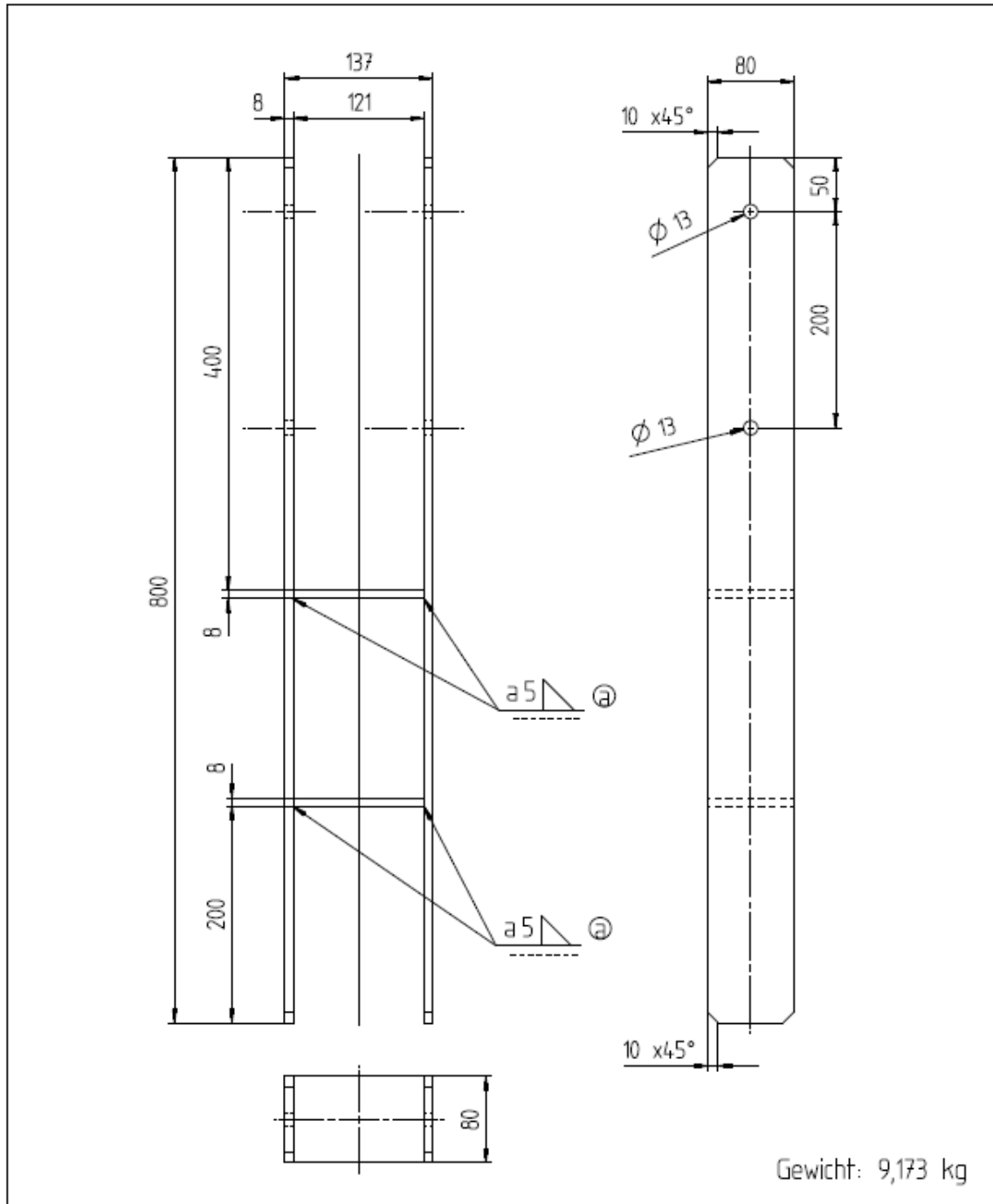
Gewicht: 5,109 kg

Pos. position	Stk. pc.	Benennung / description	Abmessung dimensions	Zeichnungsnr. drawing number	Bemerkung notes / remarks
		Änderungen nur durch Abteilung K modification only from department K		Massstab scale	Material / material S235JR / 1.0037
				Typ Nr. typ-number 655	Bemerkung / notes / remarks 219949
Ⓐ		Schweißnaht war a7 und jetzt a5	23.09.2014	Bogdan	
Zust. condition		Anderung / modification	Datum/date	Name/name	Benennung / description
	Datum/date	Name/name	Zul. Abw. acceptance tolerance		H-Pfostenanker, schwer, 111mm Post support, H-Shape, heavy, 111mm
Bearb./drawer	28.7.09	Hunka	ISO 2768		
Gepr./welder			mittel		
Norm/standard					
GAH ALBERTS				Zeichnungsnummer drawing number 0655 0111 2	Version CE



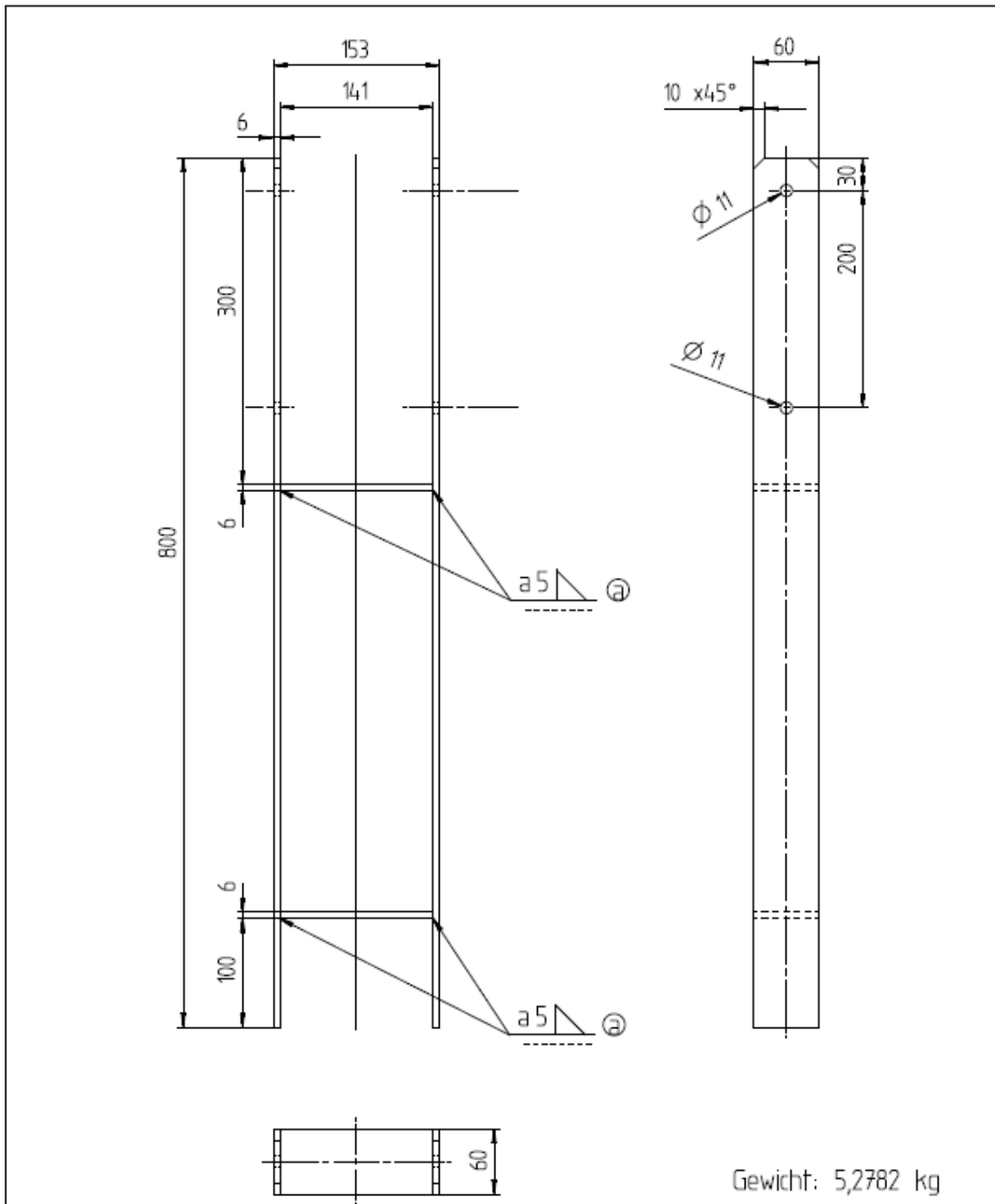
Gewicht: 5,14 kg

Pos. position	Sfck. pc.	Benennung / description		Abmessung dimensions	Zeichnungsnr. drawing number	Bemerkung notes / remarks
Änderungen nur durch Abteilung K modification only from department K				Maßstab scale	Material / material S235JR / 1,0037	
				Typ Nr. typ-number	Bemerkung / notes / remarks	
					655	208417
ⓐ	Schweißnaht war a7 und jetzt a5		Datum/date	Name/name		
Zust. condition	Änderung / modification		Datum/date	Name/name		
Bearb./drawer	Datum/date	Name/name		Zul. Abw. acceptance tolerance ISO 2768 mittel		
Gepr./printer	28.7.09	Hunka				
Norm/standard						
GAH ALBERTS				Zeichnungsnummer drawing number		Version
				0655 0116 2		CE



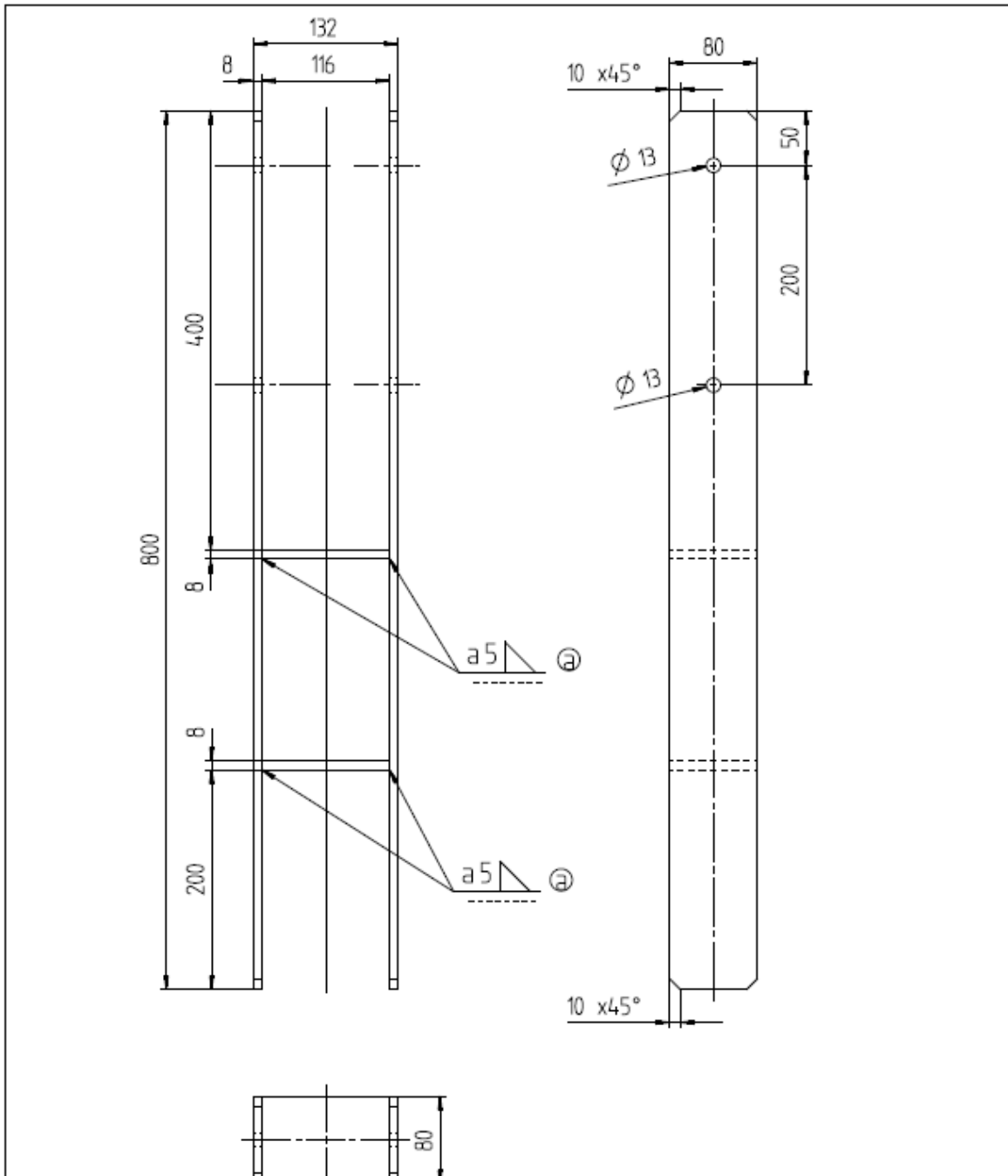
Gewicht: 9,173 kg

Pos. position	Stck. pc.	Benennung / description		Abmessung dimensions	Zeichnungsnr. drawing number	Bemerkung notes / remarks
Änderungen nur durch Abteilung K modification only from department K				Massstab scale	Material / material S235JR / 1.0037	
b	war 205003			Typ Nr. typ-number	665	Bemerkung / notes / remarks 205003
Ⓐ	Schweißnaht war a7 und jetzt a5		23.09.2014	Bogdan	Benennung / description	
Zust. condition	Änderung / modification		Datum/date	Name/name	H-Pfostenanker, schwer, 121mm Post support, H-Shape, heavy, 121mm	
Bearb./drawer	Datum/date	Name/name	Zul. Abw. acceptance tolerance			
Gepr. examiner			ISO 2768			
Norm/standard			mittel			
GAH ALBERTS				Zeichnungsnummer drawing number	0665 0121 2	Version CE



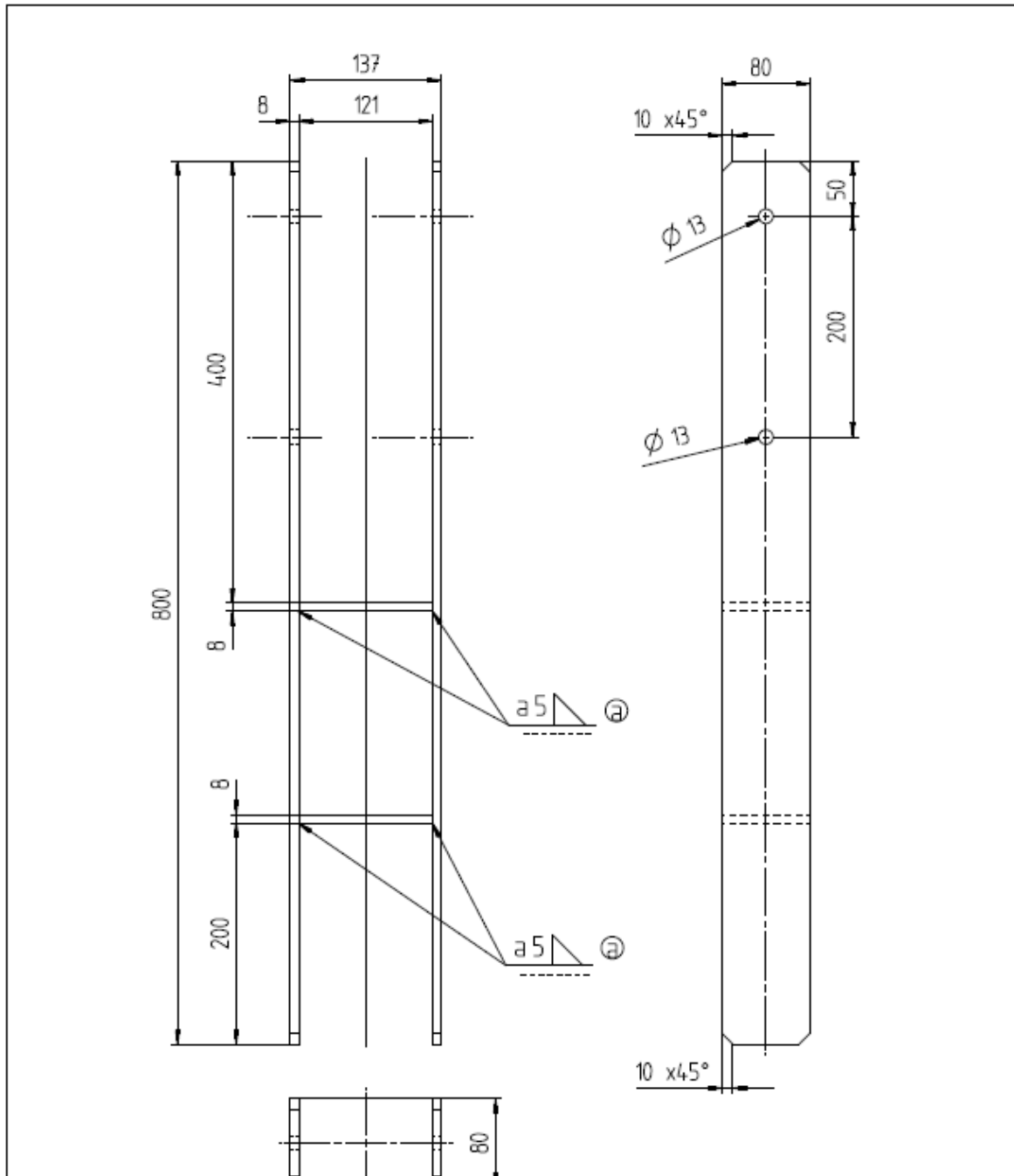
Gewicht: 5,2782 kg

Pos. position	Stk. pc.	Benennung / description		Abmessung dimensions	Zeichnungsnr. drawing number	Bemerkung notes / remarks
Änderungen nur durch Abteilung K modification only from department K				Massstab scale	Material / material S235JR / 1.0037	
b	war 208431			Typ Nr. typ-number	655	Bemerkung / notes / remarks 208431
ⓐ	Schweißnaht war a7 und jetzt a5		23.09.2014	Bogdan	Benennung / description	
Zust. condition	Änderung / modification		Datum/date	Name/name	H-Pfostenanker, schwer, 141mm Post support, H-Shape, heavy, 141mm	
Bearb./drawer	Datum/date	Name/name	Zul. Abw. acceptance tolerance ISO 2768 mittel			
Gezeichnet						
Norm/standard						
GAH ALBERTS				Zeichnungsnummer drawing number	0655 0141 2	Version CE



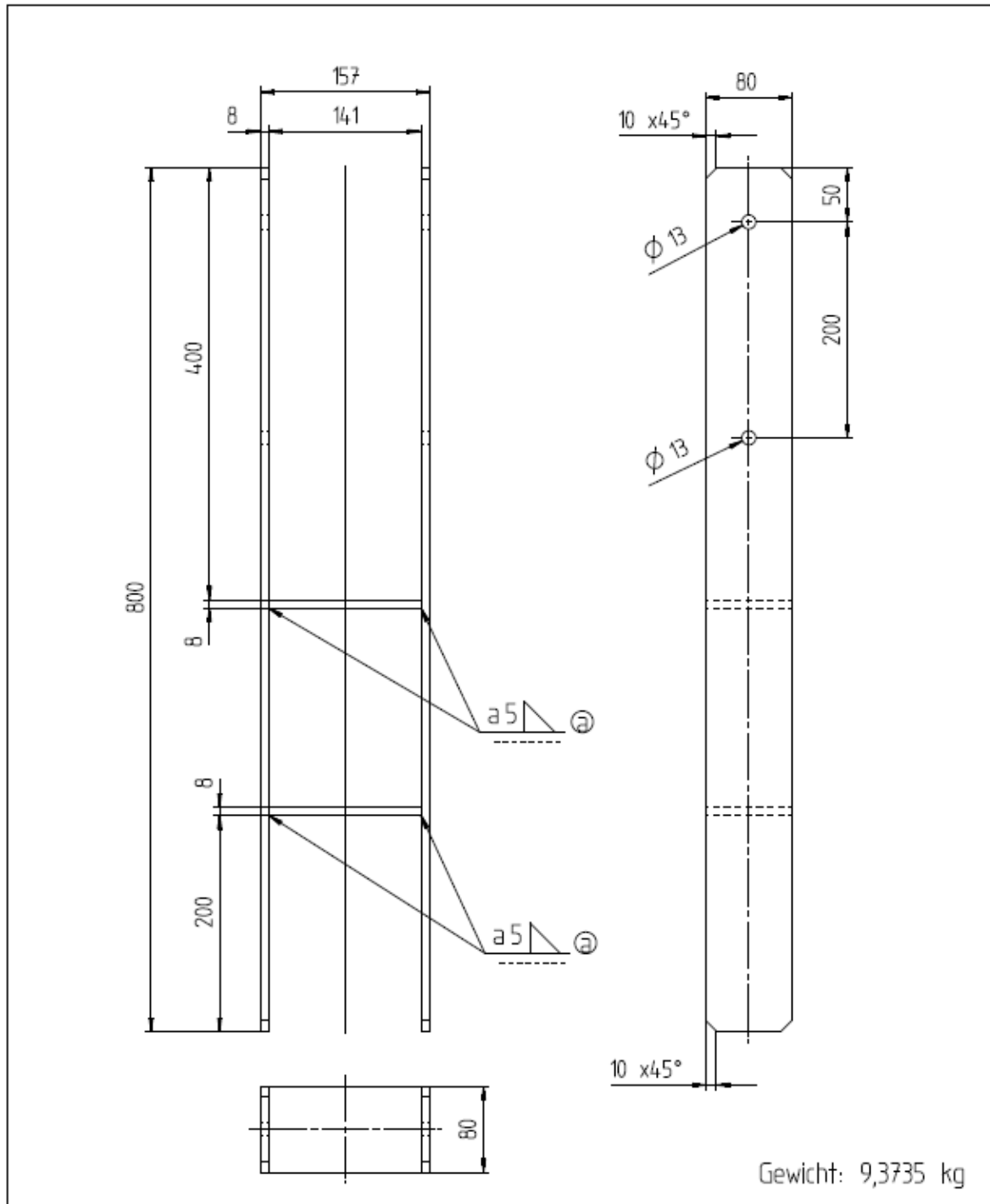
Gewicht: 9,123 kg

Pos. position	Stück. pc.	Benennung / description		Abmessung dimensions	Zeichnungsnr. drawing number	Bemerkung notes / remarks
Änderungen nur durch Abteilung K modification only from department K				Maßstab scale	Material / material	S235JR / 1,0037
b	war 208448			Typ Nr. typ-number	665	Bemerkung / notes / remarks 208448
Ⓐ	Schweißnaht war a7 und jetzt a5	23.09.2014	Bogdan	Benennung / description		
Zust. condition	Änderung / modification		Datum/date	Name/name		
Bearb./drawer	Datum/date	Name/name	Zul. Abw. acceptance tolerance ISO 2768 mittel			
Gepr. examiner	28.7.09	Hunka				
Norm/standard						
GAH ALBERTS				Zeichnungsnummer drawing number	0665 0116 2	Version CE



Gewicht: 9,173 kg

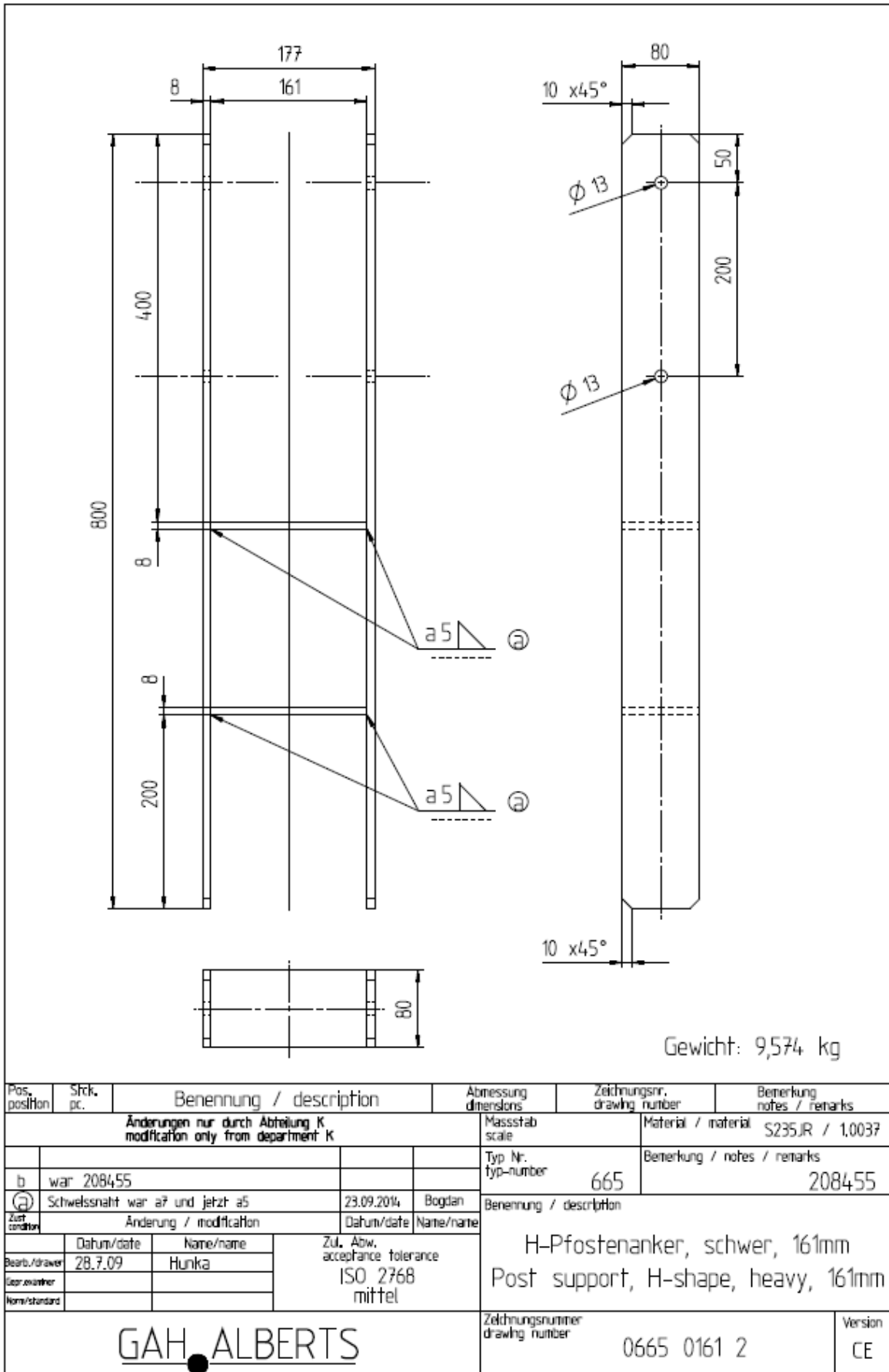
Pos. position	Stk. pc.	Benennung / description		Abmessung dimensions	Zeichnungsnr. drawing number	Bemerkung notes / remarks
Änderungen nur durch Abteilung K modification only from department K				Massstab scale	Material / material	S235JR / 1.0037
b	war 205003			Typ Nr. typ-number	665	Bemerkung / notes / remarks 205003
Ⓐ	Schweißnaht war a7 und jetzt a5	23.09.2014	Bogdan	Benennung / description H-Pfostenanker, schwer, 121mm Post support, H-Shape, heavy, 121mm		
Zust. condition	Änderung / modification		Datum/date	Name/name		
Bearb./drawer	Datum/date	Name/name	Zul. Abw. acceptance tolerance			
Gepr. examiner	28.7.09	Hunka	ISO 2768			
Norm/standard			mittel			
GAH ALBERTS				Zeichnungsnummer drawing number	0665 0121 2	Version CE



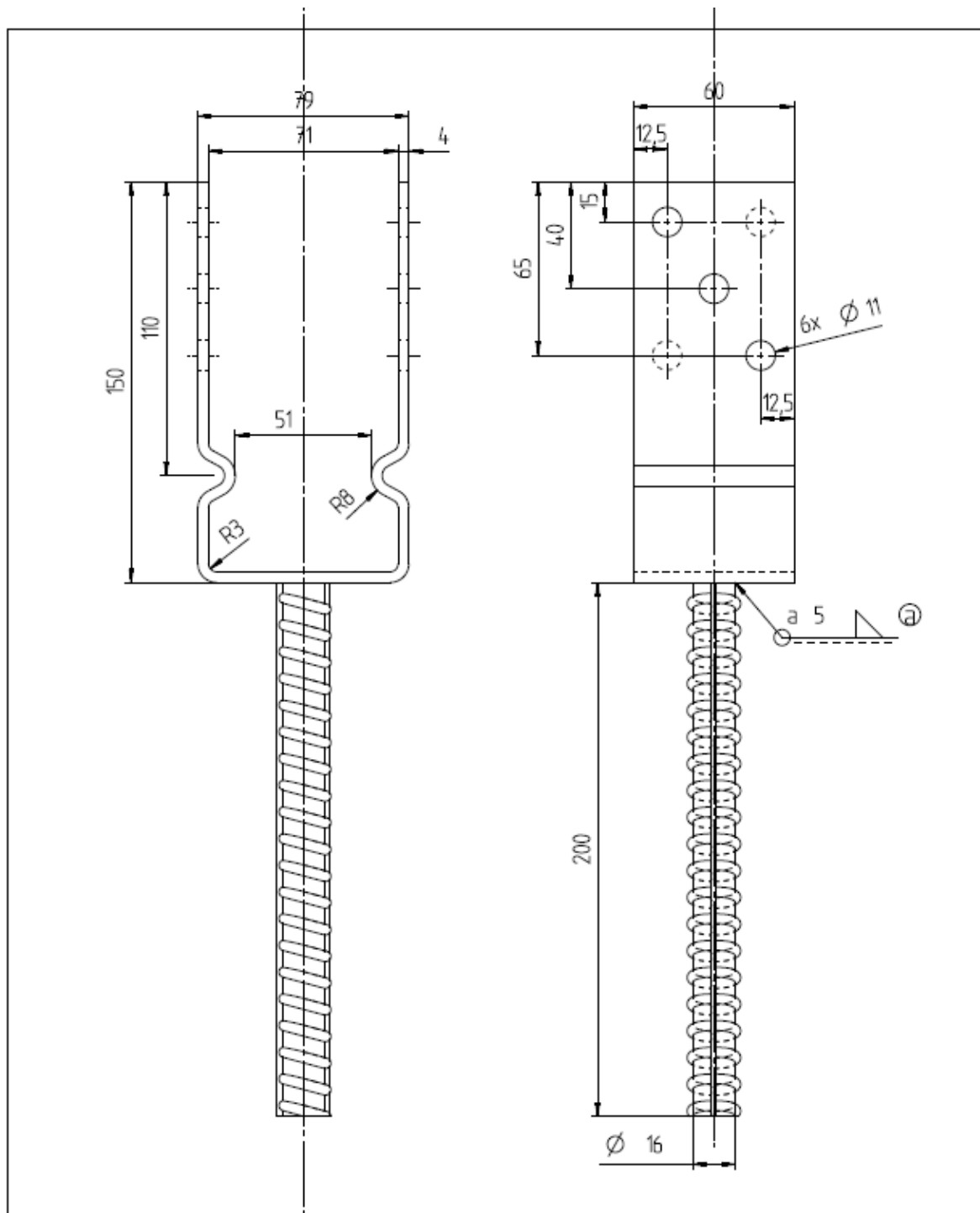
Gewicht: 9,3735 kg

Pos. position	Stck. pc.	Benennung / description	Abmessung dimensions	Zeichnungsnr. drawing number	Bemerkung notes / remarks
		Änderungen nur durch Abteilung K modification only from department K		Massstab scale	Material / material S235JR / 1.0037
b	war 205010			Typ Nr. typ-number 665	Bemerkung / notes / remarks 205010
Ⓐ	Schweissnaht war a7 und jetzt a5	23.09.2014	Bogplan	Benennung / description	
Zust. condition	Änderung / modification		Datum/date	Name/name	
Bearb./drawer	Datum/date 28.7.09	Name/name Hunka	Zul. Abw. acceptance tolerance ISO 2768 mittel		
Gepr. examiner					
Norm/standard					
GAH ALBERTS				Zeichnungsnummer drawing number 0665 0141 2	Version CE

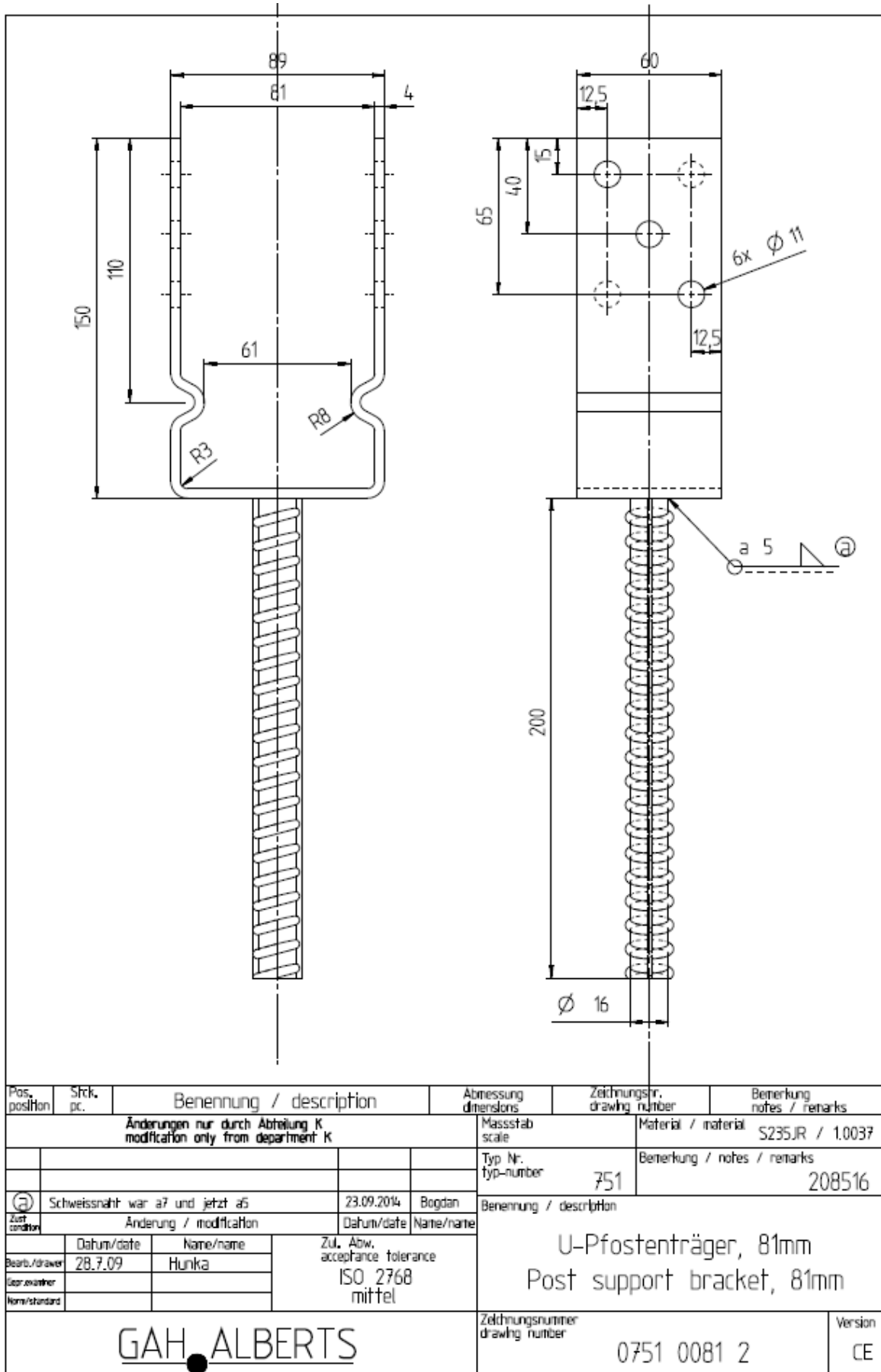
H-Pfostenanker, schwer, 141mm
Post support, H-Shape, heavy, 141mm

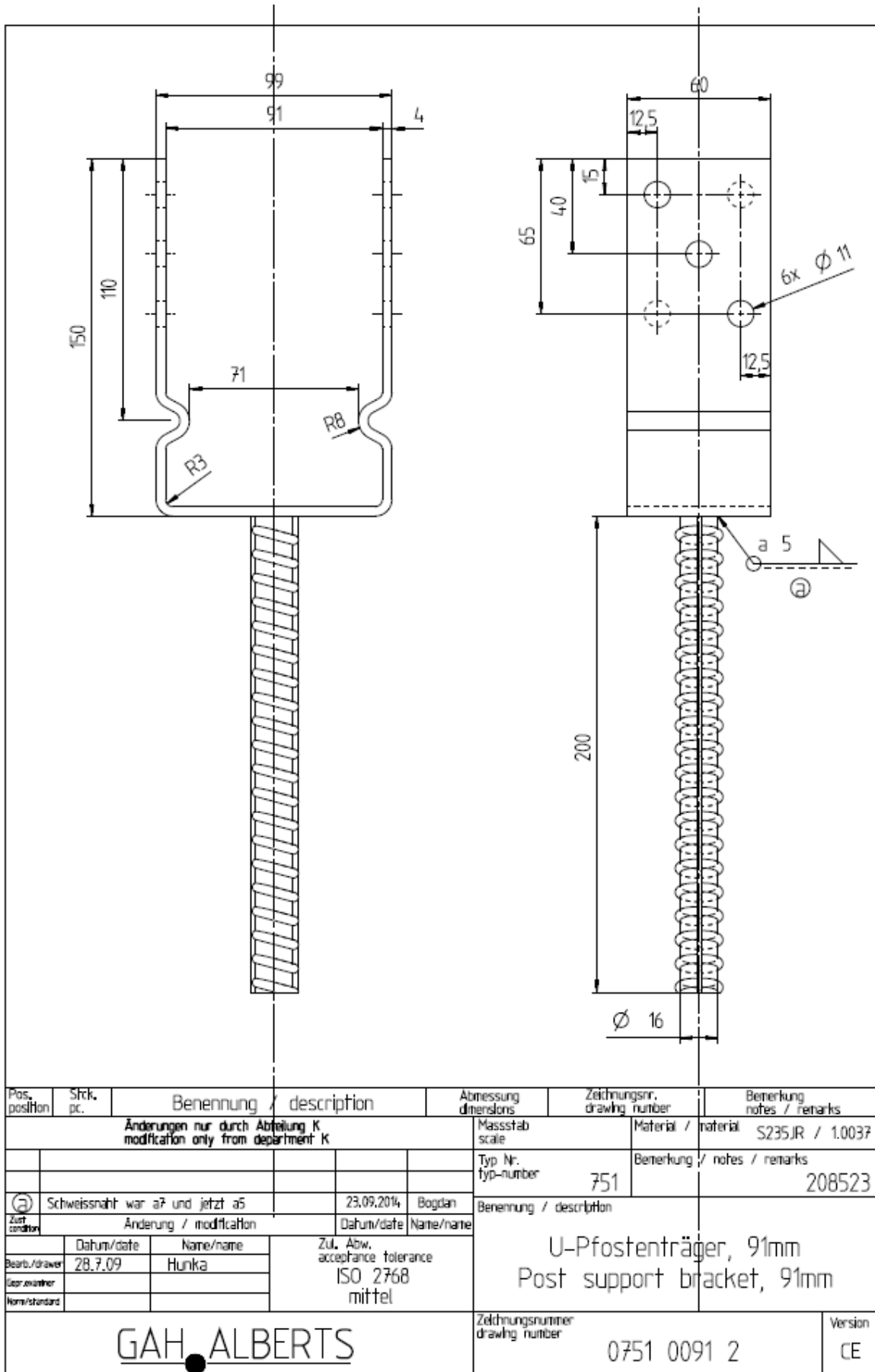


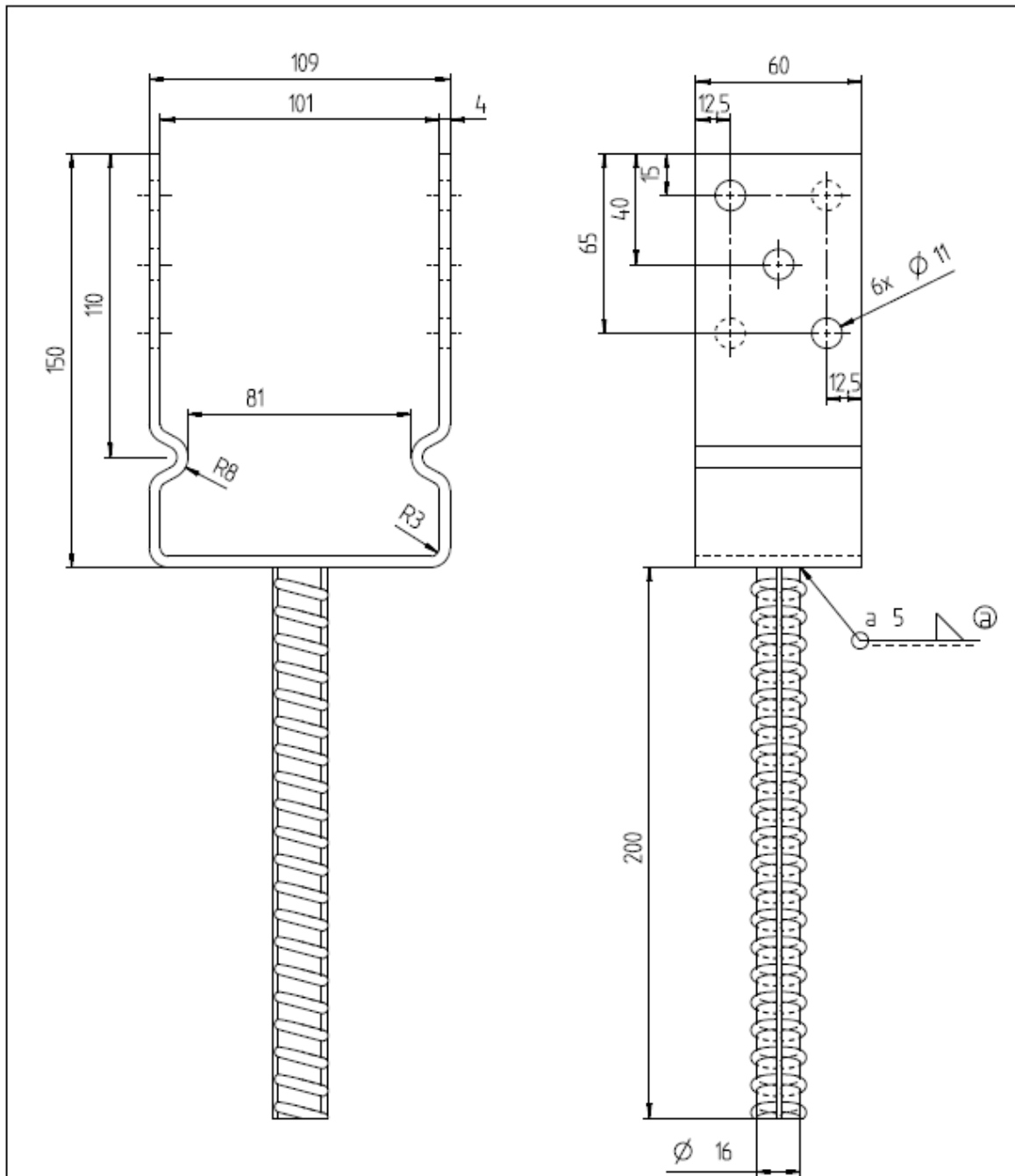
Pos. position	Stk. pc.	Benennung / description	Abmessung dimensions	Zeichnungsnr. drawing number	Bemerkung notes / remarks
Änderungen nur durch Abteilung K modification only from department K			Maßstab scale	Material / material	S235JR / 1,0037
b	war 208455		Typ Nr. typ-number	665	Bemerkung / notes / remarks 208455
ⓐ	Schweißnaht war a7 und jetzt a5	23.09.2014	Bogdan	Benennung / description	
Zust. condition	Änderung / modification		Datum/date	Name/name	
Bearb./drawer	Datum/date	Name/name	Zu. Abw. acceptance tolerance ISO 2768 mittel		
Gepr. examiner	28.7.09	Hunka			
Norm/standard					
GAH ALBERTS				Zeichnungsnummer drawing number	0665 0161 2
				Version	CE



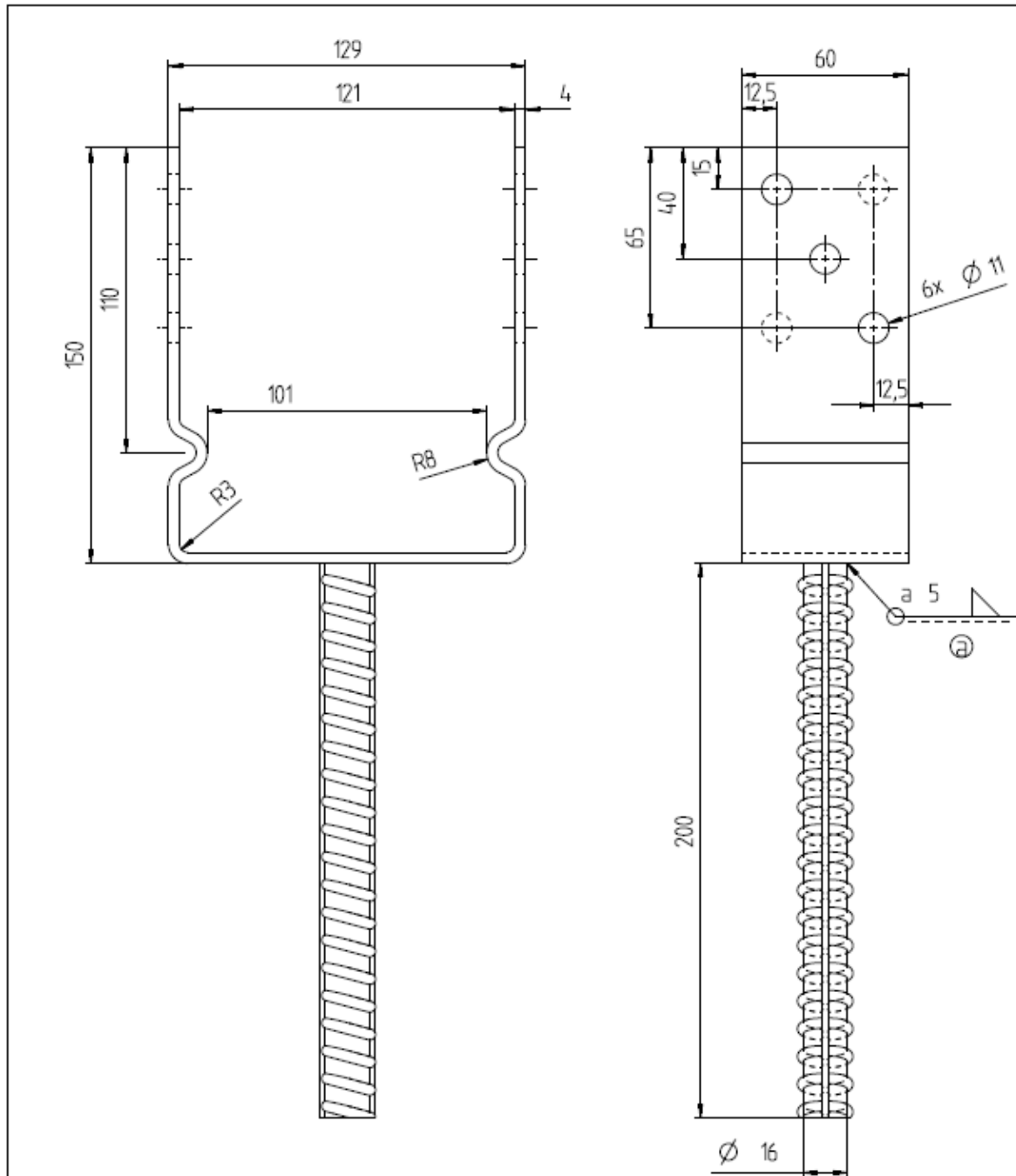
Pos. position	Stk. pc.	Benennung / description		Abmessung dimensions	Zeichnungsnr. drawing number	Bemerkung notes / remarks
		Änderungen nur durch Abteilung K modification only from department K		Massstab scale	Material $\zeta 235JR$ / 1.0037	
				Typ Nr. typ-number	751	Bemerkung / notes / remarks 208509
ⓐ		Schweißnaht war a7 und jetzt a5	23.09.2014	Bogdan	Benennung / description	
Zust. condition	Änderung / modification		Datum/date	Name/name	U-Pfostenträger, 71mm Post support bracket, 71mm	
Bearb./drawer	Datum/date	Name/name	Zul. Abw. acceptance tolerance ISO 2768 mittel			
Gepr. examiner						
Norm/standard						
GAH ALBERTS				Zeichnungsnummer drawing number	0751 0071 2	Version CE







Pos. position	Sfck. pc.	Benennung / description		Abmessung dimensions	Zeichnungsnr. drawing number	Bemerkung notes / remarks
Änderungen nur durch Abteilung K modification only from department K				Massstab scale	Material / material S235JR / 1.0037	
				Typ Nr. typ-number	Bemerkung / notes / remarks	
				751	208530	
Ⓒ	Schweißnaht war a7 und jetzt a5		23.09.2014	Bogdan		
Zust. condition	Änderung / modification		Datum/date	Name/name		
	Datum/date	Name/name	Zul. Abw. acceptance tolerance ISO 2768 mittel			
Bearb./drawer	28.7.09	Hunka				
Gepr. author						
Norm/standard						
GAH ALBERTS				Zeichnungsnummer drawing number	0751 0101 2	
				Version		CE



Pos. position	Stck. pc.	Benennung / description		Abmessung dimensions	Zeichnungsnr. drawing number	Bemerkung notes / remarks
Änderungen nur durch Abteilung K modification only from department K				Massstab scale	Material / material	S235JR / 1.0037
				Typ Nr. typ-number	Bemerkung / notes / remarks	
					751	208547
Zeit condition	Änderung / modification		Datum/date	Name/name		
			23.09.2014	Bogdan		
Bearb./drawer	Datum/date	Name/name	Zul. Abw. acceptance tolerance ISO 2768 mittel			
Gepr. examiner	28.7.09	Hunka				
Norm/standard						
GAH ALBERTS				Zeichnungsnummer drawing number		Version
				0751 0121 2		CE